


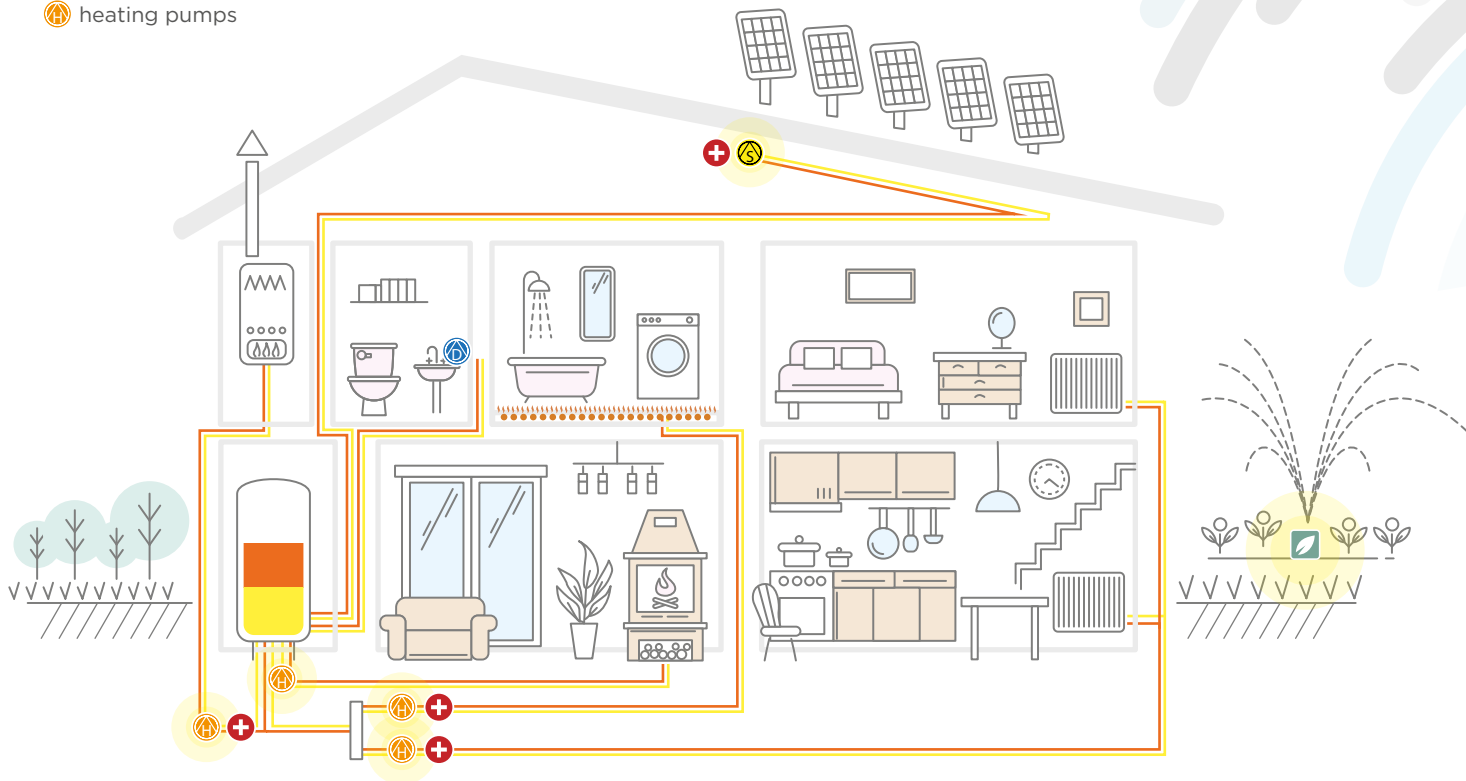






ORIGINAL ONLY WITH THE DIAMOND

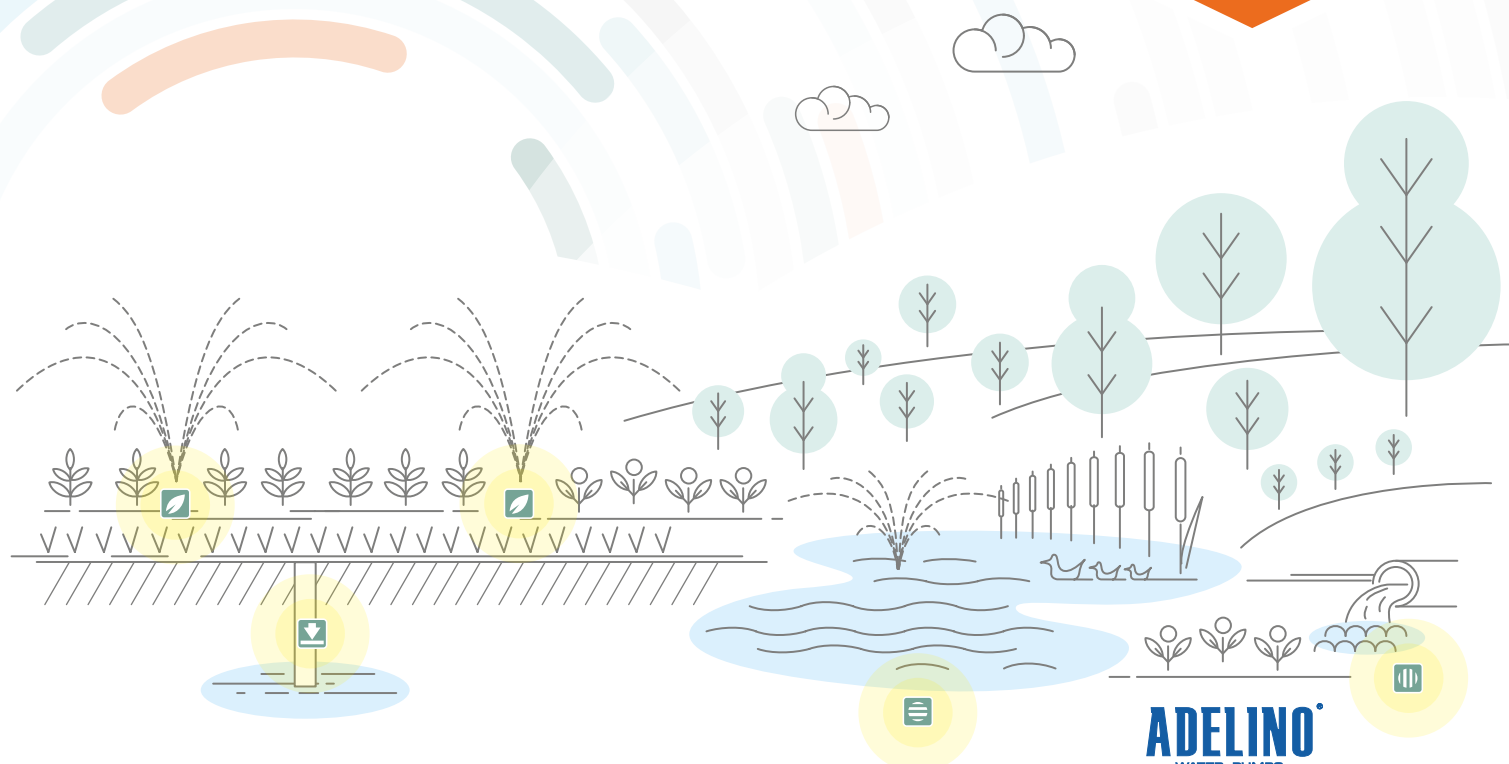


pump technology & more...

-  domestic hot water pumps
-  solar pumps
-  heating pumps



<p>WITA® about us... 5</p> <p>WITA® history 6</p> <p>Quality & Certification 10</p> <p>Sustainability 11</p> <p>Products 12</p>	<p>Pump technology 13</p> <p>  High-efficiency circulation pumps 14</p> <p>WITA go.tec 40 60 70 80 16</p> <p>WITA go.max 40 60 20</p> <p>WITA go.max 80 100 120 21</p> <p>WITA go.future 2 22</p> <p>40 60 LED 23</p> <p>40 60 LCD 24</p> <p>light 40 60 25</p> <p>WITA HE+ go.future 40 50 60 27</p> <p>WITA Delta HE 28</p> <p>35 55 LED 29</p> <p>35 55 LCD 30</p> <p>light 35 55 31</p> <p>WITA Delta 32</p> <p>MIDI 40 MIDI 60 33</p> <p>MAXI 70 34</p> <p>MAXI 80 35</p> <p>TOP 40 TOP 60 36</p> <p>Total overview of high efficiency circulation pumps 38</p> <p> Potable water circulation pumps 40</p> <p>WITA go.future Z+ 42</p> <p>WITA go.future Z 43</p> <p>Replacement overview for circulation pumps 44</p>	<p> and more... 52</p> <p>Pump groups 54-57</p> <p>Solar station 58-59</p> <p>two strand / single strand 58-59</p> <p>Hydraulic switch 60</p> <p>DN 25 - horizontal 60</p> <p>DN 25 DN 32 - vertical 61</p> <p>Manifolds heating circuit manifold 62</p> <p>DN 25 62</p> <p>DN 25 - (LDP) 63</p> <p>DN 32 63</p> <p>Mixing valves 64</p> <p>Minimix 64</p> <p>Maximix 64</p> <p>Heating controllers 68</p> <p>WHC 68</p> <p>WHC + 68</p> <p>Actuators 72</p> <p>WITA - fixed setpoint controller 74</p> <p>SM WR 05 FR / SM WR 06 FR / SM WR 10 FR 72</p> <p>WITA actuator 74</p> <p>SM W05 / W10 / W15 74</p> <p>WITA actuator SM Mini KV 76</p> <p>Sludge separators 82</p> <p>WITA Trap MS 82</p> <p>WITA Trap KS 83</p> <p>WITA Trap Therm 84</p> <p>Product overview 86-105</p>
--	---	---



ADELINO
WATER PUMPS
BY



Adelino by WITA - water pumps 106

Pressure boosting systems

CA600	108
APS55-A	110
APS75-A	110
APS55-C	112
APS75-C	112
APS55-D	114
APS75-D	114

Pressure switch

PS-01	116
PS-01A	116
PS-01B	116
PS-01C	116

Well pumps

3SAm1.8/27-0.75	118
3SAm1.8/33-1.1	118
3SAm2.5/25-1.1	118
4SAm2/8-0.37	120
4SAm2/16-0.75	120
4SAm2/25-1.5	120
4SAm2/28-1.5	120
NAm3/6	122
NAm3/8	122

Submersible pumps

QDX10-12-0.55K3-F	126
QDX1.5-32-0.75K3-F	126

Submersible sewage pump

WVSD55F	128
WVSD75F	128
WVSD110F	128
WVSD150F	128

Garden pumps

HPm203	132
HPm204	132
ACm75	134
ACm75B1.5	136
HSm404	138
AJ55-A	140
AJ75-A	140
AJ110-A	140
AJS55	142
AJS75	142

General terms and conditions

144

**WITA® provides smart solutions...
in various high-efficiency areas of heating,
domestic hot water and solar technology.**

From Germany & Poland, through our logistic network, we distribute WITA® products worldwide and offer high-tech and sophisticated design from a single source.



around the world



5-years warranty



comprehensive support



WITA® - about us...

The **WITA®** mission is - to provide smart solutions...
in various high-efficiency areas of heating, domestic hot water
and solar technology.

WITA® targets to become innovation leader on HVAC market,
continuously exploring & implementing technology expertise
into WITA® products.

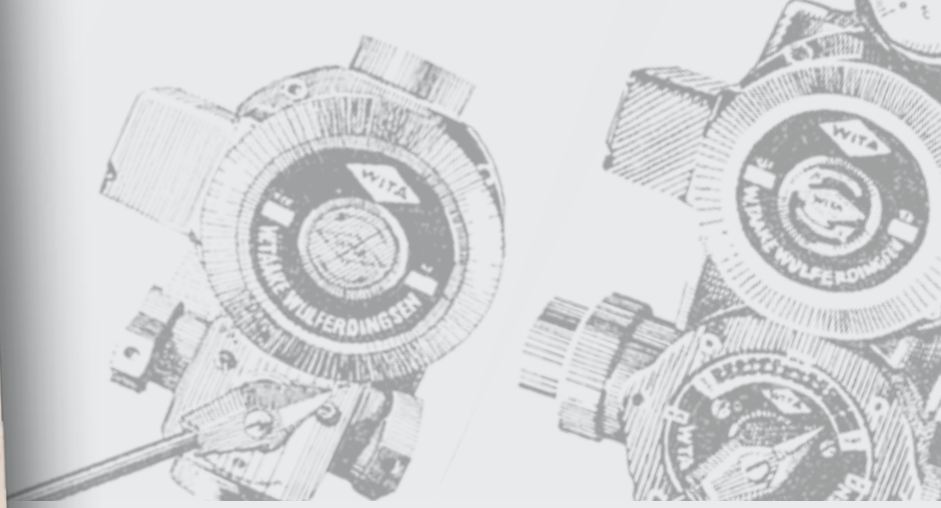


WITA®
pump technology and more...



" **WITA**® stands not only for the initials of my name Wilhelm Taake, **WITA**® means all of all, **W**ise chosen values in business, **I**nnovation, **T**eam orientation and **A**uthenticity."

Wilhelm Taake



01.01.1961

WITA® first price-list was published

1973

Development of the WITA® R-series circulation pump with adjustable flow cone



since 1961

In 1961, Wilhelm Taake founded the company WITA® in Bad Oeynhausen, based in Germany, which specialised in the manufacture of circulation pumps.

1961-2000

Manufacture and sale focused on heating fittings, drive and mixing technology.

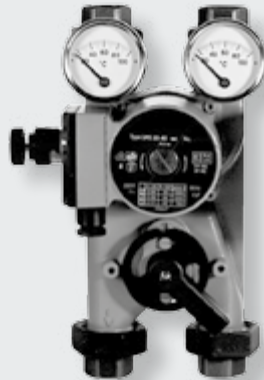


WITA



1980

Development of the WITA[®] actuator for WITA[®] flange mixers



1988

Market launch of pump groups WITA[®] Bloc T20 + T40 + T60



1997

WITA[®] own brand circulation pump was created





2009

2012

2017

2018

2019

The first WITA® high- efficiency pumps come onto the market

WITA® first domestic hot water pumps were developed

Registration of the trademark WITA® ORIGINAL ONLY WITH THE DIAMOND

ORIGINAL ONLY WITH THE DIAMOND



The new generation of the high-efficiency pump go.future 2 from WITA® was launched on the market

WITA® extends it's range by actuator sector, introducing the new actuator of SM W series

Plant expansion in Poland



2000-2024

Development and sale focused on high-efficiency smart circulation pumps and new development of Adelino water pumps.



2020

WITA® first OEM pumps introduction



2021

WITA® new domestic potable water circulation pumps go.future Z/Z+ were released

ADELINO by WITA® - Industrial-, house- & garden pumps range introduction



2023

Market launch of go.tec pumps with a new motor technology



2024

Market launch of go.max

ADELINO
WATER PUMPS
BY



60

2021

WITA® is celebrating 60 years



Quality & Certification

The highest quality standards, reflection and efficiency of modern manufacturing methods are always in the foreground of our company philosophy. This is why we can look back on decades of cooperation between SHK (sanitary, heating and air conditioning industry) and wholesalers. Due to the high quality we grant a 5 year warranty on our WITA® - products.

Through uncompromising standards for high quality, combined with numerous applications of our pumps, we are able to offer our customers the optimal solution for almost every application.

WITA® R&D department is continuously working on new, innovative solutions for our customers.

WITA® pumps are certified by TUV Rheinland and our quality management system is certified according to EN ISO 9001: 2015.

We are also proud to be rewarded by Quality Leader Consumer program in the market category of circulation pumps. This stated the power of the WITA® brand for our consumers.





Sustainability

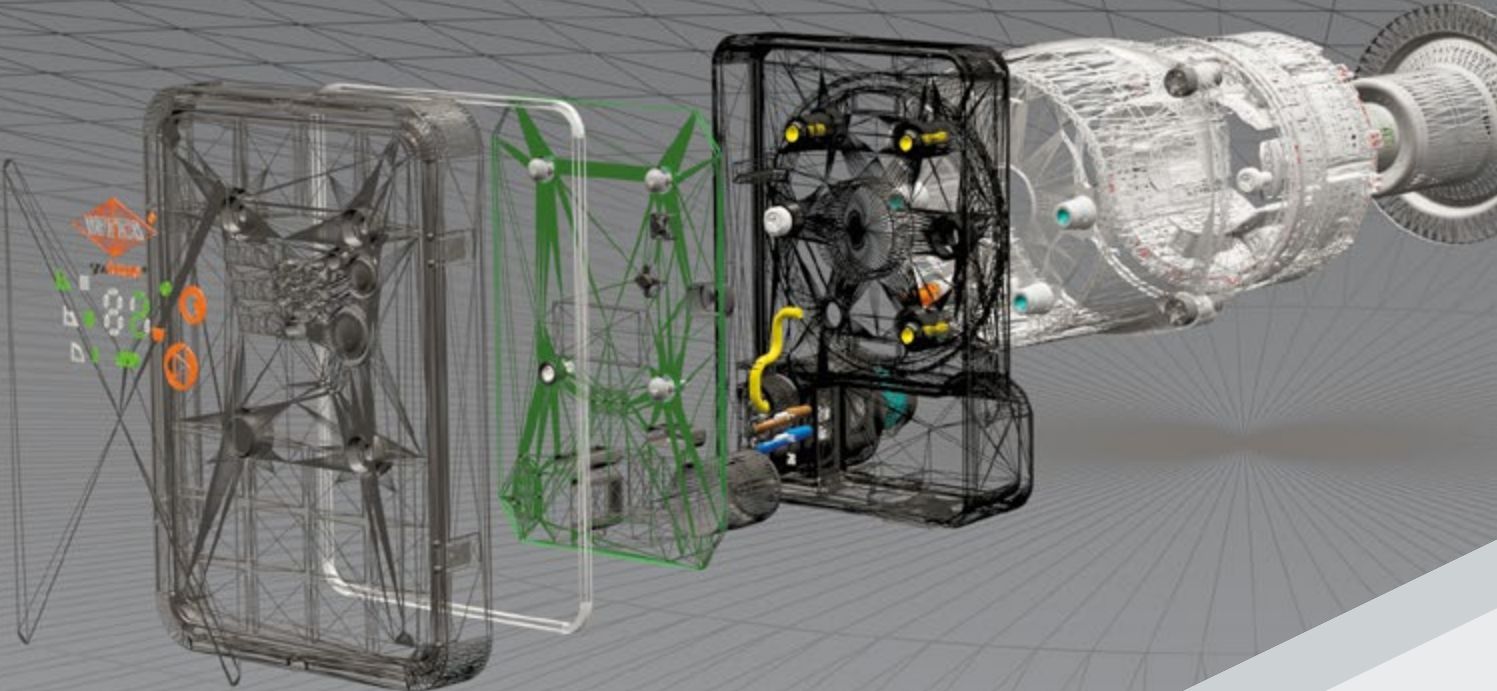
WITA® believes that continuous innovation is the only way to create the sustainable development of our products and environment.

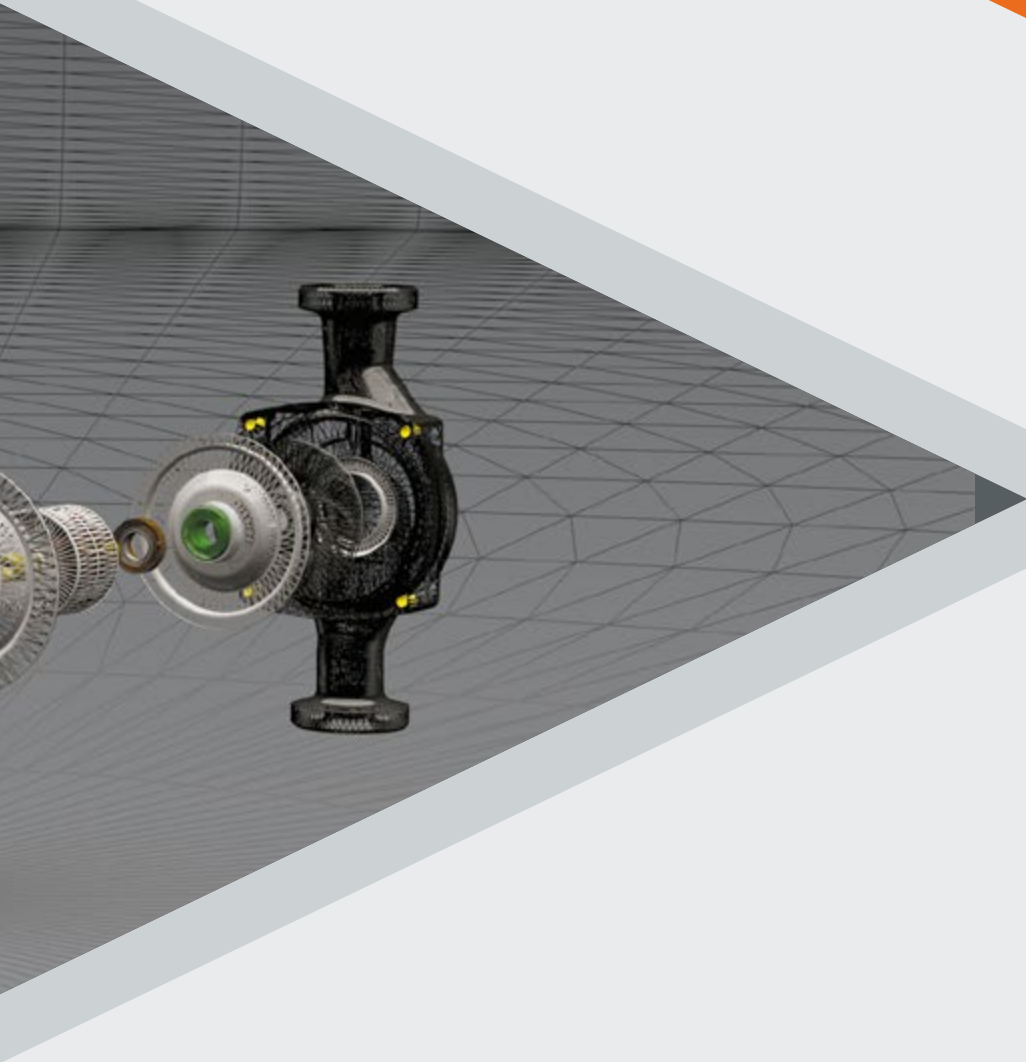
Our high-efficiency pumps are used in modern green technologies as solar systems or heat pumps. Ecologically produced heat is a concreted contribution to environmental protection by reducing CO2 emission.

Thanks to continuous R&D, we create the smart solutions dedicated to sustainable needs of our customers.



Products





Pump technology

High-efficiency circulation pumps

Page 14

Potable domestic hot water circulation pumps

Page 40

In accordance with EU regulations, WITA® supplies all high-efficiency pumps with insulation.

High-efficiency circulation pumps



Product advantages:

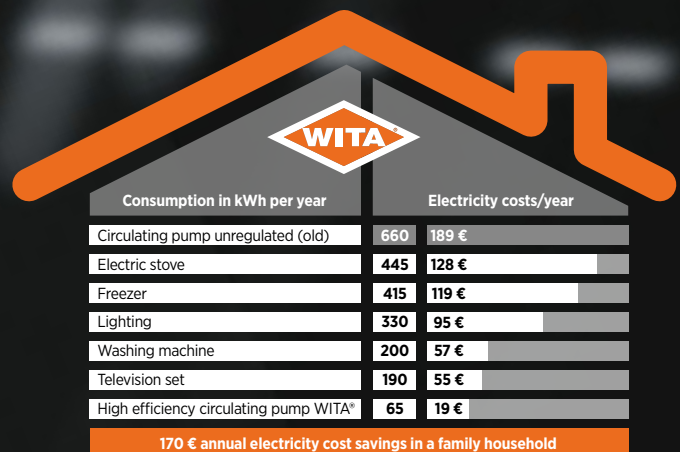
- Maximum efficiency thanks to ECM-Technology
- Integrated motor protection
- Versatile range of applications due to cathodolysis-coated grey cast iron pump housings
- WITA® high-efficiency pump heads are backwards compatible with most previous series



WITA go.tec 40 60 70 80	16
WITA go.max 40 60	20
80 100 120	21
WITA go.future 2 40 60 LED	23
40 60 LCD	24
light 40 60	25
WITA HE+ go.future 40 50 60	27

WITA® is focusing on high-performance product development. Due to the constantly increasing energy costs and its enormous consumption of the uncontrolled 3 stage pumps, a replacement by a highly efficient circulating pump is absolutely recommended.

Depending on the purchase and installation costs, the WITA® high-efficiency pump already pays off after 2-3 years due to the power savings.





go.tec H
heating




go.tec S
solar



go.tec G
heat pumps



-  go.tec H heating
-  go.tec S solar
-  go.tec G heat pumps

EEI
≤ 0.21



WITA go.tec

40 | 60 | 70 | 80

Product advantages

- 5 years warranty
- Smart Adapt
- Anti-block function
- Venting function
- Button lock
- Available:
 - PWM1 mode for heating
 - PWM2 mode for solar

Technical data

	40	60	70	80	Art. no. page: 86
Maximum delivery head	4 m	6 m	7 m	8 m	
Maximum flow rate	2600 l/h	3500 l/h	4000 l/h	4500 l/h	
Power consumption	4-25 W	4-45 W	4-65 W	4-80 W	
Regulation	3 constant speed modes 3 constant pressure characteristics 3 proportional pressure modes				
Additional functions	Anti-block function, venting function, button lock				
Supply voltage	1 x 230 V, 50 Hz				
Emission sound	< 43 dB (A)				
Motor protection	no external motor protection required				
Protection rating	IP44				
Ambient temperature	0 °C to 60 °C				
Media temperature	-10 °C to + 110 °C				
Temperature class	TF 110 according to EN 60335-2-51				
Maximum system pressure	1.0 MPa 10 bars				
Connection sizes	DN 15, DN 25, DN 32				
Installation lengths	130 mm, 180 mm				
Pump housing material	grey cast iron cataphoresis coated; stainless steel				
Weight incl. insulation	1.8 kg				
EEI	40 ≤ 0.19 60 ≤ 0.20 70 ≤ 0.21 80 ≤ 0.21				


Delivery without PWM cable, if needed please order it separately.
Look page 86

go.tec 40 | 60 | 70 | 80

multiple applications

 heating

 solar

 heat pumps

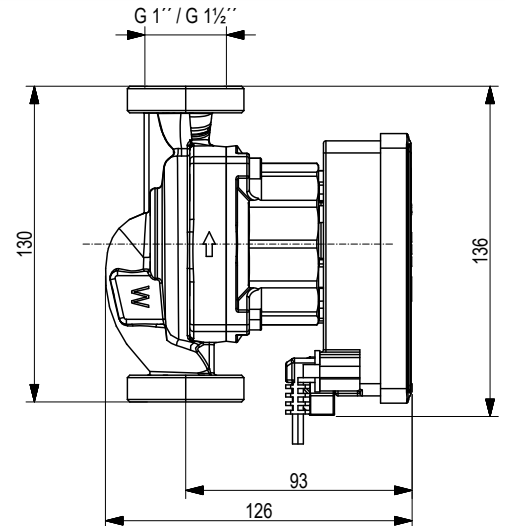
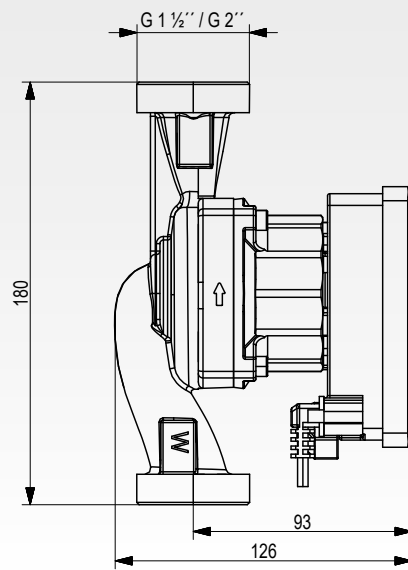


neodymium magnet
- high efficiency

PWM and power
connector

compact,
lightweight
construction

easy operation
SMART Adapt
function



All product dimensions are presented in mm.



Available PWM
and power cable lengths: 1, 2, 3, 4 m
(incl. 1 m power cable)

(details on page 86)



Product movie

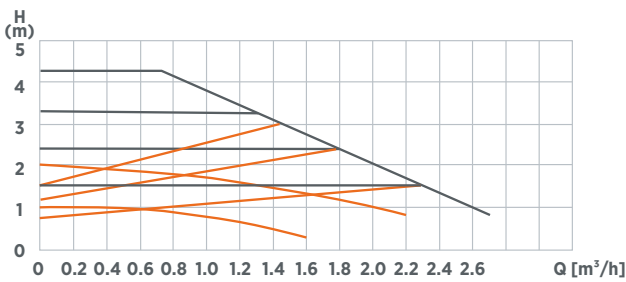


Display of
current mode

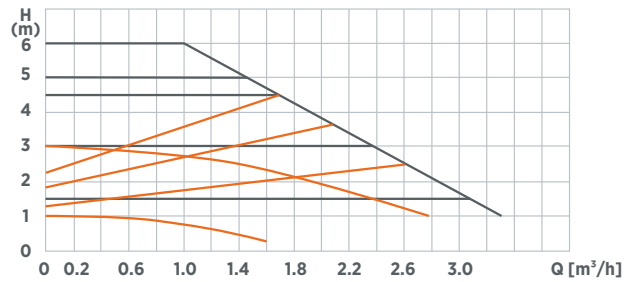
Selection button



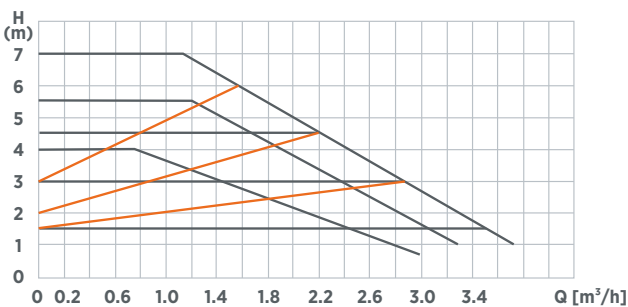
Characteristic WITA go.tec 40



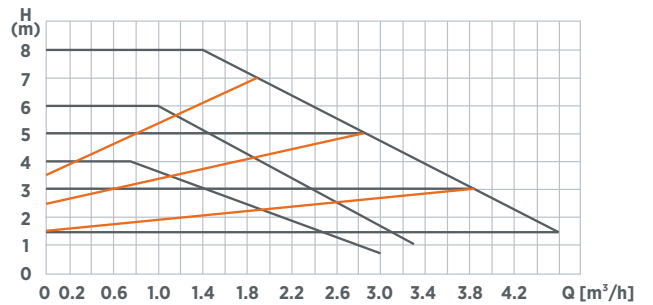
Characteristic WITA go.tec 60



Characteristic WITA go.tec 70



Characteristic WITA go.tec 80





EEI
≤ 0.19



WITA go.max 40 | 60

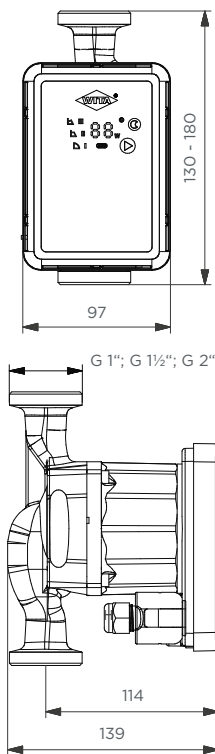
Product advantages

- 5 years warranty
- SmartAdapt function
- LED display of energy consumption
- Night setback mode in minimum speed level
- Button lock
- Anti-block function

Technical data

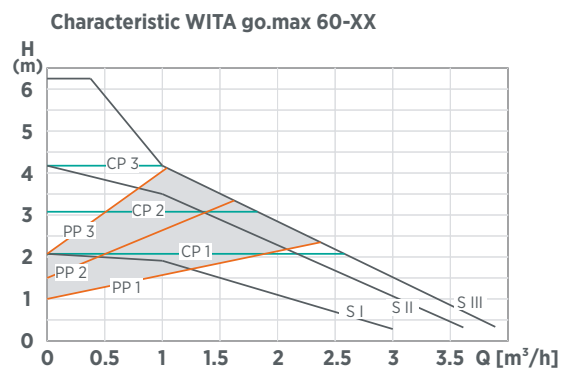
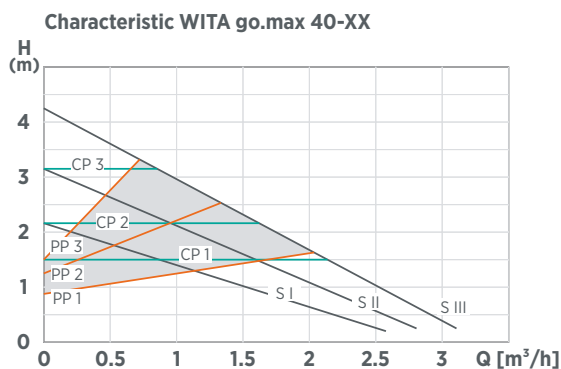
| 40 | 60

Art. no.
page: 87



Maximum delivery head	4 m 6 m
Maximum flow rate	2600 l/h 3400 l/h
Power consumption	3-23 W 4-43 W
Regulation	3 constant speed modes, 3 constant pressure characteristics, 3 proportional pressure modes
Additional function	Smart Adapt, automatic night mode
Supply voltage	1 x 230 V 50 Hz
Motor protection	no external motor protection required
Emission sound pressure level	< 43 dB(A)
Protection rating	IP44
Ambient temperature	0 °C to 40 °C
Media temperature	2 °C to 95 °C
Temperature class	TF 95
Max. system pressure	10 bar (1 MPa)
Connection sizes	DN 15, DN 25, DN 32
Installation lengths	130 mm, 180 mm
Permitted pumped media	heating water according to VDI 2035 water/glycol mixture 1:1
Weight incl. insulation	2.4 kg
EEI	≤ 0.19

All product dimensions are presented in mm.





EEL
≤0.23



WITA go.max

80 | 100 | 120

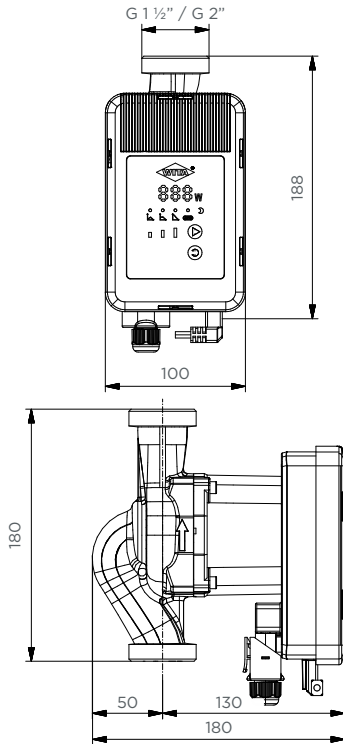
Product advantages

- 5 years warranty
- SmartAdapt function
- LED display of energy consumption
- Automatic night mode
- Anti-block function
- PWM external control for heating and solar available

Technical data

| 80 | 100 | 120

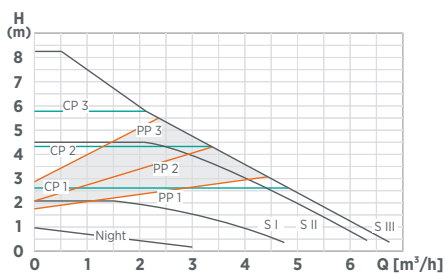
Art. no.
page: 87



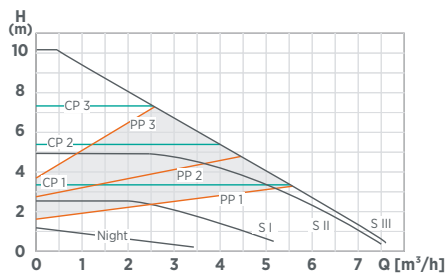
All product dimensions are presented in mm.

Maximum delivery head	8 m 10 m 12 m
Maximum flow rate	6 600 l/h 7 600 l/h 8 600 l/h
Power consumption	80 W 120 W 180 W
Regulation	3 constant speed modes, 3 constant pressure characteristics, 3 proportional pressure modes,
Additional function	Smart Adapt, automatic night mode
Supply voltage	1 x 230 V, 50 Hz
Motor protection	no external motor protection required
Protection rating	IP44
Ambient temperature	0 °C to 40 °C
Media temperature	2 °C to 110 °C
Temperature class	TF 110 according to EN 60335-2-51
Max. system pressure	1.0 MPa 10 bar
Connection sizes	DN 25, DN 32
Installation lengths	180 mm
Pump housing material	grey cast iron cataphoretic coated
Weight incl. insulation	3.1 kg
EEL	≤ 0.23
Additional options	also available as PWM version

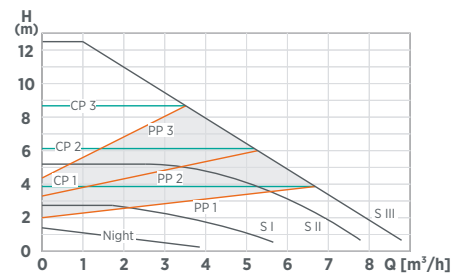
Characteristic WITA go.max 80-XX



Characteristic WITA go.max 100-XX



Characteristic WITA go.max 120-XX





go.future 2



WITA
go.future

go.future 2 light

selection button

constant speed mode, proportional pressure mode

- minimum operating level
- proportional pressure mode
- constant pressure characteristics
- constant speed mode

WITA
go.future

go.future 2 LCD

16.9 W

power consumption and current mode

selection button

- minimum operating level
- proportional pressure mode
- constant pressure characteristics
- constant speed mode

WITA
go.future

go.future 2 LED

power consumption and current mode

selection button



EEI
≤0.20



WITA

go.future 2

40 | 60 LED

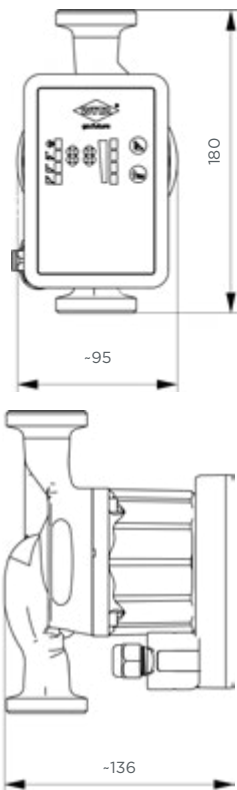
Product advantages

- 5 years warranty
- Night setback mode in minimum speed level
- LED display of power consumption
- Venting function
- Button lock
- Anti-block function
- Also available as PWM (solar/heating) and 0-10 V version

Technical data

| 40 | 60

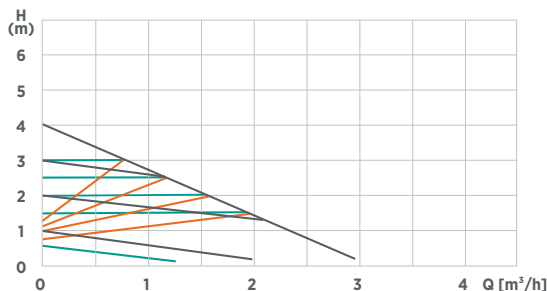
Art. no.
page: 88 - 89



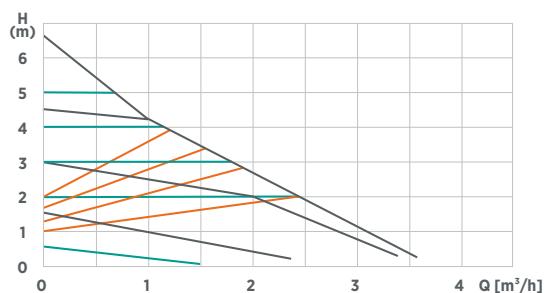
Maximum delivery head	4 m 6 m
Maximum flow rate	2800 l/h 3600 l/h
Power consumption	3-23 W 3-41 W
Regulation	4 constant speed modes, 4 proportional pressure modes, 4 constant pressure characteristics
Additional functions	minimum operation function / manual night setback, automatic night setback, LED display of characteristics, venting function, button lock, anti-block function
Supply voltage	1 x 230 V, 50 Hz
Motor protection	no external motor protection required
Protection rating	IP 42
Ambient temperature	0 °C to +40 °C
Media temperature	+5 °C to +110 °C
Temperature class	TF 110 according to EN 60335-2-51
Maximum system pressure	10 bar (1 MPa)
Connection sizes	DN 15, DN 20, DN 25, DN 32
Installation lengths	110 mm, 130 mm, 180 mm
Pump housing material	130 mm, 180 mm in grey cast iron cataphoresis coated; 110 mm, 130 mm in brass
Weight incl. insulation	2.5 kg
EEI	40 ≤ 0,18 60 ≤ 0,20
Additional option	also available as PWM and 0-10 V version

All product dimensions are presented in mm.

Characteristic WITA go.future 2- 40 LED



Characteristic WITA go.future 2- 60 LED





EEI
≤0.20



WITA

go.future 2

40 | 60 LCD

Product advantages

- 5 years warranty
- Night setback mode in minimum speed level
- Venting function
- Button lock
- Anti-block function
- Also available as PWM (solar/heating)

Technical data

| 40 | 60

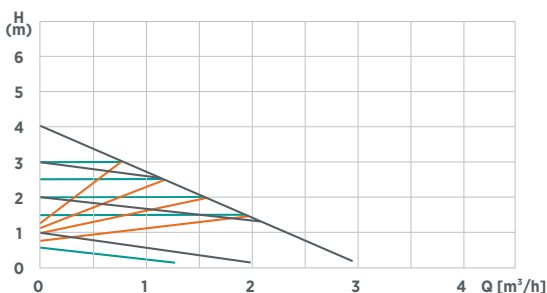
Art. no.
page: 90 - 91



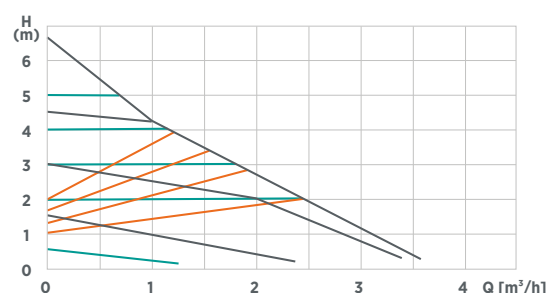
Maximum delivery head	4 m 6 m
Maximum flow rate	2800 l/h 3600 l/h
Power consumption	3-23 W 3-41 W
Regulation	4 constant speed modes, 4 proportional pressure modes, 4 constant pressure characteristics
Additional functions	minimum operation function / manual night setback, automatic night setback LCD display of power consumption, venting function button lock, Anti-block function
Supply voltage	1 x 230 V, 50 Hz
Motor protection	no external motor protection required
Protection rating	IP 42
Ambient temperature	0 °C to +40 °C
Media temperature	+5 °C to +110 °C
Temperature class	TF 110 according to EN 60335-2-51
Maximum system pressure	10 bar (1 MPa)
Connection sizes	DN 15, DN 20, DN 25, DN 32
Installation lengths	110 mm, 130 mm, 180 mm
Pump housing material	130 mm, 180 mm in grey cast iron cataphoresis coated; 110 mm, 130 mm in brass
Weight incl. insulation	2.5 kg
EEI	40 ≤ 0,18 60 ≤ 0,20
Additional option	also available as PWM version

All product dimensions are presented in mm.

Characteristics WITA go.future 2 - 40 LCD



Characteristics WITA go.future 2 - 60 LCD





EEI
≤0.20



WITA

go.future 2

light 40 | 60

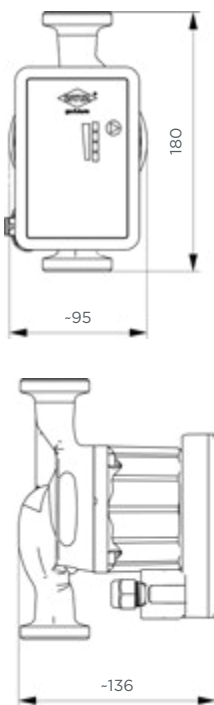
Product advantages

- 5 years warranty
- LED display of characteristics
- Anti-block function
- Venting function
- Button lock
- Also available as PWM (solar/heating)

Technical data

| 40 | 60

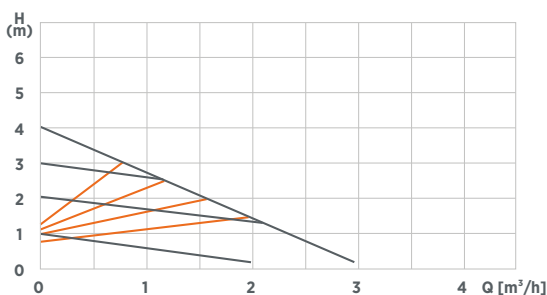
Art. no.
page: 91 - 92



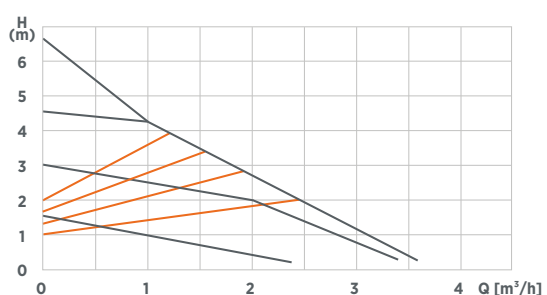
Maximum delivery head	4 m 6 m
Maximum flow rate	2600 l/h 3200 l/h
Power consumption	3-23 W 3-38 W
Regulation	4 constant speed modes 4 proportional pressure modes
Additional functions	LED display of characteristics, Anti-block function, venting function, button lock
Supply voltage	1 x 230 V, 50 Hz
Motor protection	no external motor protection required
Protection rating	IP 42
Ambient temperature	0 °C to +40 °C
Media temperature	+5 °C to +110 °C
Temperature class	TF 110 according to EN 60335-2-51
Maximum system pressure	10 bar (1 MPa)
Connection sizes	DN 15, DN 20, DN 25, DN 32
Installation lengths	110 mm, 130 mm, 180 mm
Pump housing material	130 mm, 180 mm in grey cast iron cataphoresis coated; 110 mm, 130 mm in brass
Weight incl. insulation	2.1 kg
EEI	40 ≤ 0,18 60 ≤ 0,20
Additional option	also available as PWM version

All product dimensions are presented in mm.

Characteristic WITA go.future 2 - light 40

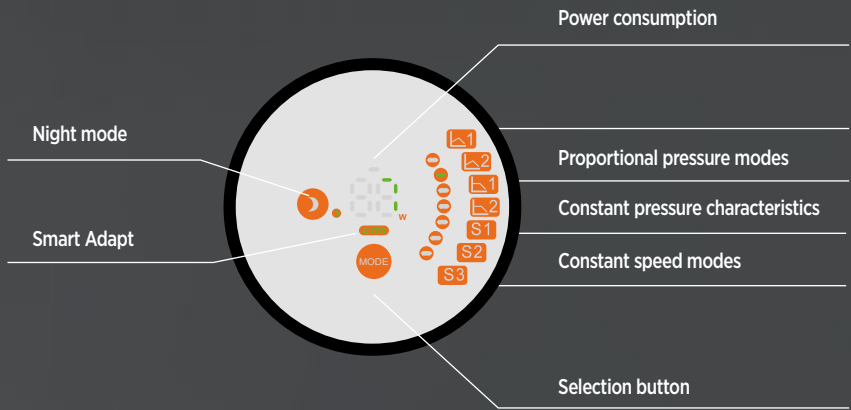


Characteristic WITA go.future 2 - light 60





HE+ go.future





WITA

HE+ go.future

| 40 | 50 | 60

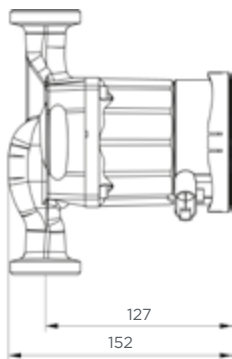
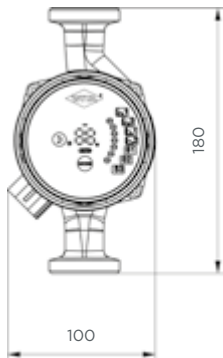
Product advantages

- 5 years warranty
- Automatic night setback
- LED display of power consumption
- Smart Adapt
- Anti-block function
- Delivery head mode is configurable in 4 m, 5 m and 6 m

Technical data

| 40 | 50 | 60

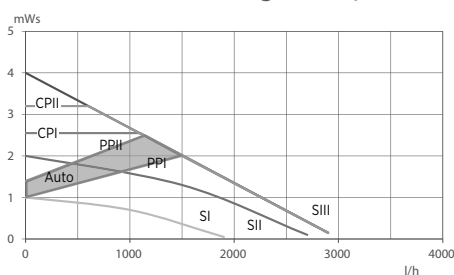
Art. no. page: 92



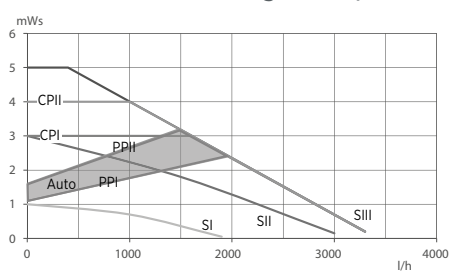
Maximum delivery head	4 m 5 m 6 m
Maximum flow rate	2800 l/h 3300 l/h 3500 l/h
Power consumption	23 W 32 W 41 W
Regulation	3 constant speed modes, 2 constant pressure characteristics, 2 proportional pressure modes
Additional functions	automatic night setback, LED display of power consumption, Anti-block function
Supply voltage	1 x 230 V, 50 Hz
Motor protection	no external motor protection required
Protection rating	IP 42
Ambient temperature	0 °C to +40 °C
Media temperature	+5 °C to +110 °C
Temperature class	TF 110 according to EN 60335-2-51
Maximum system pressure	10 bar (1 MPa)
Connection sizes	DN 15, DN 20, DN 25, DN 32
Installation lengths	110 mm, 130 mm, 180 mm
Pump housing material	130 mm, 180 mm in grey cast iron cataphoresis coated; 110 mm, 130 mm in brass
Weight incl. insulation	2.1 kg
EEI	≤ 0.20

All product dimensions are presented in mm.

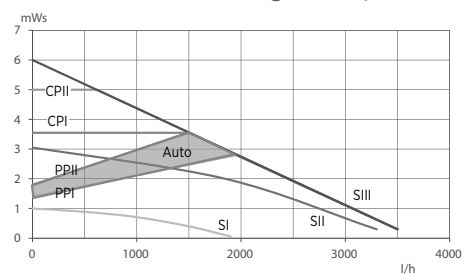
Characteristic WITA HE+ go.future | 40-xx



Characteristic WITA HE+ go.future | 50-xx



Characteristic WITA HE+ go.future | 60-xx



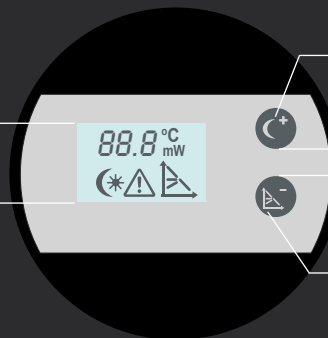


WITA Delta HE



HE LCD

LCD display



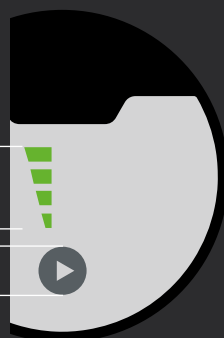
Night setback button

Selection button

HE LIGHT

Constant speed mode,
Proportional pressure modes

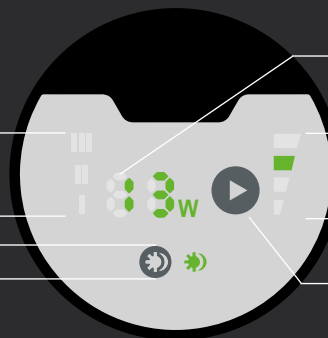
Selection button



HE LED

Constant speed
modes

Night setback



Power consumption

Proportional
pressure modes

Selection button

WITA Delta HE
35 | 55 LED 29
35 | 55 LCD 30
light 35 | 55 31

WITA Delta
MIDI 40 | MIDI 60 33
MAXI 70 34

WITA Delta
MAXI 80 35
TOP 40 | TOP 60 36



EEL
≤ 0.20



WITA Delta HE 35 | 55 LED

Product advantages

- 5 years warranty
- Night setback mode in minimum speed level
- LED display of power consumption
- Anti-block function

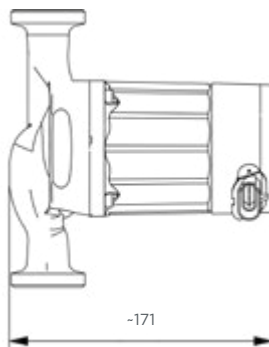
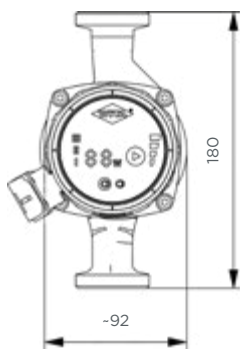


www.tuv.com
ID 1111248088

Technical data

| 35 | 55

Art. no.
page: 93



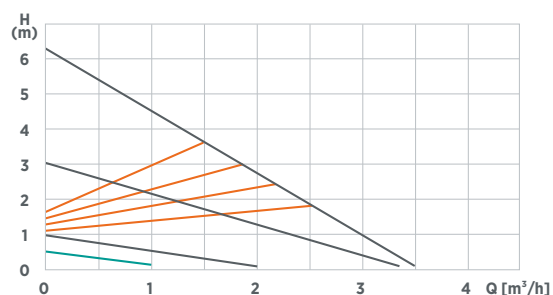
Maximum delivery head	4 m 6 m
Maximum flow rate	2600 l/h 3200 l/h
Power consumption	3-23 W 3-38 W
Regulation	3 constant speed modes 4 proportional pressure modes
Additional functions	minimum operation function / manual night setback, automatic night setback, LED display of power consumption, Anti-block function
Supply voltage	1 x 230 V, 50 Hz
Motor protection	no external motor protection required
Protection rating	IP 42
Ambient temperature	0 °C to +40 °C
Media temperature	+5 °C to +110 °C
Temperature class	TF 110 according to EN 60335-2-51
Maximum system pressure	10 bar (1 MPa)
Connection sizes	DN 15, DN 20, DN 25, DN 32
Installation lengths	110 mm, 130 mm, 180 mm
Pump housing material	130 mm, 180 mm in grey cast iron cataphoresis coated; 110 mm, 130 mm in brass
Weight incl. insulation	2.5 kg
EEL	≤ 0.20

All product dimensions are presented in mm.

Characteristic WITA Delta HE 35 LED



Characteristic WITA Delta HE 55 LED





EEI
≤0.20



WITA Delta HE 35 | 55 LCD

Product advantages

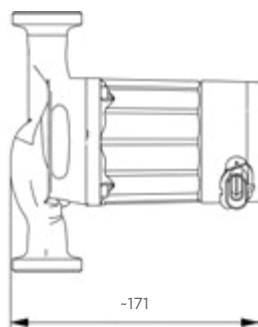
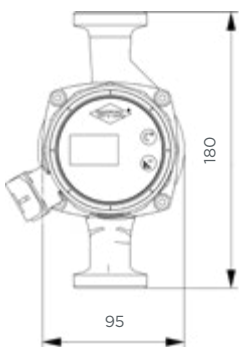
- 5 years warranty
- Night setback / minimum operating level speed
- LCD display of power consumption
- Venting function
- Anti-block function



Technical data

| 35 | 55

Art. no.
page: 93 - 94



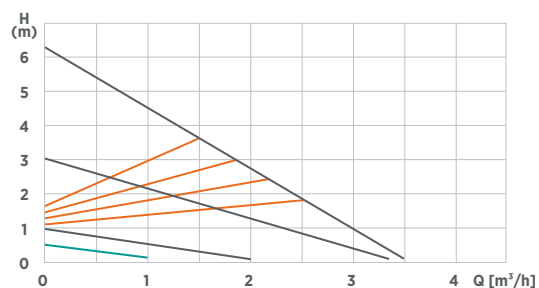
Maximum delivery head	4 m 6 m
Maximum flow rate	2600 l/h 3200 l/h
Power consumption	3-23 W 3-38 W
Regulation	3 constant speed modes 4 proportional pressure modes
Additional functions	minimum operation function / manual night setback, automatic night setback, LCD display of power consumption, Anti-block function
Supply voltage	1 x 230 V, 50 Hz
Motor protection	no external motor protection required
Protection rating	IP 42
Ambient temperature	0 °C to +40 °C
Media temperature	+5 °C to +110 °C
Temperature class	TF 110 according to EN 60335-2-51
Maximum system pressure	10 bar (1 MPa)
Connection sizes	DN 15, DN 20, DN 25, DN 32
Installation lengths	110 mm, 130 mm, 180 mm
Pump housing material	130 mm, 180 mm in grey cast iron cataphoresis coated; 110 mm, 130 mm in brass
Weight incl. insulation	2.5 kg
EEI	≤ 0.20

All product dimensions are presented in mm.

Characteristic WITA Delta HE 35 LCD



Characteristic WITA Delta HE 55 LCD





EEL
≤ 0.20



WITA Delta HE light 35 | 55

Product advantages

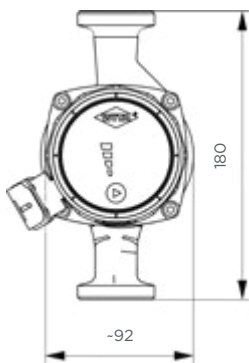
- 5 years warranty
- LED display of characteristics
- Anti-block function
- Venting function



Technical data

| 35 | 55

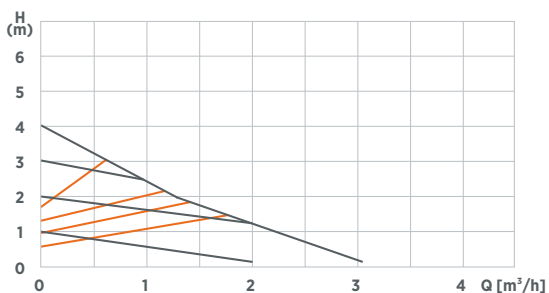
Art. no.
page: 94



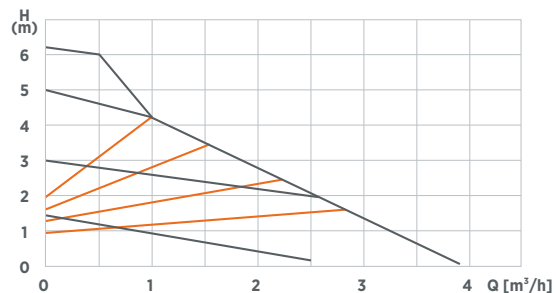
Maximum delivery head	4 m 6 m
Maximum flow rate	2800 l/h 3600 l/h
Power consumption	3-23 W 3-42 W
Regulation	4 constant speed mode 4 proportional pressure modes
Additional functions	LED display of characteristics, Anti-block function Venting function
Supply voltage	1 x 230 V, 50 Hz
Motor protection	no external motor protection required
Protection rating	IP 42
Ambient temperature	0 °C to +40 °C
Media temperature	+5 °C to +110 °C
Temperature class	TF 110 according to EN 60335-2-51
Maximum system pressure	10 bar (1 MPa)
Connection sizes	DN 15, DN 20, DN 25, DN 32
Installation lengths	110 mm, 130 mm, 180 mm
Pump housing material	130 mm, 180 mm in grey cast iron cataphoresis coated; 110 mm, 130 mm in brass
Weight incl. insulation	2.5 kg
EEL	≤ 0.18 ≤ 0.20

All product dimensions are presented in mm.

Characteristic WITA Delta HE light 35



Characteristic WITA Delta HE light 55





WITA Delta MIDI | MAXI | TOP



Delta MIDI

- min. minimum operating level
- constant speed mode
- proportional pressure mode
- display of characteristics
- selection button

Delta MAXI

- constant pressure characteristics
- constant speed mode
- proportional pressure mode
- display of characteristics
- selection button

Delta TOP

- power consumption
- min. minimum operating level
- constant speed mode
- proportional pressure mode
- display of characteristics
- selection button



EEI
≤0.20



WITA Delta MIDI 40 | MIDI 60

Product advantages

- 5 years warranty
- Minimal speed mode
- LED display of characteristics
- Button lock
- Anti-block function
- Also available as PWM (solar, heating)
- Manual venting function

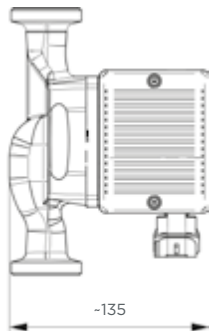
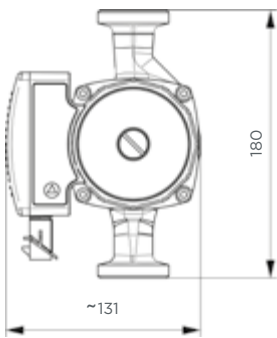


www.tuv.com
ID 1111248085

Technical data

| 40 | 60

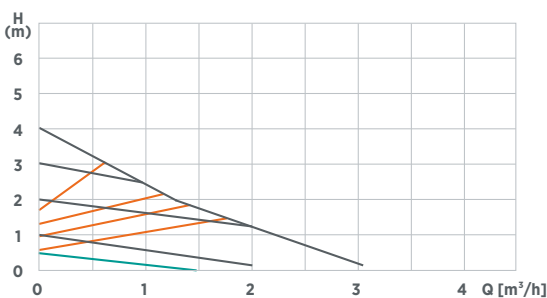
Art. no.
page: 95 - 96



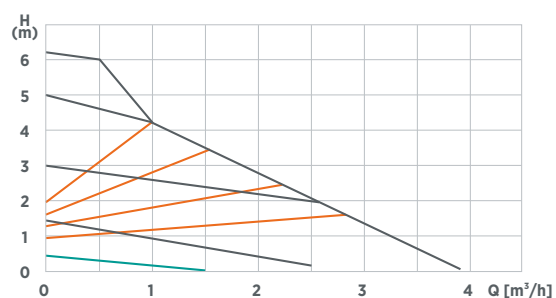
All product dimensions are presented in mm.

Maximum delivery head	4 m 6 m
Maximum flow rate	2800 l/h 3600 l/h
Power consumption	3-23 W 3-42 W
Regulation	4 constant speed modes 4 proportional pressure modes
Additional functions	Minimum operating function, LED display of characteristics Venting function, button lock, Anti-block function
Supply voltage	1 x 230 V, 50 Hz
Motor protection	no external motor protection required
Protection rating	IP 42
Ambient temperature	0 °C to +40 °C
Media temperature	+5 °C to +110 °C
Temperature class	TF 110 according to EN 60335-2-51
Maximum system pressure	10 bar (1 MPa)
Connection sizes	DN 15, DN 20, DN 25, DN 32
Installation lengths	110 mm, 130 mm, 180 mm
Pump housing material	130 mm, 180 mm in grey cast iron cataphoresis coated; 110 mm, 130 mm in brass
Weight incl. insulation	2.5 kg
EEI	≤ 0.18 ≤ 0.20
Additional option	also available as PWM version

Characteristic WITA Delta MIDI 40



Characteristic WITA Delta MIDI 60





EEI
≤0.23



WITA Delta MAXI 70

Product advantages

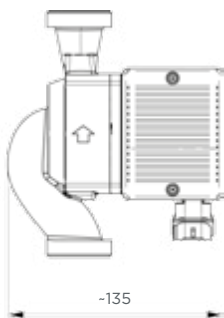
- 5 years warranty
- LED display of characteristics
- Button lock
- Anti-block function
- Also available as PWM version
- Manual venting function



www.tuv.com
ID 1111248085

Technical data

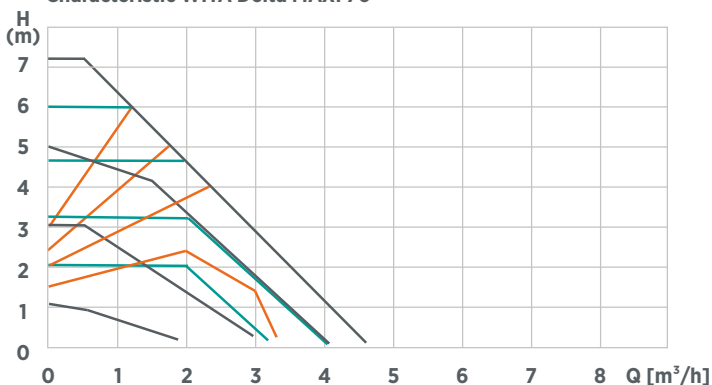
Art. no.
page: 96



All product dimensions are presented in mm.

Maximum delivery head	7 m
Maximum flow rate	4600 l/h
Power consumption	7 - 70 W
Regulation	4 constant speed modes, 4 proportional pressure modes, 4 constant pressure characteristics
Additional functions	LED display of characteristics, venting function Button lock, Anti-block function
Supply voltage	1 x 230 V, 50 Hz
Motor protection	no external motor protection required
Protection rating	IP 42
Ambient temperature	0 °C to +40 °C
Media temperature	+5 °C to +110 °C
Temperature class	TF 110 according to EN 60335-2-51
Maximum system pressure	10 bar (1 MPa)
Connection sizes	DN 15, DN 20, DN 25, DN 32
Installation lengths	110 mm, 130 mm, 180 mm
Pump housing material	130 mm, 180 mm in grey cast iron; 110 mm, 130 mm in brass
Weight incl. insulation	2.5 kg
EEI	≤ 0.23
Additional option	also available as PWM version

Characteristic WITA Delta MAXI 70





EEL
≤0.23



WITA Delta MAXI 80

Product advantages

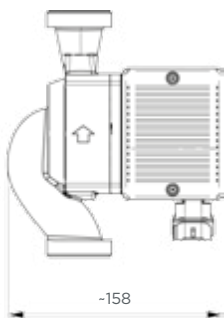
- 5 years Warranty
- LED display of characteristics
- Manual venting function
- Keylock
- Anti-block function
- Also available as PWM version



www.tuv.com
ID 1111248085

Technical data

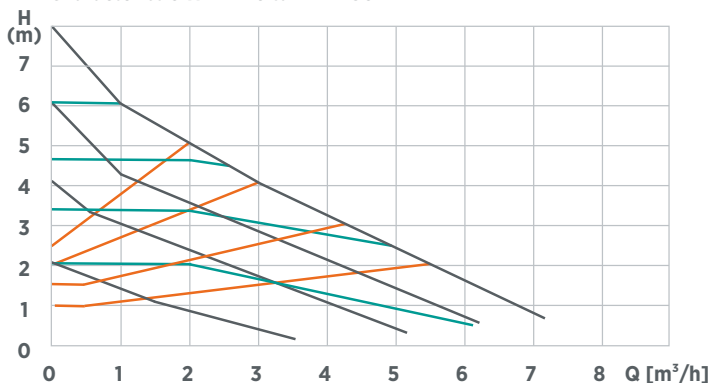
Art. no.
page: 97



Maximum delivery head	8 m
Maximum flow rate	7200 l/h
Power consumption	9 - 78 W
Regulation	4 constant speed modes, 4 proportional pressure modes, 4 constant pressure characteristics
Additional functions	LED characteristics display, venting function, keylock, anti-block function
Supply voltage	1 x 230 V, 50 Hz
Motor protection	no external motor protection required
Protection rating	IP 42
Ambient temperature	0 °C to +40 °C
Media temperature	+5 °C to +110 °C
Temperature class	TF 110 as per CEN 335-2-51
Maximum system pressure	10 bar (1 MPa)
Connection sizes	DN 25, DN 32
Installation lengths	180 mm
Pump housing material	variant in grey cast iron, cataphoresis coated
Weight incl. insulation	2.9 kg
EEL	≤ 0.23
Additional option	also available as PWM version

All product dimensions are presented in mm.

Characteristic WITA Delta MAXI 80





EEI
≤ 0.20



WITA Delta TOP 40 | TOP 60

Product advantages

- 5 years warranty
- Minimum operating level
- LED display of power consumption
- Venting function
- Button lock
- Anti-block function
- Also available as PWM version
- Manual venting function

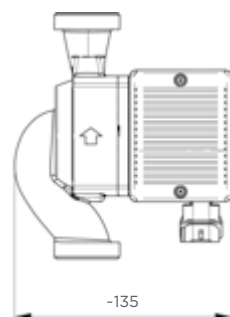
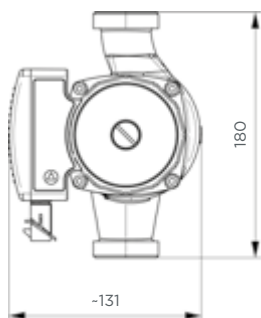


www.tuv.com
ID 1111248085

Technical data

| 40 | 60

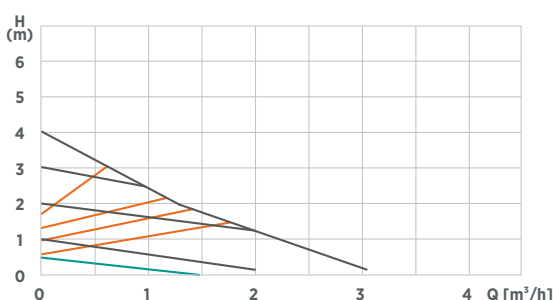
Art. no.
page: 97- 98



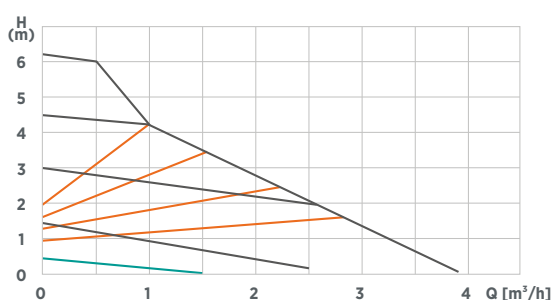
Maximum delivery head	4 m 6 m
Maximum flow rate	2800 l/h 3600 l/h
Power consumption	3 - 23 W 3 - 42 W
Regulation	4 constant speed modes, 4 proportional pressure modes
Additional functions	LED display of power consumption, venting function, Button lock, Anti-block function
Supply voltage	1 x 230 V, 50 Hz
Motor protection	no external motor protection required
Protection rating	IP 42
Ambient temperature	0 °C to +40 °C
Media temperature	+5 °C to +110 °C
Temperature class	TF 110 according to EN 60335-2-51
Maximum system pressure	10 bar (1 MPa)
Connection sizes	DN 15, DN 20, DN 25, DN 32
Installation lengths	110 mm, 130 mm, 180 mm
Pump housing material	130 mm, 180 mm in grey cast iron cataphoresis coated; 110 mm, 130 mm in brass
Weight incl. insulation	2.5 kg
EEI	≤ 0.18 ≤ 0.20
Additional option	also available as PWM version

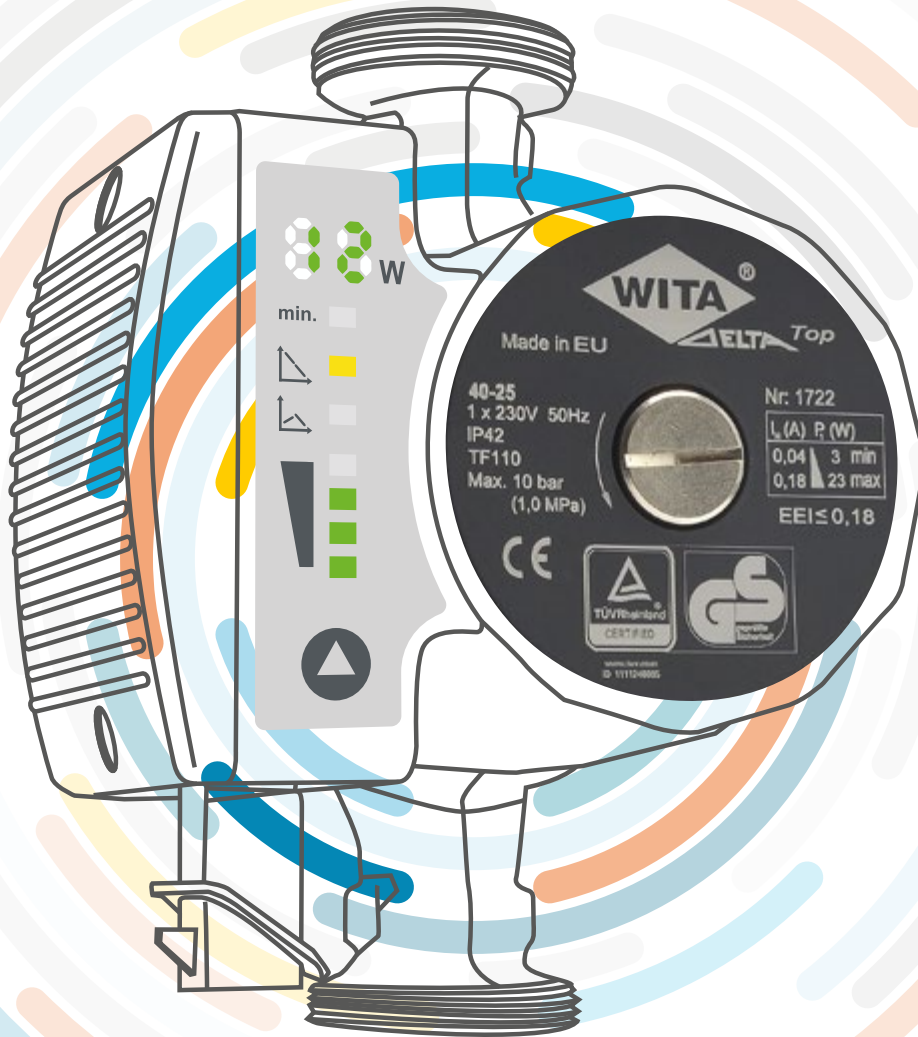
All product dimensions are presented in mm.

Characteristic WITA Delta TOP 40



Characteristic WITA Delta TOP 60





High-efficiency circulation pumps

- general overview

Pump type	go.tec 40 60 70 80	go.max 40 60	go.max 80 100 120	go.future 2 LED 40	go.future 2 LED 60	go.future 2 LCD 40	go.future 2 LCD 60	go.future 2 light 40	go.future 2 light 60
Maximum delivery head	4.0 m 6.0 m 7.0 m 8.0 m	4.0 m 6.0 m	8.0 m 10.0 m 12.0 m	4.0 m	6.0 m	4.0 m	6.0 m	4.0 m	6.0 m
Maximum flow rate	2600 l/h 3500 l/h 4000 l/h 4500 l/h	2600 l/h 3400 l/h	6600 l/h 7600 l/h 8600 l/h	2800 l/h	3600 l/h	2800 l/h	3600 l/h	2800 l/h	3600 l/h
Minimal power consumption	4 W 4 W 4 W 4 W	3 W 4 W	9 W 9 W 10 W	3 W	3 W	3 W	3 W	4 W	4 W
Maximum power consumption	25 W 45 W 65 W 80 W	23 W 43 W	80 W 120 W 180 W	23 W	41 W	23 W	41 W	23 W	41 W
Number of constant speed mode	3	3	3	4	4	4	4	4	4
Number of proportional characteristics	3	3	3	4	4	4	4	4	4
Number of constant pressure characteristics	3	3	3	4	4	4	4	-	-
Configurable lift head	-	X	-	-	-	-	-	-	-
Smart Adapt	X	X	X	-	-	-	-	-	-
Minimum operating function / manual night setback	X	-	-	X	X	X	X	-	-
Automatic night setback	-	X	X	X	X	X	X	-	-
Venting function	X	-	-	X	X	X	X	X	X
Button lock	X	-	-	X	X	X	X	X	X
Venting screw	-	-	-	-	-	-	-	-	-
Display of delivery head mode	-	X	X	X	X	X	X	-	-
Aluminum housing cover	-	-	X	-	-	-	-	-	-
Neodymium rotor	X	-	X	-	-	-	-	-	-
Pump plug	X	X	X	X	X	X	X	X	X
Power cord	X	-	-	-	-	-	-	-	-
PWM function as standard	X**	-	X	-	-	-	-	-	-
PWM version available	X	-	X	X	X	X	X	X	X
0 - 10 V version available	-	-	-	X	X	-	-	-	-
EEL	≤ 0.21	≤ 0.19	≤ 0.23	≤ 0.20	≤ 0.20	≤ 0.20	≤ 0.20	≤ 0.20	≤ 0.20
Pump housing 130 mm GG*	X	X	-	X	X	X	X	X	X
Pump housing 180 mm GG*	X	X	X	X	X	X	X	X	X
Pump housing 110 mm CuZn#	-	-	-	X	X	X	X	X	X
Connection size DN 15	X	X	-	X	X	X	X	X	X
Connection size DN 20	-	-	-	X	X	X	X	X	X
Connection size DN 25	X	X	X	X	X	X	X	X	X
Connection size DN 32	X	X	X	X	X	X	X	X	X

* GG grey cast iron with cataphoresis coating
CuZn# brass

** Only possible with PWM cable

You have not found a suitable high-efficiency pump for your application?

Contact us!
Together we will find a solution.

HE+ go.future 40 50 60	HE 35 LED	HE 55 LED	HE 35 LCD	HE 55 LCD	HE light 35	HE light 55	MIDI 40	MIDI 60	MAXI 70	MAXI 80	Top 40	Top 60
4/5/6 m	4.0 m	6.0 m	4.0 m	6.0 m	4.0 m	6.0 m	4.0 m	6.0 m	7.0 m	8.0 m	4.0 m	6.0 m
2900/3300/3500	2600 l/h	3200 l/h	2600 l/h	3200 l/h	2800 l/h	3600 l/h	2800 l/h	3600 l/h	4600 l/h	7200 l/h	2800 l/h	3600 l/h
4 W	3 W	3 W	3 W	3 W	3 W	3 W	3 W	3 W	7 W	9 W	3 W	3 W
23/32/41 W	23 W	38 W	23 W	38 W	23 W	42 W	23 W	42 W	70 W	78 W	23 W	42 W
3	3	3	3	3	4	4	4	4	4	4	4	4
2	4	4	4	4	4	4	4	4	4	4	4	4
2	-	-	-	-	-	-	-	-	4	4	-	-
X	-	-	-	-	-	-	-	-	-	-	-	-
X	-	-	-	-	-	-	-	-	-	-	-	-
-	X	X	X	X	-	-	X	X	-	-	X	X
X	X	X	X	X	-	-	-	-	-	-	-	-
-	-	-	X	X	X	X	X	X	X	X	X	X
-	-	-	-	-	-	-	X	X	X	X	X	X
-	-	-	-	-	-	-	X	X	X	X	X	X
X	X	X	X	X	-	-	-	-	-	-	X	X
-	-	-	-	-	-	-	-	-	X	X	-	-
-	-	-	-	-	-	-	-	-	X	X	-	-
X	X	X	X	X	X	X	X	X	X	X	X	X
-	X	X	X	X	X	X	-	-	-	-	-	-
-	-	-	-	-	-	-	-	-	-	-	-	-
-	-	-	-	-	-	-	X	X	X	X	X	X
-	-	-	-	-	-	-	-	-	-	-	-	-
≤ 0.20	≤ 0.20	≤ 0.20	≤ 0.20	≤ 0.20	≤ 0.18	≤ 0.20	≤ 0.18	≤ 0.20	≤ 0.23	≤ 0.23	≤ 0.18	≤ 0.20
X	X	X	X	X	X	X	X	X	X	-	X	X
X	X	X	X	X	X	X	X	X	X	X	X	X
X	X	X	X	X	X	X	X	X	X	-	X	X
X	X	X	X	X	X	X	X	X	X	-	X	X
X	X	X	X	X	X	X	X	X	X	X	X	X
X	X	X	X	X	X	X	X	X	X	X	X	X

Potable water circulation pumps

- Use in detached and semi-detached houses
- Lower operation costs due to efficient & sustainable use, low power consumption 2.5 - 7.0 W
- Compact design & ceramic bearings

go.future Z+
go.future Z

42
43



Potable water circulation pumps - general overview

Pump type	go.future Z	go.future Z+
Maximum delivery head	1.4 m	1.4 m
Maximum flow rate	650 l/h	650 l/h
Minimum power consumption	2.5 W	2.5 W
Maximum power consumption	7.0 W	7.0 W
Number of constant speed mode	3	3



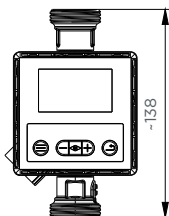
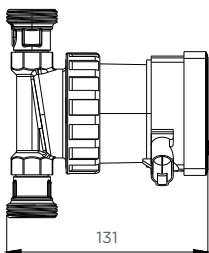
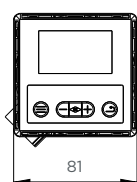
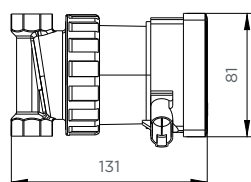
WITA go.future Z+

Product advantages

- 5 years warranty
- Anti-block function
- LCD display
- Contact sensor for temperature control
- Weekly program
- Low power consumption 2.5 - 7.0 W
- 3 constant speed modes
- Compact design
- Ceramic bearings

Technical data

Art. no.
page: 98



mounted with shut-off set

All product dimensions are presented in mm.

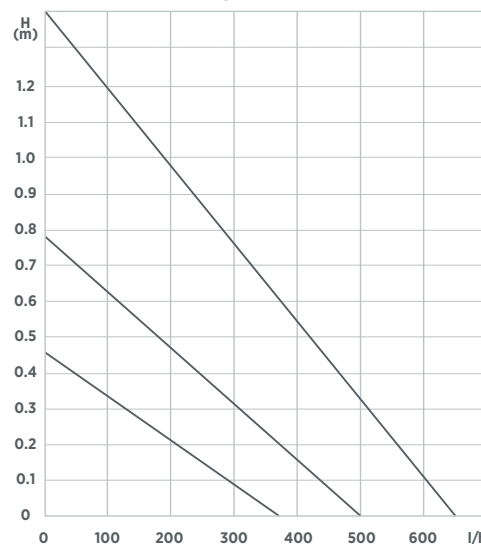
Shut-off set with check valve



Pump item no. BW 15 450ST
Shut-off set A 32 500

Maximum delivery head	1.4 m
Maximum flow rate	650 l/h
Power consumption	2.5 - 7 W
Regulation	3 constant speed modes
Additional functions	Anti-block function
Supply voltage	1 x 230 V, 50 Hz
Motor protection	no external motor protection required
Protection rating	IP 44
Ambient temperature	0 °C to +40 °C
Temperature sensor	yes
Media temperature	+5 °C to +65 °C
Regulation range	+20 °C to +65 °C
Temperature class	TF 65 according to EN 60335-2-51
Maximum system pressure	10 bars
Connection sizes	DN 15 (Rp 1/2")
Pump housing material	Brass
Weight incl. insulation	1.3 kg

Characteristic WITA go.future Z+





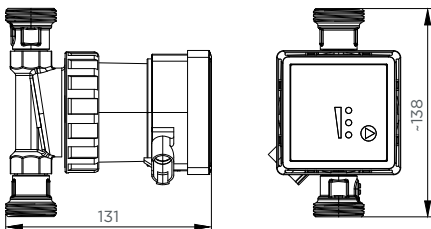
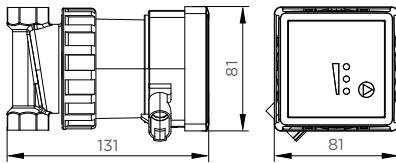
WITA go.future Z

Product advantages

- 5 years warranty
- Anti-block function
- Low power consumption 2.5 - 7.5 W
- 3 constant speed modes
- Compact design
- Ceramic bearings

Technical data

Art. no.
page: 98



Maximum delivery head	1.4 m
Maximum flow rate	650 l/h
Power consumption	2.5 - 7 W
Regulation	3 constant speed modes
Additional functions	Anti-block function
Supply voltage	1 x 230 V, 50 Hz
Motor protection	no external motor protection required
Protection rating	IP 44
Ambient temperature	0 °C to +40 °C
Media temperature	+5 °C to +65 °C
Temperature class	TF 65 according to EN 60335-2-51
Maximum system pressure	10 bars
Connection sizes	DN 15 (Rp 1/2")
Pump housing material	brass
Weight incl. insulation	1.2 kg

mounted with shut-off set

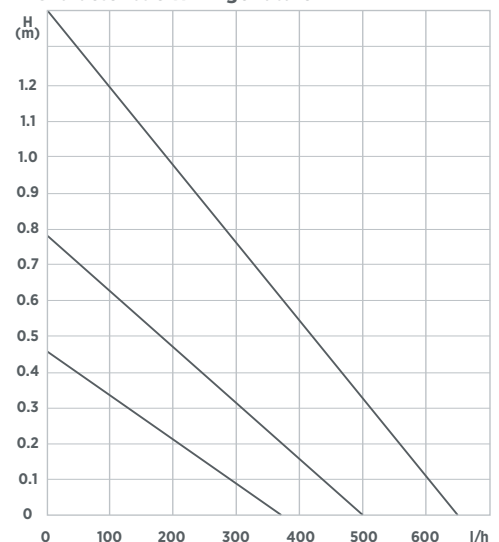
All product dimensions are presented in mm.

Shut-off set with check valve



Pump item no. BW 15 400ST
Shut-off set A 32 500

Characteristic WITA go.future Z



Replacement overview for circulation pumps

head	diameter	length	WITA	Grundfos	Wilo	KSB
4	DN 15	130	<p>DELTA MIDI 40-15 S (PWM) DELTA TOP 40-15 S (PWM) HE LED/LCD/light 35-15 S go.future 2 LED/LCD/light 40-15 S/SB130 (PWM/0-10V) go.max 40-15-130 go.tec 40-15-130</p>	<p>ALPHA1 15-40 130 ALPHA2 15-40 130 ALPHA3 15-40 130 UPM3S 15-40 130</p>	<p>Stratos PICO plus 15/0.5-4 Yonos PICO plus 15/1-4</p>	<p>Calio S Pro 15-40 130</p>
6	DN 15	130	<p>DELTA MIDI 60-15 S (PWM) DELTA TOP 60-15 S (PWM) HE+ go.future 40/50/60-15 S HE LED/LCD/light 55-15 S go.future 2 LED/LCD/light 60-15 S (PWM/0-10V) go.max 60-15-130 go.tec 60-15-130</p>	<p>ALPHA1 15-60 130 ALPHA2 15-60 130 ALPHA3 15-60 130 UPM3(K) 15-50 130 UPM3(K) 15-60 130 UPM3(K) AUTO 15-50 130 UPM3(K) FLEX AS 15-50 130 UPM3(K) HYBRID 15-50 130 UPM3S 15-50 130 UPM3S 15-60 130 UPM3S AUTO 15-60 130 UPM3S FLEX AS 15-60 130 UPMO 15-50 130 UPMO 15-60 130</p>	<p>Stratos PICO plus 15/0.5-6 Yonos PICO plus 15/1-6</p>	<p>Calio S Pro 15-60 130</p>
7	DN 15	130	<p>DELTA MAXI 70-15 S (PWM) go.tec 70-15-130</p>	<p>UPM3(K) 15-70 130 UPM3(K) AUTO 15-70 130 UPM3(K) FLEX AS 15-70 130 UPM3(K) HYBRID 15-70 130 UPM3L AUTO 15-70 130 UPM3L AUTO 15-70 130 UPM3L AUTO 15-70 130 UPM3L HYBRID 15-70 130 UPM3L HYBRID 15-70 130 UPM3L HYBRID 15-70 130 UPMO 15-70 130</p>	<p>Para 15-130/4-20 (SC/iPWM 1) Para 15-130/6-43 (SC/iPWM 1/SCU) Para 15-130/6-50 (SCV/SCA) Para 15-130/7-50 (SC/iPWM 1/SCU) Para 15-130/7-75/SCA Para 15-130/8-60/SC/O Para 15-130/8-60/iPWM 1/O Para 15-130/8-75 (SC/iPWM 1/SCU) Para 15-130/8-87/SCU Para 15-130/9-87 (SC/iPWM 1/SCU) Para G 15-130/6-43 (SC/iPWM 1/SCU) Para G 15-130/7-50 (SC/iPWM 1/SCU) Para G 15-130/8-60 (SC/iPWM 1) Para G 15-130/8-75 (SC/iPWM 1/SCU) Para G 15-130/8-87/SCU Para G 15-130/9-87 (SC/iPWM 1/SCU) Para R 15-130/6-43 (SC/iPWM 1/SCU) Para R 15-130/7-50 (SC/iPWM 1/SCU) Para R 15-130/8-60 (SC/iPWM 1) Para R 15-130/8-75 (SC/iPWM 1/SCU) Para R 15-130/9-87 (SC/iPWM 1/SCU) Para ST 15-130/6-43/SC Para ST 15-130/7-50 (iPWM2/SC) Para ST 15-130/8-75 (iPWM2/SC) Para ST 15/13-75/iPWM2 Para ST 15/6-43/iPWM2 Para STG 15-130 (8-75/7-50/8-60) Varios PICO-STG 15/1-7</p>	
8	DN 15	130	<p>go.tec 80-15-130</p>	<p>ALPHA1 15-80 130 ALPHA2 15-80 130 ALPHA3 15-80 130 UPM3(K) 15-75 130 UPM3(K) FLEX AS 15-75 130 UPM3(K) SOLAR 15-75 130 UPM3L 15-75 130 UPM3L 15-75 130 UPM3L 15-75 130 UPM3L FLEX AS 15-75 130 UPM3L FLEX AS 15-75 130 UPM3L FLEX AS 15-75 130</p>	<p>Para 15-130/7-75/SCV Stratos PICO plus 15/0.5-8 Varios PICO-STG 15/1-8</p>	
4	DN 20	130	<p>DELTA MIDI 40-20 S/SB 130 (PWM) DELTA TOP 40-20 SB 130 (PWM) HE LED/LCD/light -20 S/SB 130 go.future 2 LED/LCD/light 40-20 S/SB 130 (PWM/0-10V)</p>			

Biral	Lowara	Tacnova	DAB	Armstrong	IMP
PrimAX 15-3 130 RED T2 PrimAX 15-4 130 RED T2	eco2 15-4/130 CG eco2 15-4/130 CG eco2 15-4/130 TS eco2 15-4/130 TS eco2 PWMH 15-4/130 CG eco2 PWMH 15-4/130 CG eco2 PWMH 15-4/130 TS eco2 PWMH 15-4/130 TS ecocirc S 15-4/130 ecocirc S+ 15-4/130	TacoFlow2 PURE C 15-40/130	EVOSTA 3 40/130 ½"	HEP OPTIMO 15-4.0 G130 HEP OPTIMO BASIC 15-4.0 G130	NMT MINI 15/30-130 NMT MINI 15/40-130 NMT MINI ER 15/40-130 NMT MINI PLUS 15/40-130 NMT MINI PRO 15/40-130 NMT MINI PWM 15/40-130
PrimAX 15-5 130 RED T2 PrimAX 15-6 130 RED T2	eco2 15-6/130 CG eco2 15-6/130 CG eco2 15-6/130 TS eco2 15-6/130 TS eco2 PWMH 15-6/130 CG eco2 PWMH 15-6/130 CG eco2 PWMH 15-6/130 TS eco2 PWMH 15-6/130 TS eco2M PWMM 15-6/130 CG eco2M PWMM 15-6/130 CG eco2M PWMM 15-6/130 TS ecocirc M 15-6/130 ecocirc M+ 15-6/130	TacoFlow2 15-60/130 TacoFlow2 ADAPT 15-60/130 TacoFlow2 C A 15-60/130 TacoFlow2 SOLAR 15-60/130	EVOSTA 3 60/130 ½"	HEP OPTIMO 15-6.0 G130 HEP OPTIMO BASIC 15-6.0 G130	
		TacoFlow2 15-70/130 TacoFlow2 ADAPT 15-70/130 TacoFlow2 SOLAR 15-70/130	EVOSTA 2 40-70/130 ½"		NMT MINI 15/70-130
PrimAX 15-8 130 RED T2	eco2 15-8/130 CG eco2 15-8/130 CG eco2 15-8/130 TS eco2 15-8/130 TS eco2 PWMH 15-8/130 CG eco2 PWMH 15-8/130 CG eco2 PWMH 15-8/130 TS eco2 PWMH 15-8/130 TS eco2M PWMM 15-8/130 CG eco2M PWMM 15-8/130 TS eco2S 15-8/130 CG eco2S 15-8/130 TS eco2S PWMS 15-8/130 CG eco2S PWMS 15-8/130 TS ecocirc L 15-8/130 ecocirc L+ 15-8/130		EVOSTA 3 60/130 ½"	HEP OPTIMO 15-8.0 G130 HEP OPTIMO BASIC 15-8.0 G130	NMT MINI 15/80-130 NMT MINI ER 15/80-130 NMT MINI PLUS 15/80-130 NMT MINI PRO 15/80-130 NMT MINI PWM 15/80-130
	ecocirc S 20-4/130 ecocirc S+ 20-4/130			HEP OPTIMO 20-4.0 G130 HEP OPTIMO BASIC 20-4.0 G130	NMT MINI 20/30-130 NMT MINI 20/40-130 NMT MINI ER 20/40-130 NMT MINI PLUS 20/40-130 NMT MINI PRO 20/40-130 NMT MINI PWM 20/40-130

Replacement overview for circulation pumps

head	diameter	length	WITA	Grundfos	Wilo	KSB
6	DN20	130	DELTA MIDI 60-20 S/SB 130 (PWM) DELTA TOP 60-20 SB 130 (PWM) HE+ go.future 40/50/60-20 S/SB 130 HE LED/LCD/light 55-20 S/SB 130 go.future 2 LED/LCD/light 60-20 S/SB 130 (PWM/0-10V)			
4	DN 25	130	DELTA MIDI 40-25 S/SB 130 (PWM) DELTA TOP 40-25 S/SB 130 (PWM) HE LCD 35-25 S HE LCD 35-25 SB 130 HE LED 35-25 S HE LED 35-25 SB 130 HE light 35-25 S HE light 35-25 SB 130 go.future 2 LED/LCD/light 40-25 S/SB 130 (PWM/0-10V) go.max 40-25-130 go.tec 40-25-130	ALPHA1 25-40 130 ALPHA2 25-40 130 ALPHA3 25-40 130 UPM3S 25-40 130	Stratos PICO plus 25/0.5-4-130 Yonos PICO plus 25/1-4-130	Calio S Pro 25-40 130
6	DN 25	130	DELTA MIDI 60-25 S/SB 130 (PWM) DELTA TOP 60-25 S/SB 130 (PWM) HE+ go.future 40/50/60-25 S/SB 130 HE LED/LCD/light 55-25 S/SB 130 go.future 2 LED/LCD/light 60-25 S (PWM/0-10V) go.future 2 LED/LCD/light 60-25 SB 130 (PWM/0-10V) go.max 60-25-130 go.tec 60-25-130	ALPHA1 25-60 130 ALPHA2 25-60 130 ALPHA3 25-60 130 UPM3(K) 25-50 130 UPM3(K) 25-60 130 UPM3(K) AUTO 25-50 130 UPM3(K) FLEX AS 25-50 130 UPM3(K) HYBRID 25-50 130 UPM3S 25-50 130 UPM3S 25-60 130 UPM3S AUTO 25-60 130 UPM3S FLEX AS 25-60 130 UPMO 25-50 130 UPMO 25-60 130	Stratos PICO plus 25/0.5-6-130 Yonos PICO plus 25/1-6-130	Calio S Pro 25-60 130
7	DN 25	130	DELTA MAXI 70-25 S/SB130 (PWM) go.tec 70-25-130	UPM3(K) 25-70 130 UPM3(K) AUTO 25-70 130 UPM3(K) FLEX AS 25-70 130 UPM3(K) HYBRID 25-70 130 UPM3L AUTO 25-70 130 UPM3L HYBRID 25-70 130 UPMO 25-70 130 UPMO 25-70 180	Para 25-130/4-20 (SC/iPWM 1) Para 25-130/6-43 (SC/iPWM 1/SCU) Para 25-130/6-50/SCA Para 25-130/7-50 (SC/iPWM 1/SCU) Para 25-130/7-75/SCA Para 25-130/8-60/ (SC/O/iPWM 1/O) Para 25-130/8-75 (SC/iPWM 1/SCU) Para 25-130/8-87/SCU Para 25-130/9-87 (SC/iPWM 1/SCU) Para G 25-130/6-43 (SC/iPWM 1/SCU) Para G 25-130/7-50 (SC/iPWM 1/SCU) Para G 25-130/8-60 (SC/iPWM 1) Para G 25-130/8-75 (SC/iPWM 1/SCU) Para G 25-130/9-87 (SC/iPWM 1/SCU) Para R 25-130/6-43 (iPWM 1/SCU) Para R 25-130/7-50 (SC/iPWM 1/SCU) Para R 25-130/8-60/iPWM 1 Para R 25-130/8-75 (iPWM 1/SCU) Para R 25-130/9-87 (SC/iPWM 1) Para ST 25-130/6-43 (iPWM2/SC) Para ST 25-130/7-50 (iPWM2/SC) Para ST 25-130/8-75 (iPWM2/SC) Para STG 25-130 (8-75/7-50/8-60) Varios PICO-STG 25/1-7-130	
8	DN 25	130	go.tec 80-25-130	ALPHA1 25-80 130 ALPHA2 25-80 130 ALPHA3 25-80 130 UPM3(K) 25-75 130 UPM3(K) FLEX AS 25-75 130 UPM3(K) SOLAR 25-75 130 UPM3L 25-75 130 UPM3L FLEX AS 25-75 130	Stratos PICO plus 25/0.5-8-130 Varios PICO-STG 25/1-8-130 Yonos PICO plus 25/1-8-130	
4	DN 20	180	DELTA MIDI 40-20 (PWM) DELTA TOP 40-20 (PWM) HE LED/LCD/light 35-20 go.future 2 LED/LCD/light 40-20 (PWM/0-10V)			CALIO-THERM NC 20-30

Biral	Lowara	Taconova	DAB	Armstrong	IMP
	ecocirc M 20-6/130 ecocirc M+ 20-6/130			HEP OPTIMO 20-6.0 G130 HEP OPTIMO BASIC 20-6.0 G130	
PrimAX 25-3 130 RED T2 PrimAX 25-4 130 RED T2	eco2 25-4/130 CG eco2 25-4/130 TS eco2 PWMH 25-4/130 CG eco2 PWMH 25-4/130 TS ecocirc S 25-4/130 ecocirc S+ 25-4/130		EVOSTA 3 40/130 1"	HEP OPTIMO 25-4.0 G130 HEP OPTIMO BASIC 25-4.0 G130	NMT MINI 25/30-130 NMT MINI 25/40-130 NMT MINI ER 25/40-130 NMT MINI PLUS 25/40-130 NMT MINI PRO 25/40-130 NMT MINI PWM 25/40-130
PrimAX 25-5 130 RED T2 PrimAX 25-6 130 RED T2	eco2 25-6/130 CG eco2 25-6/130 TS eco2 PWMH 25-6/130 CG eco2 PWMH 25-6/130 TS eco2M PWMH 25-6/130 CG eco2M PWMH 25-6/130 TS ecocirc M 25-6/130 ecocirc M+ 25-6/130	TacoFlow2 25-60/130 TacoFlow2 ADAPT 25-60/130 TacoFlow2 SOLAR 25-60/130 TacoFlow2 eLink 25-60/130	EVOSTA 3 60/130 1"	HEP OPTIMO 25-6.0 G130 HEP OPTIMO BASIC 25-6.0 G130	
		TacoFlow2 25-70/130 TacoFlow2 ADAPT 25-70/130 TacoFlow2 SOLAR 25-70/130	EVOSTA 2 40-70/130 1"		NMT MINI 25/70-130
PrimAX 25-8 130 RED T2	eco2 25-8/130 CG eco2 25-8/130 TS eco2 PWMH 25-8/130 CG eco2 PWMH 25-8/130 TS eco2M PWMH 25-8/130 CG eco2M PWMH 25-8/130 TS eco2S 25-8/130 CG eco2S 25-8/130 TS eco2S PWMS 25-8/130 CG eco2S PWMS 25-8/130 TS ecocirc L 25-8/130 ecocirc L+ 25-8/130		EVOSTA 2 75/130 SOL EVOSTA 2 75/130 SOL PWM EVOSTA 3 60/130 1"	HEP OPTIMO 25-8.0 G130 HEP OPTIMO BASIC 25-8.0 G130	NMT MINI 25/80-130 NMT MINI ER 25/80-130 NMT MINI PLUS 25/80-130 NMT MINI PRO 25/80-130 NMT MINI PWM 25/80-130
					NMT MINI 20/40-180 NMT MINI ER 20/40-180 NMT MINI PLUS 20/40-180 NMT MINI PRO 20/40-180 NMT MINI PWM 20/40-180

Replacement overview for circulation pumps

head	diameter	length	WITA	Grundfos	Wilo	KSB	
4	DN 25	180	DELTA MIDI 40-25 (PWM) DELTA TOP 40-25 (PWM) HE LED/LCD/light 35-25 go.future 2 LED/LCD/light 40-25 S (PWM/0-10V) go.max 40-25-180 go.tec 40-25-180	ALPHA1 25-40 180 ALPHA2 25-40 180 ALPHA3 25-40 180 UPM3S 25-40 180	Stratos PICO plus 25/0.5-4 Yonos PICO plus 25/1-4	Calio S Pro 25-40	
6	DN 25	180	DELTA MIDI 60-25 (PWM) DELTA TOP 60-25 (PWM) HE+ go.future 40/50/60-25 S HE LED/LCD/light 55-25 go.future 2 LED/LCD/light 60-25 (PWM/0-10V) go.max 60-25-180 go.tec 60-25-180	ALPHA1 25-60 180 ALPHA2 25-60 180 ALPHA3 25-60 180 UPM3(K) 25-50 180 UPM3(K) 25-60 180 UPM3(K) AUTO 25-50 180 UPM3(K) FLEX AS 25-50 180 UPM3(K) HYBRID 25-50 180 UPM3S 25-50 180 UPM3S 25-60 180 UPM3S AUTO 25-60 180 UPM3S FLEX AS 25-60 180 UPMO 25-50 180 UPMO 25-60 180	Stratos PICO plus 25/0.5-6 Yonos PICO plus 25/1-6	Calio S Pro 25-60	
7	DN 25	180	DELTA MAXI 70-25 (PWM) go.tec 70-25-180	UPM3(K) 25-70 180 UPM3(K) AUTO 25-70 180 UPM3(K) FLEX AS 25-70 180 UPM3(K) HYBRID 25-70 180 UPM3L AUTO 25-70 180 UPM3L AUTO 25-70 180 UPM3L HYBRID 25-70 180 UPM3L HYBRID 25-70 180	Para 25-180/6-43 (SC/IPWM 1/SCU) Para 25-180/6-50/SCA Para 25-180/7-50 (SC/IPWM 1/SCU) Para 25-180/7-75/SCA Para 25-180/8-60/SC/O Para 25-180/8-60/IPWM 1/O Para 25-180/8-75 (SC/IPWM 1/SCU) Para 25-180/8-87/SCU Para 25-180/9-87 (SC/IPWM 1/SCU) Para G 25-180/6-43 (SC/IPWM 1/SCU) Para G 25-180/7-50 (SC/IPWM 1/SCU) Para G 25-180/8-60 (SC/IPWM 1) Para G 25-180/8-75 (SC/IPWM 1/SCU) Para G 25-180/9-87 (SC/IPWM 1/SCU) Para R 25-130/9-87/SCU Para R 25-180/6-43 (IPWM 1/SCU) Para R 25-180/7-50 (SC/IPWM 1/SCU) Para R 25-180/8-60/IPWM 1 Para R 25-180/8-75 (IPWM 1/SCU) Para R 25-180/9-87 (SC/IPWM 1) Para ST 25-180/6-43 (IPWM2/SC) Para ST 25-180/7-50 (IPWM2/SC) Para ST 25-180/8-75 (IPWM2/SC) Para STG 25-180 (8-75/7-50/8-60) Varios PICO-STG 25/1-7		
8	DN 25	180	go.max 80-25-180 (PWM) go.tec 80-25-180	ALPHA1 25-80 180 ALPHA2 25-80 180 ALPHA3 25-80 180 UPM3(K) 25-75 180 UPM3(K) FLEX AS 25-75 180 UPM3(K) SOLAR 25-75 180 UPM3L 25-75 180 UPM3L 25-75 180 UPM3L FLEX AS 25-75 180 UPM3L FLEX AS 25-75 180	Stratos PICO plus 25/0.5-8 Varios PICO-STG 25/1-8 Yonos PICO plus 25/1-8	Calio S Pro 25-80	
10	DN 25	180	go.max 100-25-180 (PWM)				
12	DN 25	180	go.max 120-25-180 (PWM)	UPM3(K) SOLAR 25-105 180	Para MAXO 25-180-11-F01 Para MAXO 25-180-11-F02 Para MAXO 25-180-11-F21 Para MAXO 25-180-11-F22 Para MAXO 25-180-11-F41 Para MAXO 25-180-11-F42 Para MAXO G 25-180-11-F02 Para MAXO R 25-180-11-F21 Para MAXO R 25-180-11-F23 Para MAXO R 25-180-11-F41 Para MAXO R 25-180-11-F42		

Biral	Lowara	Taconova	DAB	Armstrong	IMP
PrimAX 25-3 180 RED BZ T2 PrimAX 25-3 180 RED T2 PrimAX 25-4 180 RED BZ T2 PrimAX 25-4 180 RED T2	eco2 25-4/180 CG eco2 25-4/180 TS eco2 PWMH 25-4/180 CG eco2 PWMH 25-4/180 TS ecocirc S 25-4/180 ecocirc S+ 25-4/180		EVOSTA 3 40/180 1"	HEP OPTIMO 25-4.0 G180 HEP OPTIMO BASIC 25-4.0 G180	NMT MINI 25/40-180 NMT MINI ER 25/40-180 NMT MINI PLUS 25/40-180 NMT MINI PRO 25/40-180 NMT MINI PWM 25/40-180
PrimAX 25-5 180 RED BZ T2 PrimAX 25-5 180 RED T2 PrimAX 25-6 180 RED BZ T2 PrimAX 25-6 180 RED T2	eco2 25-6/180 CG eco2 25-6/180 TS eco2 PWMH 25-6/180 CG eco2 PWMH 25-6/180 TS eco2M PWMM 25-6/180 CG eco2M PWMM 25-6/180 TS ecocirc M 25-6/180 ecocirc M+ 25-6/180	TacoFlow2 25-60/180 TacoFlow2 ADAPT 25-60/180 TacoFlow2 SOLAR 25-60/180 TacoFlow2 eLink 25-60/180	EVOSTA 3 60/180 1"	HEP OPTIMO 25-6.0 G180 HEP OPTIMO BASIC 25-6.0 G180	
		TacoFlow2 25-70/180 TacoFlow2 ADAPT 25-70/180 TacoFlow2 SOLAR 25-70/180	EVOSTA 2 40-70/180 1"		NMT MINI 25/70-180
PrimAX 25-8 180 RED BZ T2 PrimAX 25-8 180 RED T2	eco2 25-8/180 CG eco2 25-8/180 TS eco2 PWMH 25-8/180 CG eco2 PWMH 25-8/180 TS eco2M PWMM 25-8/180 CG eco2M PWMM 25-8/180 TS eco2S 25-8/180 CG eco2S 25-8/180 TS eco2S PWMS 25-8/180 CG eco2S PWMS 25-8/180 TS ecocirc L 25-8/180 ecocirc L+ 25-8/180		EVOSTA 2 75/180 SOL EVOSTA 2 75/180 SOL PWM EVOSTA 3 60/180 1"	HEP OPTIMO 25-8.0 G180 HEP OPTIMO BASIC 25-8.0 G180	NMT MINI 25/80-180 NMT MINI ER 25/80-180 NMT MINI PLUS 25/80-180 NMT MINI PRO 25/80-180 NMT MINI PWM 25/80-180
		TacoFlow3 GenS 25-85/180 CO DH P TacoFlow3 GenS 25-85/180 CO DS P			
			EVOPLUS 110/180 M EVOSTA 2 105/180 SOL EVOSTA 2 105/180 SOL PWM		

Replacement overview for circulation pumps

head	diameter	length	WITA	Grundfos	Wilo	KSB	
4	DN 32	180	DELTA MIDI 40-32 (PWM) DELTA TOP 40-32 (PWM) HE LED/LCD/light 35-32 go.future 2 LED/LCD/light 40-32 (PWM/0-10V) go.max 40-32-180 go.tec 40-32-180	ALPHA1 32-40 180 ALPHA2 32-40 180 ALPHA3 32-40 180 UPM3S 32-40 180	Stratos PICO plus 30/0.5-4 Yonos PICO plus 30/1-4	Calio S Pro 30-40	
6	DN 32	180	DELTA MIDI 60-32 (PWM) DELTA TOP 60-32 (PWM) HE+ go.future 40/50/60-32 HE LED/LCD/light 55-32 go.future 2 LED/LCD/light 40-25 (PWM/0-10V) go.max 60-32-180 go.tec 60-32-180	ALPHA1 32-60 180 ALPHA2 32-60 180 ALPHA3 32-60 180 UPM3(K) 32-50 180 UPM3(K) 32-60 180 UPM3(K) AUTO 32-50 180 UPM3(K) FLEX AS 32-50 180 UPM3(K) HYBRID 32-50 180 UPM3S 32-50 180 UPM3S 32-60 180 UPM3S AUTO 32-60 180 UPM3S FLEX AS 32-60 180	Stratos PICO plus 30/0.5-6 Yonos PICO plus 30/1-6	Calio S Pro 30-60	
7	DN 32	180	DELTA MAXI 70-32 (PWM) go.tec 70-32-180	UPM3(K) 32-70 180 UPM3(K) AUTO 32-70 180 UPM3(K) FLEX AS 32-70 180 UPM3(K) HYBRID 32-70 180 UPM3L AUTO 32-70 180 UPM3L AUTO 32-70 180 UPM3L HYBRID 32-70 180 UPM3L HYBRID 32-70 180	Para 30-180/6-43 (SC/iPWM 1/SCU) Para 30-180/6-50/SCA Para 30-180/7-50 (SC/iPWM 1/SCU) Para 30-180/7-75/SCA Para 30-180/8-60/SC/O Para 30-180/8-60/iPWM 1/O Para 30-180/8-75 (SC/iPWM 1/SCU) Para 30-180/8-87/SCU Para 30-180/9-87 (SC/iPWM 1/SCU) Para G 30-180/6-43 (SC/iPWM 1/SCU) Para G 30-180/7-50 (SC/iPWM 1/SCU) Para G 30-180/8-60 (SC/iPWM 1) Para G 30-180/8-75 (SC/iPWM 1/SCU) Para G 30-180/9-87 (SC/iPWM 1/SCU) Para R 30-180/6-43/iPWM 1 Para R 30-180/7-50 (SC/iPWM 1) Para R 30-180/8-60/iPWM 1 Para R 30-180/8-75/iPWM 1 Para R 30-180/9-87 (SC/iPWM 1) Para ST 30-180/6-43 (iPWM2/SC) Para ST 30-180/7-50 (iPWM2/SC) Para ST 30-180/8-75 (iPWM2/SC) Para STG 30-180 (8-75/7-50/8-60)		
8	DN 32	180	go.max 80-32-180 (PWM) go.tec 80-32-180	ALPHA1 32-80 180 ALPHA2 32-80 180 ALPHA3 32-80 180 UPM3(K) 32-75 180 UPM3(K) FLEX AS 32-75 180 UPM3L 32-75 180 UPM3L 32-75 180 UPM3L FLEX AS 32-75 180 UPM3L FLEX AS 32-75 180	Stratos PICO plus 30/0.5-8 Yonos PICO plus 30/1-8	Calio S Pro 30-80	
12	DN 32	180	go.max 120-32-180 (PWM)		Para MAXO 30-180-11-F01 Para MAXO 30-180-11-F02 Para MAXO 30-180-11-F42		

Potable water circulation pumps

head	diameter	length	WITA	Grundfos	Wilo	Vortex
1.4	DN 15	138/140	go.future Z go.future Z+	COMFORT 15-14 BX PM COMFORT 15-14 BXA PM COMFORT 15-14 BXU PM	Star-Z NOVA A Star-Z NOVA C Star-Z NOVA T	BWO 155 R P15 SL BWO 155 R P15 Z

Biral	Lowara	Taconova	DAB	Armstrong	IMP
PrimAX 32-3 180 RED T2 PrimAX 32-4 180 RED T2	eco2 32-4/180 CG eco2 32-4/180 TS eco2 PWMH 32-4/180 CG eco2 PWMH 32-4/180 TS ecocirc S 32-4/180 ecocirc S+ 32-4/180		EVOSTA 3 40/180X 1" ¼	HEP OPTIMO 30-4.0 G180 HEP OPTIMO BASIC 30-4.0 G180	NMT MINI 32/40-180 NMT MINI ER 32/40-180 NMT MINI PLUS 32/40-180 NMT MINI PRO 32/40-180 NMT MINI PWM 32/40-180
PrimAX 32-5 180 RED T2 PrimAX 32-6 180 RED T2	eco2 32-6/180 CG eco2 32-6/180 TS eco2 PWMH 32-6/180 CG eco2 PWMH 32-6/180 TS ecocirc M 32-6/180 ecocirc M+ 32-6/180	TacoFlow2 32-60/180 TacoFlow2 ADAPT 32-60/180 TacoFlow2 eLink 32-60/180	EVOSTA 3 60/180X 1" ¼	HEP OPTIMO 30-6.0 G180 HEP OPTIMO BASIC 30-6.0 G180	
		TacoFlow2 32-70/180 TacoFlow2 ADAPT 32-70/180	EVOSTA 2 40-70/180X 1" ¼		NMT MINI 32/70-180
PrimAX 32-8 180 RED T2	eco2 32-8/180 CG eco2 32-8/180 TS eco2 PWMH 32-8/180 CG eco2 PWMH 32-8/180 TS ecocirc L 32-8/180 ecocirc L+ 32-8/180		EVOSTA 3 60/180X 1" ¼	HEP OPTIMO 30-8.0 G180 HEP OPTIMO BASIC 30-8.0 G180	NMT MINI 32/80-180 NMT MINI ER 32/80-180 NMT MINI PLUS 32/80-180 NMT MINI PRO 32/80-180 NMT MINI PWM 32/80-180



and more...

Pump groups	Page 54-57
Solar stations	Page 58-59
Hydraulic switch	Page 60-61
Manifolds	Page 62-63
Mixing valves	Page 64-65
Heating controllers	Page 66-71
Actuators	Page 72-81
Sludge separators	Page 82-85



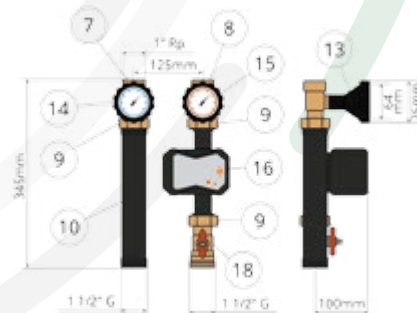
Products

Pump groups

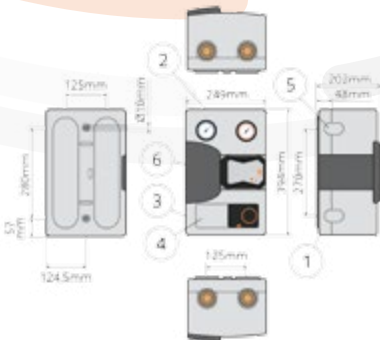
DN 25



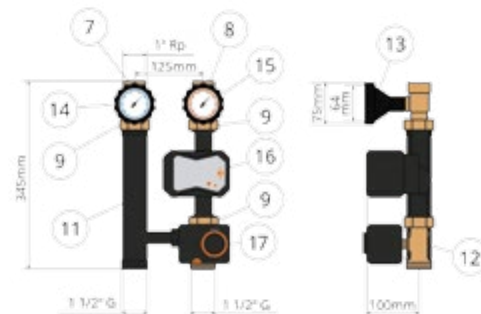
The pump group is used for unmixed and mixed heating circuits with the heating flow on left or right side.



Pict. 2: Pump group DN 25 direct heating circuit



Pict. 1: Pump group DN 25 dimensions



Pict. 3: Pump group DN 25 mixed heating circuit

Technical data

Art. no.
page: 99

DN	25
Top connection	1" Rp
Bottom connection	1 1/2" G
Installation length of the pump	180 mm, R6/4", external thread
Components material	steel, brass, EPP insulation
Sealing material	PTFE, EPDM
Temperature range	0 to 120 °C
Media temperature	max. 110 °C
Maximum system pressure	max. 6 bar
Kvs - direct heating circuit	6.0 m ³ /h
Kvs - mixed heating circuit	8.0 m ³ /h

Components

1. Insulation bottom shell
2. Insulation top shell thermometer valve
3. Insulation top shell actuator
4. Insulation plug actuator
5. Insulation plug side outlets
6. Insulation design feature
7. Pump ball valve on return side
8. Pump ball valve on heating flow side
9. Cap nut with EPDM seal
10. Double nipple 2 x 1 1/2" G
11. Double nipple 2 x 1 1/2" G
12. Mixing valve with bypass for left / right operation
13. Ball valve with handle
14. Thermometer blue for return flow side
15. Thermometer red for heating flow side
16. WITA® pump
17. WITA® actuator mixing valve
18. Pump flange ball valve

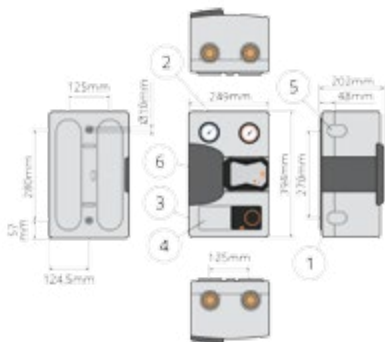
Pump groups

DN 32

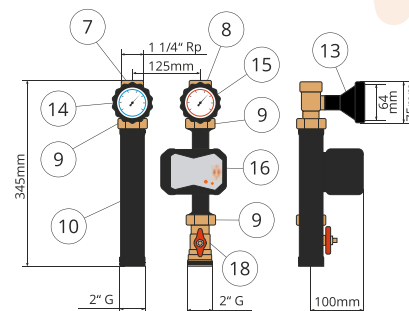
and more / Pump groups 



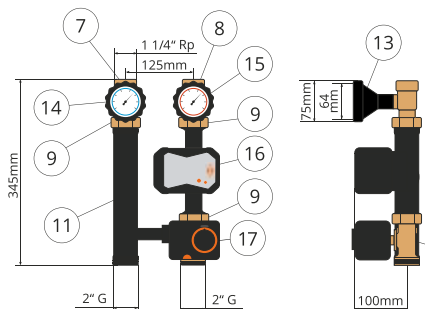
The pump group is used for unmixed and mixed heating circuits with the heating flow on left or right side.



Pict. 1: Pump group DN 32 dimensions



Pict. 2: Pump group DN 32 unmixed heating circuit



Pict. 3: Pump group DN 32 mixed heating circuit

Technical data

Art. no.
page: 99

DN	32
Top connection	1 1/4" Rp
Bottom connection	2" G
Installation length of the pump	180 mm, R6/4", external thread
Components material	steel, brass, EPP insulation
Sealing material	PTFE, EPDM
Temperature range	0 to 120 °C
Media temperature	max. 110 °C
Maximum system pressure	6 bar
Kvs - direct heating circuit	13 m ³ /h
Kvs - mixed heating circuit	21 m ³ /h

Components

1. Insulation bottom shell
2. Insulation top shell thermometer valve
3. Insulation top shell actuator
4. Insulation plug actuator
5. Insulation plug side outlets
6. Insulation design feature
7. Pump ball valve on return side
8. Pump ball valve on heating flow side
9. Cap nut with EPDM seal
10. Double nipple 2 x 1 1/2" G
11. Double nipple 2 x 1 1/2" G
12. Mixing valve with bypass for left / right operation
13. Ball valve with handle
14. Thermometer blue for return flow side
15. Thermometer red for heating flow side
16. WITA® pump
17. WITA® actuator mixing valve
18. Pump flange ball valve

Pump groups

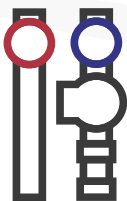
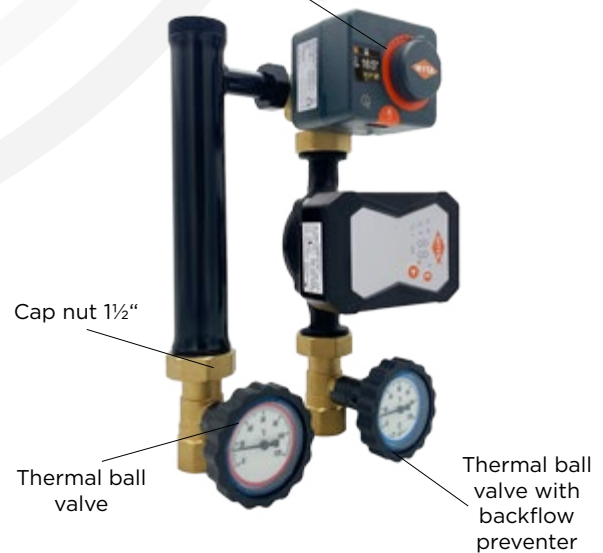
DN 25 return lift



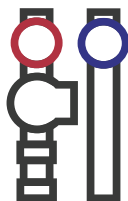
Product description

The completely pre-assembled pump groups for the mixed heating circuit are equipped with high-efficiency pumps with an overall length of 180 mm, including power supply cable, ball valves on the heating flow and return flow side with a thermometer handle (with a 20 mbar backflow preventer valve in the return flow) and a mixing valve with bypass, temperature sensor and a controlled mixer actuator.

Fixed-setpoint controller SM WR 05 FR



Heating flow and return flow changeable from right to left



Technical data

Art. no.
page: 99

Nominal diameter	DN 25
Connection dimensions	thermo-tap side top - 1 1/2" G flat sealing bottom - 1" Rp
Center distance heating flow and return flow	125 mm
Dimensions (H x W x L)	400 mm x 250 mm x 200 mm
Materials	EPP, brass, steel, EPDM seals
Field of application	Kvs 6.0m ³ /h, 35 kW, Mixer motor 20 °C - 80 °C
Operating pressure	max. 6 bar

Pump groups

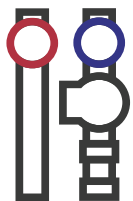
DN 32 return lift

and more / Pump groups 



Product description

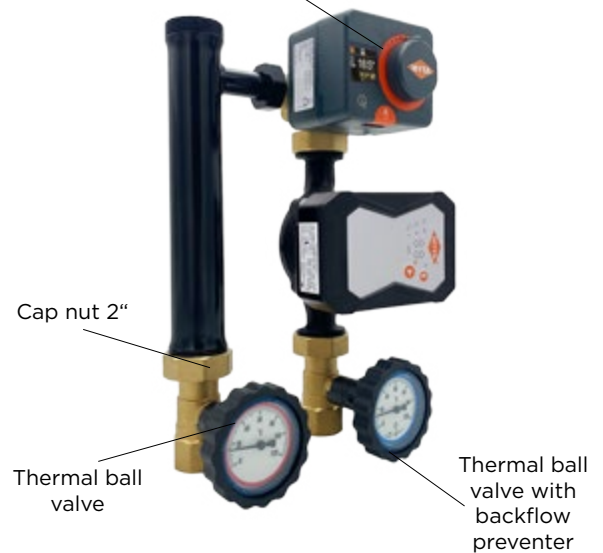
The completely pre-assembled pump groups for the mixed heating circuit are equipped with high-efficiency pumps with an overall length of 180 mm, including a power supply cable, ball valves on the heating flow and return flow side with a thermometer handle (with a 20 mbar backflow preventer valve in the return) and a mixing valve with bypass, temperature sensor and a controlled mixer actuator.



Heating flow and return flow changeable from right to left



Fixed-setpoint controller SM WR 05 FR



Technical data

Art. no.
page: 99

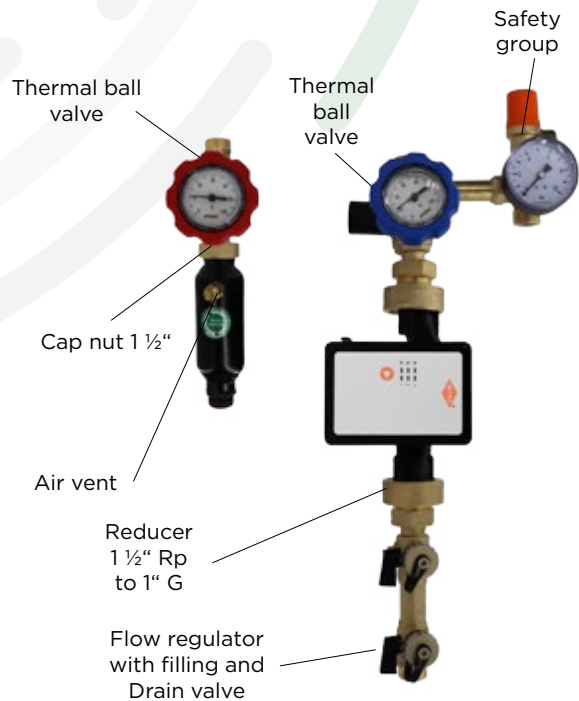
Nominal diameter	DN 32
Connection dimensions	thermo-tap side top - 2" G flat sealing bottom - 1 1/4" Rp
Center distance heating flow and return flow	125 mm
Dimensions (H x W x L)	400 mm x 250 mm x 200 mm
Materials	EPP, brass, steel, EPDM seals
Field of application	Kvs 13.0m ³ /h, 90 kW, up to 110 °C (depending on pump)
Operating pressure	max. 6 bar

Solar station two strand



Product description

The solar station is suitable for high-flow solar thermal systems with an operating pressure of max. 10 bar and a constant temperature of 120 °C (briefly up to 160 °C/20 s). The thermometer valves with backflow preventer made of steel as well as an air vent in the return and a safety group and flow meter in the primary flow are included.



Technical data

Art. no.
page: 99

Nominal diameter	DN 25
Connection dimensions	thermo-tap side top - 3/4" G plate heat exchanger side bottom - 1 1/2" Rp flow and 3/4" G return
Center distance heating flow and return flow	125 mm
Dimensions (H x W x L)	400 mm x 250 mm x 200 mm
Materials	EPP, brass, steel, copper, EPDM Seals
Field of application	50 kW high flow (1-3l/min*mm ²), -10 °C - 110 °C
Operating pressure	max. 10 bar

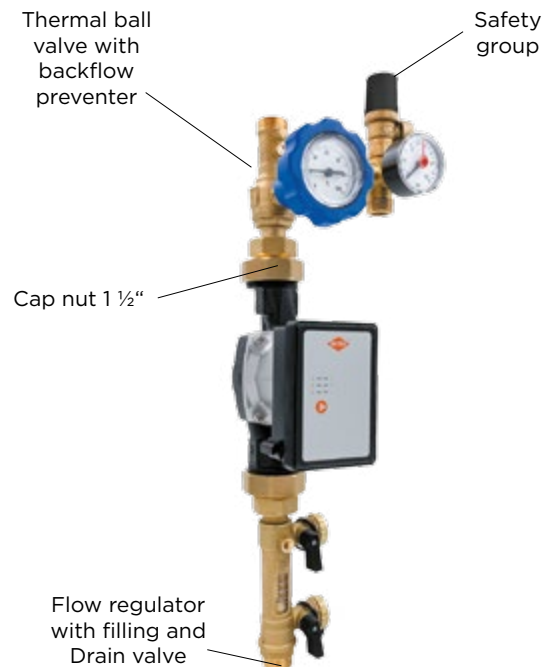
Solar station single strand

and more / Solar station 



Product description

The DN 25 solar pump group is suitable for high-flow solar thermal systems with a maximum operating pressure of 10 bar and a constant temperature of 120 °C (briefly up to 160 °C for 20 s). A ball valve with thermometer and backflow preventer, a safety group, and a flow meter are included in the primary flow.



Technical data

Art. no.
page: 99

Nominal diameter	DN 25
Connection dimensions	top/bottom - 1" G
Center distance heating flow and return flow	125 mm
Dimensions (H x W x L)	530 mm x 200 mm x 150 mm
Materials	EPP, brass, steel, copper, EPDM Seals
Field of application	50 kW high flow (1-3l/min*mm ²), -10 °C - 110 °C
Operating pressure	max. 10 bar

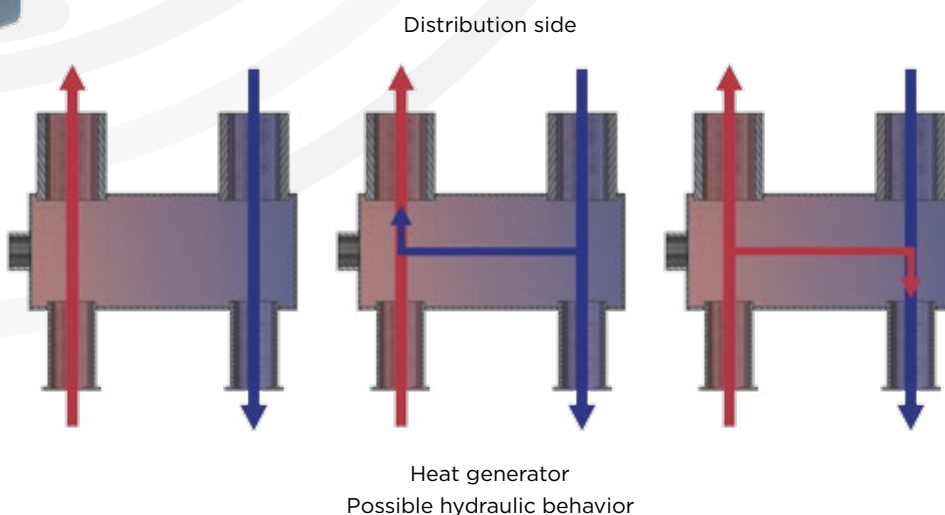
Hydraulic switch

DN 25 - horizontal



Product description

The horizontal hydraulic separator with insulation is installed upstream of the heating circuit manifold on the generator side. It hydraulically separates the primary from the secondary circuit and thus makes it possible to create different volume flows on the consumer/generator side. This enables the pumps to operate independently of each other in the optimum efficiency range. As a result the temperature control of the consumer circuits is relieved because of less strong fluctuating pressures in both chambers of the manifold.



Technical data

horizontal

vertical

Art. no.
page: 99

Nominal diameter	DN 25	DN 25	DN 32
Connection dimensions	heating circuit manifold side - connection pipe flat sealing 1 1/2" G heat generator side - connection pipe flat sealing with union nut 1 1/2" Rp	heating system connections - 1" Rp connection temperature sensor and ventilator - immersion sleeve 1/2" Rp	thermo-tap side top - 1" 1/2 Rp temperature sensor and vent connection - 1/2" Rp
Center distance heating flow and return flow	125 mm	125 mm	125 mm
Dimensions (H x W x L)	190 mm x 160 mm x 190 mm	383 mm x 113 mm x 106 mm	560 mm x 113 mm x 106 mm
Materials	steel powder coated in RAL 7024, brass union nuts	steel powder coated, brass, EPP	EPP, brass, steel, EPDM Seals
Field of application	up to 100 °C, recommended Kvs 2.7- max. 5.2 m³/h, 60 - 120 kW (delta T=20K)	Kvs 3 m³/h, up to 110 °C	Kvs 7 m³/h, up to 110 °C
Operating pressure	max. 6 bar	max. 6 bar	max. 10 bar

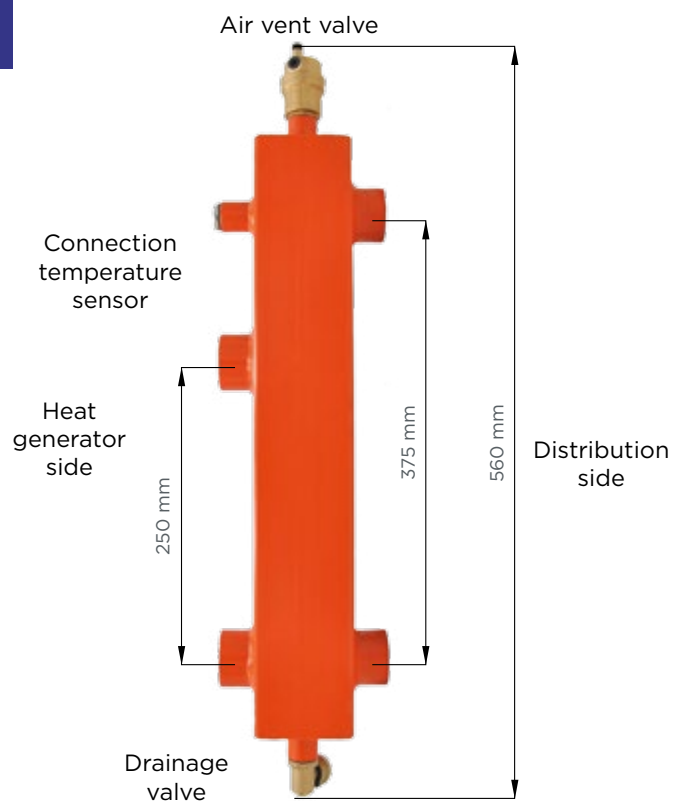
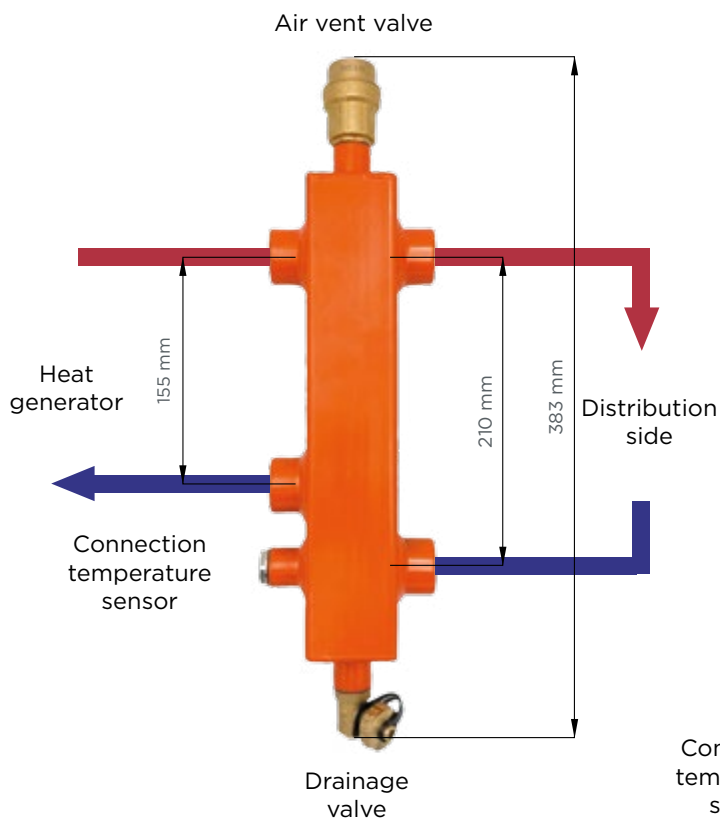
Hydraulic switch

and more / Hydraulic switches 

DN 25 | DN 32 - vertical

Product description

The vertical hydraulic switch DN25 and DN32 is used to hydraulically decouple the heating flow and return. This is particularly necessary when several heating circuits are used, as different pressures exist in the heating circuits due to the different pump outputs. The hydraulic separator is supplied complete with isolation. The delivery also includes a vent valve, a draining valve and a connection sleeve (sealed) for the use of an immersion sensor.



Manifolds



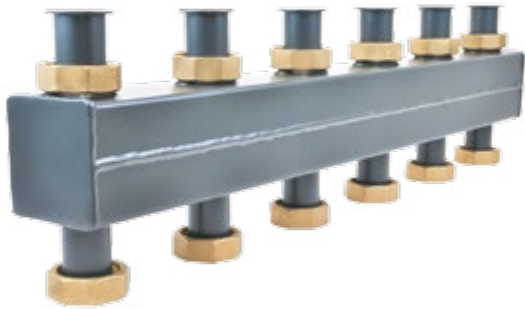
DN 25 - (LDP)

Product description

The LDP (low differential pressure) heating circuit manifold hydraulically decouples the primary from the secondary circuit. If different volume flows result from different generation and consumption structures, the water quantity required to compensate for this is diverted via the overflow valve integrated in the manifold, from the flow to the return chamber or vice versa. A faster shutdown of the heating source is possible and pressure fluctuations in the system (due to sudden closing of the secondary circuits) are reduced.



Technical data	DN 25 (LDP)	DN 25	DN 32	Art. no. page: 100
Nominal diameter	DN 25	DN 25	DN 32	
Connection dimensions	1 1/2" Rp	1 1/2" Rp	thermo-tap side top - 2" Rp producer side bottom 1 1/2" G	
Center distance heating flow and return flow	125 mm	125 mm	125 mm	
Dimensions (H x W x L)	2+1: 190 mm x 160 mm x 550 mm 3+2: 190 mm x 160 mm x 800 mm	2+0, 2+1: 190 mm x 160 mm x 500mm 3+0, 3+2: 190 mm x 160 mm x 750 mm 4+0, 4+3: 190 mm x 160 mm x 1000 mm 5+0: 190 mm x 160 mm x 1000 mm 6+0: 190 mm x 160 mm x 1000 mm	2+0, 2+1: 190 mm x 160 mm x 500 mm 3+0, 3+2: 190 mm x 160 mm x 750 mm 4+0, 4+3: 190 mm x 160 mm x 1000 mm	
Materials	EPP, brass, steel, EPDM seals	EPP, brass, steel, EPDM seals	EPP, brass, steel, EPDM Seals	
Field of application	140 kW ($\Delta T = 20 K$), up to 100 °C, Kvs 13 m ³ /h, 110kW	110 kW, up to 110 °C, Kvs 13 m ³ /h, 110kW	270 kW, up to 110 °C, Kvs 29.3 m ³ /h	
Operating pressure	max. 6 bar	max. 6 bar	max. 10 bar	



DN 25 | DN 32

Product description

The DN25 and DN32 heating circuit manifolds are used for space-saving and rapid installation of the heating circuit system. After connecting the heat generator, up to seven heating circuits (direct, mixed) can be installed on the manifold with a flat seal, depending on the manifold design. The manifold is used for heating systems up to 110kW/270kW heat load. The manifold is supplied with an adjustable wall bracket and screw connection for convenient wall mounting.



Mixing valves



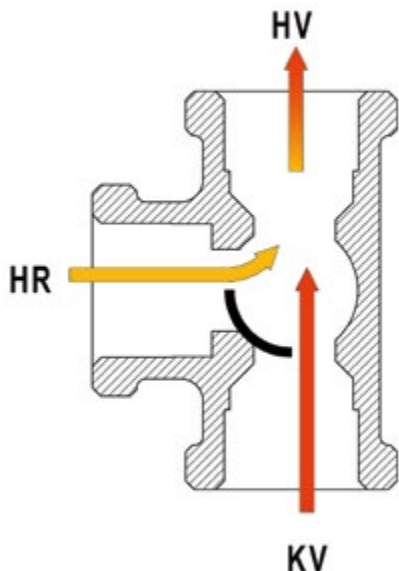
Minimix Maximix

Product description

The 3- and 4-way compact mixing valves Minimix are suitable for small and medium-sized hot water and central heating systems, whereas the mixing valves Maximix for medium-sized and large systems. The valves can be operated manually or set automatically. Equipped with the SM W05 or SM W10 actuator, the valves form a compact unit. Mixing valves housing, cover, switching shaft and cone are made of brass. Specially profiled outlet openings enable linear temperature characteristics. The shaft is sealed with double EPDM O-ring.

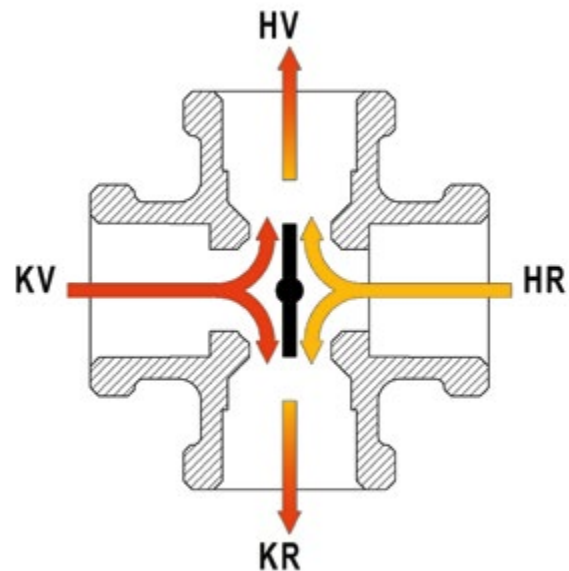
The supply side of the 4-way mixing valve can be changed; the mixing valves can be assembled on manifolds rotated by 45°. The boiler supply is factory set on the left. The 3-way mixing valve can be used for straight passage. The return connection can be placed either on the right or on the left side and is factory set on the left.

3-way mode of operation



The 3-way mixing valve can be used for straight passage. It can be used for both operations - mixing the media and switching the flow. The return connection can be placed either on the right or on the left side and is factory set on the left.

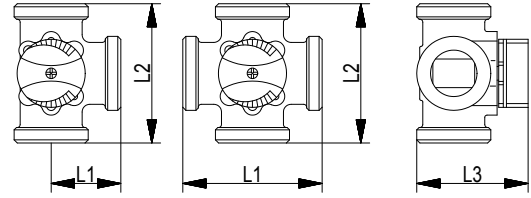
4-way mode of operation







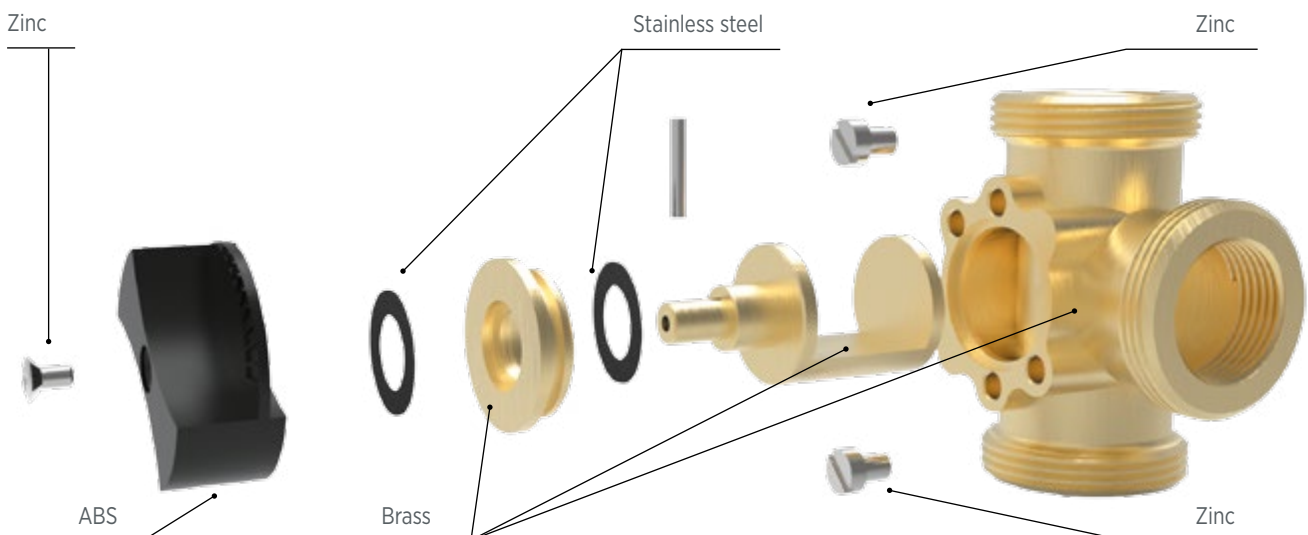
The supply side of the 4-way mixing valve can be changed. While operating in the heating circuit, the supply and the boiler return are mixed with hot water at the same time. Consequently the boiler return temperature increases, which protects the boiler against corrosion. The mixing valves can be assembled on manifolds rotated by 45°. The boiler supply is factory set on the left.

Technical data

Housing	brass MS58
Sealing of stem	double O-ring
Torque	Minimix 0.3 Nm
Torque	Maximix 0.4 Nm
Angle of rotation	90°
Maximum system pressure	10 bar
Maximum operating temperature	110 °C
Pumped medium	water (with max 50 % of glycol)



	Minimix	Type of Mixing Valve	Connection Thread	Nominal Diameter	L1 x L2 x L3	Kvs-value
		3-way 1"	1" Rp x 1 1/2" G	DN 25	45 x 90 x 75	10 m³/h
		3-way 1 1/4"	1 1/4" Rp	DN 32	45 x 90 x 75	15 m³/h
		3-way 1 1/4"	1 1/2" G	DN 32	45 x 90 x 75	15 m³/h
		3-way 1 1/4"	2" G	DN 32	45 x 90 x 75	15 m³/h
		4-way 1"	1" Rp x 1 1/2" G	DN 25	90 x 90 x 75	10 m³/h
		4-way 1 1/4"	1 1/4" Rp	DN 32	90 x 90 x 75	15 m³/h
Maximix						
		3-way 1 1/2"	1 1/2" IG	DN 40	110 x 55 x 85	25 m³/h
		4-way 1 1/2"	1 1/2" IG	DN 40	110 x 110 x 85	25 m³/h



WITA heating controllers



WHC WHC +

Product description

WITA heating controllers (WHC) are advanced heating controllers, installed in standard-dimension housings of 144 x 96 mm. They have been developed for the control of room heating or cooling as well as domestic hot water heating in single-family homes. They provide control for up to 2 heating circuits, enable switchover between heat sources, and the protection of the return line during the storage tank loading. They are used for heating systems with one or two boilers, a heat pump, a storage tank, and a solar system.

Features

- Up to 52 preset hydraulic schemes.
- They may be used for the control of new systems or to replace the installed controllers.
- Room heating or cooling according to the time programme.
- Domestic hot water heating according to the time programme.
- Solar system domestic hot water heating.
- Control of heating systems with a storage tank.
- The possibility of connecting 2 room units.
- BOOST function for intense room heating.
- Integrated solar system protection features.
- 13-language user interface.
- Wizard for an easy and quick device start-up.
- Operational diagnostics featuring error and excessive temperature warnings.
- Remote control with the help of the home system.
- Additional accessories optionally available.

Typical application

- Radiator heating system control.
- Floor heating or cooling system control.
- Convector heating or cooling system control.
- Wall or ceiling heating or cooling system control.
- Domestic hot water heating.

- 1 – Graphic display
- 2 – Move left or reduction
- 3 – Move backwards key
- 4 – Menu entry or selection confirmation
- 5 – Help
- 6 – Move right or increase



2 3 4 5 6

Technical dataArt. no.
page: 101**WHC****WHC +**art. no.
R WHC 100art. no.
R WHC 200

	art. no. R WHC 100	art. no. R WHC 200
Typical application		
Radiator room heating system control	●	●
Floor heating or cooling system control	●	●
Convactor heating or cooling system control	●	●
Wall or ceiling heating or cooling system control	●	●
Domestic hot water heating	●	●
Technical characteristics		
No. of preset hydraulic schemes	7	52
No. of room units	2	2
No. of mechanical relays	6	9
No. of solid state relays	-	1
No. of temperature sensor inputs	7	8
No. of analogue outputs (0÷10 V or PWM) for the control of the circulation pump or an energy source	1	2
BUS option - the interconnection of WHC controllers and connection with other controllers of the same brand	●	●
Wireless room unit & sensors	●	●
System control		
Control of a heating system with radiators	●	●
Floor heating or cooling system control	●	●
Convactor heating or cooling system control	●	●
Wall or ceiling heating or cooling system control	●	●
Domestic hot water heating system control	●	●
Heating circuits control		
Direct circuit	1	1
Mixing circuit	1	2
Domestic hot water heating	●	●
Switchover between direct heating circuit and domestic hot water heating	●	●
Domestic hot water circulation	●	●
Automatic switchover between heat sources	-	●
Control of the supply line constant temperature	●	●
Single-stage storage tank loading	-	●
Heat source control		
Solid fuel boiler	●	●
Solid fuel boiler with a pellet burner	-	●
Liquid fuel boiler	●	●
Liquid fuel boiler with a two-stage burner	●	●
Combined boiler	-	●
Gas flow boiler	-	●
Heat pump	●	●
Storage tank	●	●
Auxiliary heating with electricity	●	●
Solar collectors	-	●
Domestic hot water heating		
With a primary heating source	●	●
With a storage tank	●	●
Using a solar system	-	●
User functions		
Room heating or cooling according to the time programme	●	●
Automatic winter/summer mode switchover	●	●
PARTY function - activation of the comfort operation mode	●	●
ECO function - activation of the economy operation mode	●	●
HOLIDAY function - activation of the operation mode during the holiday season	●	●
Domestic hot water heating according to the time programme	●	●
One-time domestic hot water heating	●	●
BOOST function for intense room heating	●	●
Function for screed drying	●	●

WITA heating controllers

Technical data

	WHC	WHC +
	art. no. R WHC 100	art. no. R WHC 200
Heating system protection		
Anti-legionella protection (for a controlled energy source)	●	●
Storage tank overheating protection	●	●
Boiler overheating protection	●	●
Collector frost protection	-	●
Forced pump start at the highest collector temperature	-	●
Switching off of the collectors when the safety temperature has been exceeded	-	●
Solar system protection when collectors are overheating	-	●
Storage tank recooling to the desired temperature	●	●
Periodic starting up of pumps and mixing valves during a period of inactivity	●	●
A comprehensive overview of the heating system operation		
Graphic display of temperatures according to days of the last week	●	●
Detailed display of temperatures for the current day	●	●
Notifications on the activated protection functions and warnings about system failures	●	●
Possibility to simulate sensors and analyse the system operation	●	●
Remote access		
Possibility of USB connection to a PC	●	●
Connectivity to the home platform providing remote control using a smartphone or tablet	●	●
Setup and installation		
Wizard for an easy and quick device start-up	●	●
13-language user interface: EN, DE, FR, NL, PL, ES, SL, IT, CS, LT, GR, HU, HR	●	●
Setting up the operation by selecting the hydraulic scheme	●	●
“Help” button for quick help with the setup	●	●
Graphically adjustable time programmes	●	●
Option to simulate the system operation	●	●
Logging and display of changes made to the setup	●	●
Option for retrieval of the basic setup in the event of data loss or unwanted changes	●	●
Option for programming free outputs	●	●
Possibility of installation onto the wall or into a cutout (opening)	●	●
Simple installation and connection	●	●

Outlined features

WHC controller installation

The WHC controller is used for the control of modern heating systems or as a replacement controller in older heating systems. It can be installed into a standard cutout on the boiler or on the wall.



Example of installation into a cutout or aperture on the boiler



Example of installation onto the wall

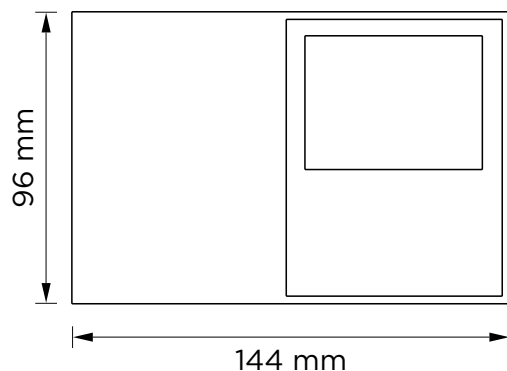


Technical specifications

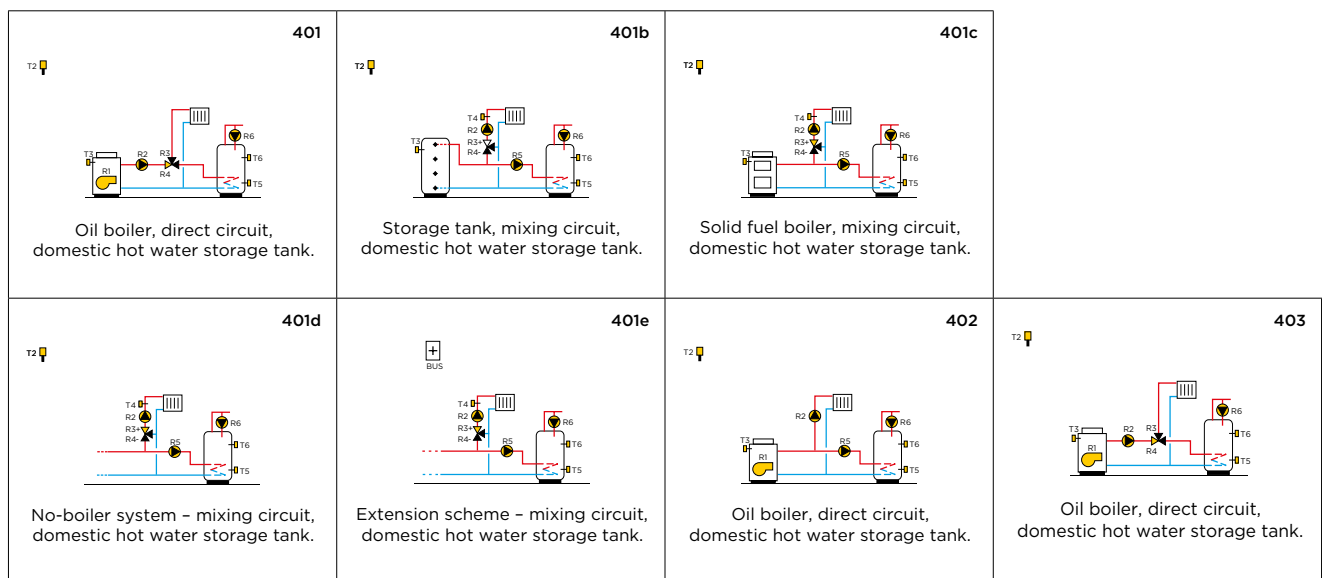
WHC, WHC +

Backlit graphic display	•
Operating hours meter	•
Weekly program timer	•
Connection voltage	230 V~, 50 Hz
Own consumption	5 W
Energy consumption in the standby mode	Max. 0.5 W
Relay outputs	4 (1) A-, 230 V-
Triac output	1 (1) A-, 230 V-
Clock power supply	Battery CR1025 (Li-Mn) 3 V
Clock accuracy	+/-1 s (24 h) at 20 °C
Degree of protection	IP20 according to EN 60529
Safety class	I according to EN 60730-1
Operation mode	1B according to EN 60730-1
Type of temperature sensors	Pt1000 or KTY10
Operation mode	3-point PID
Housing material	ASA + PC - thermoplastic
Permissible ambient temperature	5÷40 °C
Storage temperature	-20÷65 °C
Product weight	570 g

Dimensions

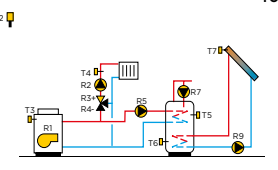
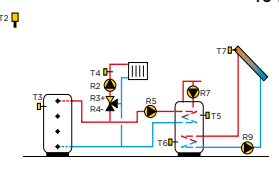
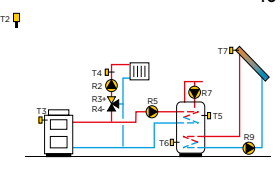
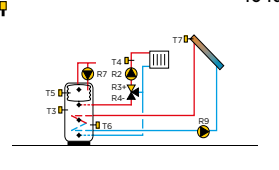
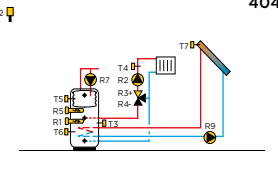
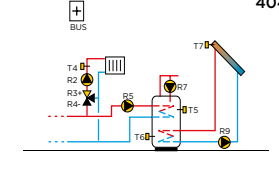
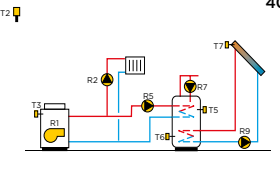
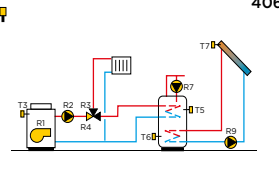
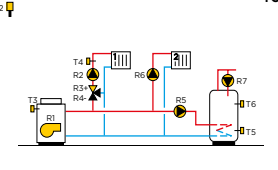
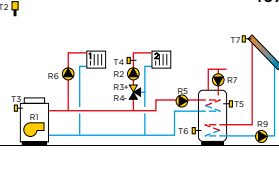
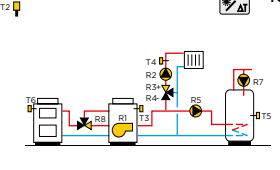
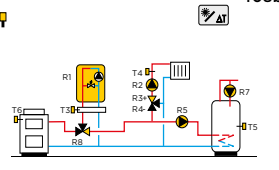
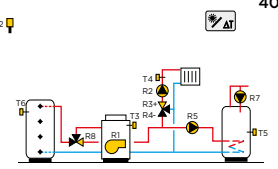
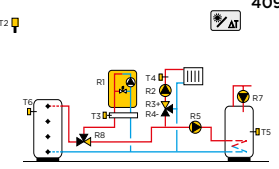
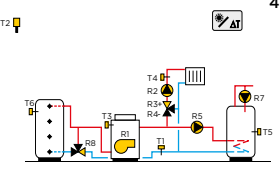
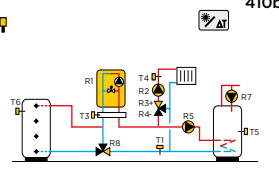
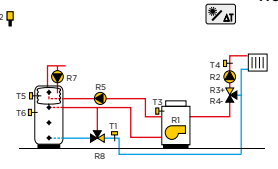
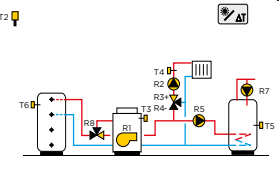
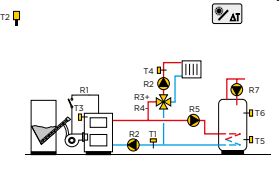
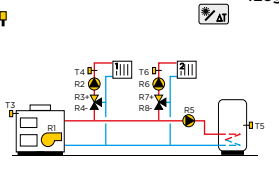
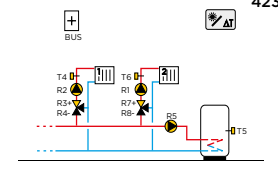


Hydraulic schemes for WHC and WHC +

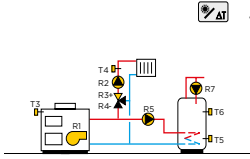
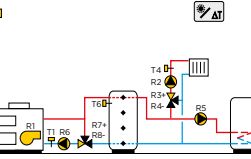
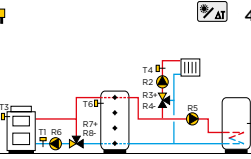
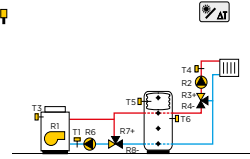
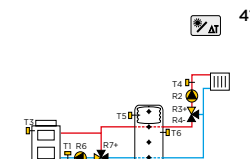
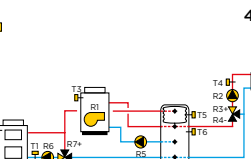
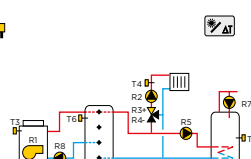
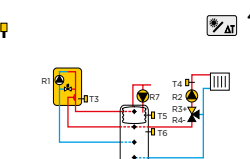
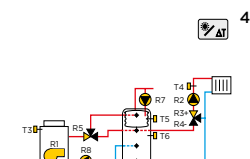
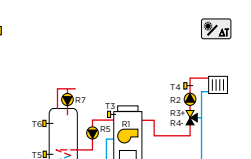
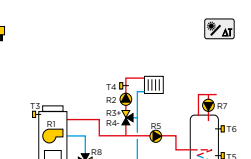
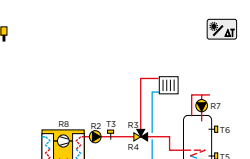
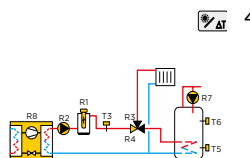
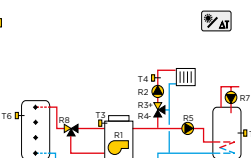
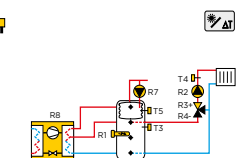
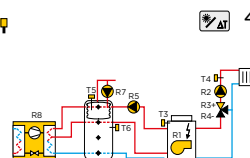
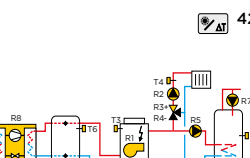
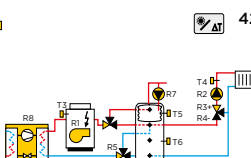
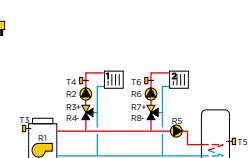
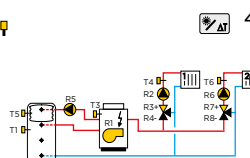
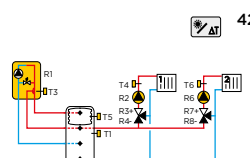
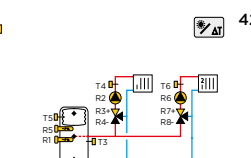
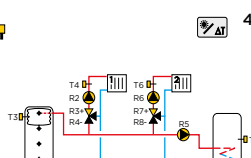
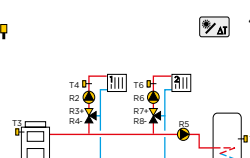


WITA heating controllers

Hydraulic schemes for WHC +

<p>404</p>  <p>Oil boiler, mixing circuit, domestic hot water storage tank, solar collectors.</p>	<p>404b</p>  <p>Storage tank, mixing circuit, domestic hot water storage tank, solar collectors.</p>	<p>404c</p>  <p>Solid fuel boiler, mixing circuit, domestic hot water storage tank, solar collectors.</p>	<p>404d</p>  <p>Storage tank with integrated domestic hot water storage tank, mixing circuit, solar collectors.</p>
<p>404e</p>  <p>Storage tank with integrated domestic hot water storage tank, mixing circuit, auxiliary heating with electricity, solar collectors.</p>	<p>404f</p>  <p>Extension scheme - mixing circuit, domestic hot water storage tank, solar collectors.</p>	<p>405</p>  <p>Oil boiler, direct circuit, domestic hot water storage tank, solar collectors.</p>	<p>406</p>  <p>Oil boiler, direct circuit, domestic hot water storage tank, solar collectors.</p>
<p>407</p>  <p>Oil boiler, mixing circuit, direct circuit, domestic hot water storage tank.</p>	<p>407b</p>  <p>Oil boiler, mixing circuit, direct circuit, domestic hot water storage tank, solar collectors.</p>	<p>408</p>  <p>Solid fuel boiler, oil boiler, mixing circuit, domestic hot water storage tank.</p>	<p>408b</p>  <p>Solid fuel boiler, gas boiler, mixing circuit, domestic hot water storage tank.</p>
<p>409</p>  <p>Storage tank, oil boiler, mixing circuit, domestic hot water storage tank.</p>	<p>409b</p>  <p>Storage tank, gas boiler, mixing circuit, domestic hot water storage tank.</p>	<p>410</p>  <p>Storage tank, oil boiler, mixing circuit, domestic hot water storage tank.</p>	<p>410b</p>  <p>Storage tank, gas boiler, mixing circuit, domestic hot water storage tank.</p>
<p>410c</p>  <p>Storage tank with integrated domestic hot water storage tank, oil boiler, mixing circuit.</p>	<p>411</p>  <p>Storage tank, oil boiler, mixing circuit, domestic hot water storage tank.</p>	<p>412</p>  <p>Pellet boiler, mixing circuit, domestic hot water storage tank.</p>	<p>423g</p>  <p>Combined boiler (solid fuel/oil), 2 mixing circuits, domestic hot water storage tank.</p>
<p>423h</p>  <p>Extension scheme, combined boiler (solid fuel/oil), domestic hot water storage tank, 2 mixing circuits.</p>			

Hydraulic schemes for WHC +

 <p>418</p> <p>Combined boiler (solid fuel/oil), mixing circuit, domestic hot water storage tank.</p>	 <p>417</p> <p>Combined boiler (solid fuel/oil), storage tank, mixing circuit, domestic hot water storage tank.</p>	 <p>414b</p> <p>Solid fuel boiler, storage tank, mixing circuit, domestic hot water storage tank.</p>	 <p>415</p> <p>Combined boiler (solid fuel/oil), storage tank with integrated domestic hot water storage tank, mixing circuit.</p>
 <p>415b</p> <p>Solid fuel boiler, storage tank with integrated domestic hot water storage tank, mixing circuit.</p>	 <p>415c</p> <p>Solid fuel boiler, oil boiler, storage tank with integrated domestic hot water storage tank, mixing circuit.</p>	 <p>416</p> <p>Oil boiler, storage tank, mixing circuit, domestic hot water storage tank.</p>	 <p>416b</p> <p>Gas boiler, storage tank with integrated domestic hot water storage tank, mixing circuit.</p>
 <p>416c</p> <p>Oil boiler, storage tank with integrated domestic hot water storage tank, mixing circuit.</p>	 <p>417</p> <p>Combined boiler (solid fuel/oil), mixing circuit, domestic hot water storage tank.</p>	 <p>418</p> <p>Combined boiler (solid fuel/oil), mixing circuit, domestic hot water storage tank.</p>	 <p>419</p> <p>Heat pump, direct circuit, domestic hot water storage tank.</p>
 <p>420</p> <p>Heat pump, auxiliary heating with electricity, direct circuit, domestic hot water storage tank.</p>	 <p>421</p> <p>Oil boiler, storage tank, mixing circuit, domestic hot water storage tank.</p>	 <p>422</p> <p>Heat pump, storage tank with integrated domestic hot water storage tank, auxiliary heating with electricity, mixing circuit.</p>	 <p>422b</p> <p>Heat pump, oil boiler, storage tank with integrated domestic hot water storage tank, mixing circuit.</p>
 <p>422c</p> <p>Heat pump, oil boiler, storage tank, mixing circuit, domestic hot water storage tank.</p>	 <p>422d</p> <p>Heat pump, oil boiler, storage tank with integrated domestic hot water storage tank, mixing circuit.</p>	 <p>423</p> <p>Oil boiler, 2 mixing circuits, domestic hot water storage tank.</p>	 <p>423b</p> <p>Storage tank with integrated domestic hot water storage tank, oil boiler, 2 mixing circuits.</p>
 <p>423c</p> <p>Gas boiler, storage tank with integrated domestic hot water storage tank, 2 mixing circuits.</p>	 <p>423d</p> <p>Storage tank with integrated domestic hot water storage tank, heating with electricity, 2 mixing circuits.</p>	 <p>423e</p> <p>Storage tank, 2 mixing circuits, domestic hot water storage tank.</p>	 <p>423f</p> <p>Solid fuel boiler, 2 mixing circuits, domestic hot water storage tank.</p>

Actuators



WITA Fixed-setpoint controller

Product description

The actuator is a temperature controller for heating or cooling systems. Its purpose is to maintain a constant setpoint temperature at the return in heating or cooling systems, to regulate room heating. The drive is fitted with a special mounting flange. By pressing the mounting/dismounting button the controller can be easily mounted or removed on the mixing valve or other valve without using any extra tools. With pre-assembled connection cables, such as the power mains and temperature sensor with cable, the SM WR FR actuator is immediately ready for operation. The control unit of the actuator is designed to be resistant to blocking for a long time. The actuator is equipped with a color

display, indicating the unit's basic operating temperature. The orientation of the display continuously adapts to the mounting position of the controller. There are 4 control buttons under the manual movement button for configuring the fixed setpoint temperature controller. When the manual mode clutch is activated, the motor of the temperature controller switches off for energy saving reasons. The setup of the temperature controller is carried out with the start-up assistant. After selecting the parameters, such as:

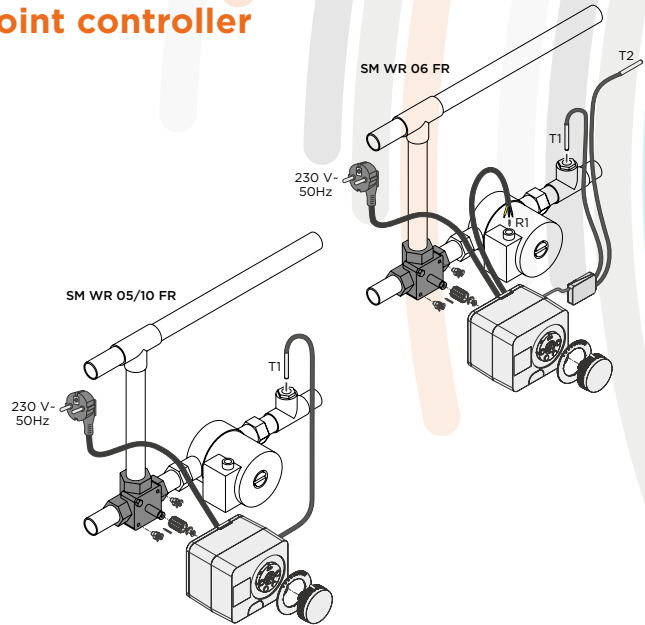
- type of application (heating or cooling)
- hydraulic placement (control of supply or return side) you can configure the operating parameters of the controller.

Art. no.
page: 102

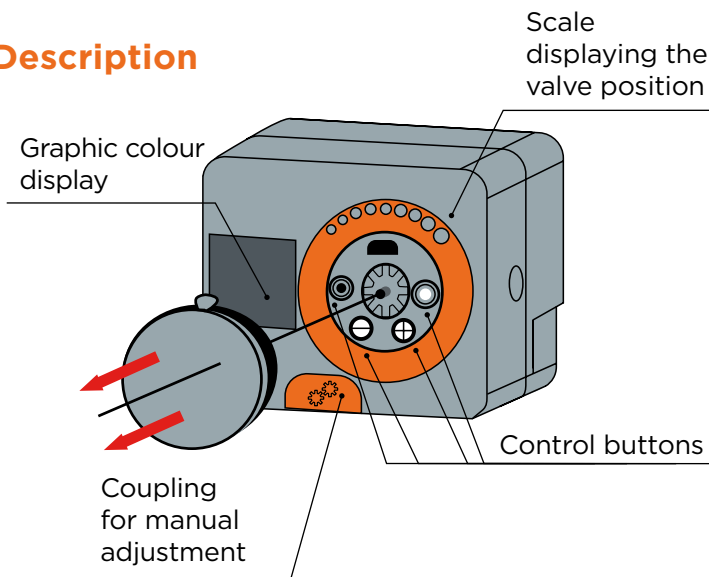
Technical data	SM WR 05 FR	SM WR 06 FR	SM WR 10 FR
Torque	5 Nm	6 Nm	10 Nm
Rotation angle	90°	90°	90°
Rotational speed	2 Min./90°	2 Min./90°	2 Min./90°
Operating mode	3-point PID	3-point PID	3-point PID
Circulation pump control	-	2-point on/off	-
Control output	-	electronic relay, 1A, 250 V-	-
Supply voltage	230 V AC, 50 Hz	230 V AC, 50 Hz	230 V AC, 50 Hz
Power consumption	max. 5 W	max. 5 W	max. 5 W
Power consumption in standby mode	max. 0.5 W	max. 0.5 W	max. 0.5 W
Temperature range	0 °C - 50 °C	0 °C - 50 °C	0 °C - 50 °C
Protection rating	I according to EN 60730-1	I according to EN 60730-1	I according to EN 60730-1
Protection class	IP 42 according to EN 60529	IP 42 according to EN 60529	IP 42 according to EN 60529
Dimensions (W x L x H)	95 x 80 x 92 mm	95 x 80 x 92 mm	95 x 80 x 92 mm
Weight	ca. 900 g	ca. 900 g	ca. 900 g
Colour / material	dark grey / polycarbonate	dark grey / polycarbonate	dark grey / polycarbonate

Product advantages of the fixed setpoint controller

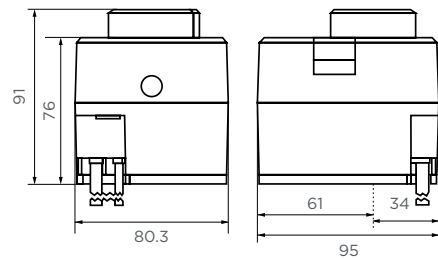
- Easy assembly and configuration
- Temperature range 10 °C - 90 °C
- Selectable temperature range
- Selection of hydraulic systems is 0 - 50 °C
- Selection and configuration of rotation direction
- Digital display of temperatures
- Setting of heating or cooling mode
- Signaling of the rotation direction
- Signaling in case of broken sensor
- PID control of mixing valves and other valves
- Protection against frost and overheating
- Blockage resistant



Description

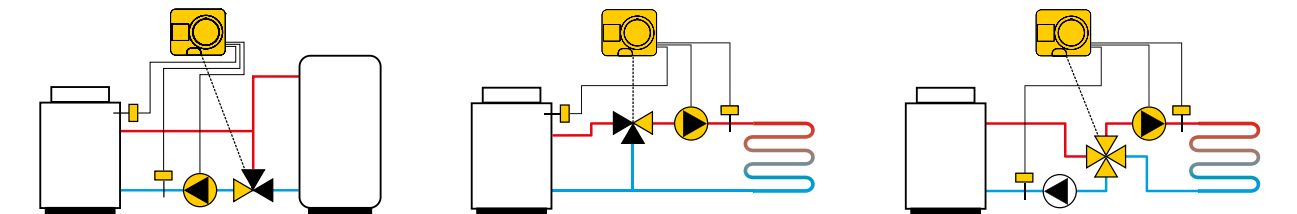


Dimensions



All product dimensions are presented in mm.

Examples of application SM WR FR



1. Control of return-pipe temperature.

2. Control of supply temperature.

3. Control of supply temperature and limitation of return-pipe temperature.

Actuators



WITA Actuators

Product description

The actuators are used to control the position of rotary mixing valves, ball valves and other valves. Their modern design and the use of high-quality materials ensure reliable and silent operation. By pressing the mounting button on the actuator, assembly and disassembly are carried out without any extra tools.

By pressing the release button for manual adjustment (manual clutch) any position of the valve can be set by hand. During operation the direction of rotation is indicated by LEDs.

Technical features

- Torque 5 Nm, 10 Nm or 15 Nm
- Rotation angle 90°
- Rotational speed 2 min./90°
(option 15 s/90°, 30 s/90°, 60 s/90°, 120 s/90°, 240 s/90°, 480 s/90°)
- 2-point, 3- point or proportional operating mode
- Suitable for assembly on rotary mixing valve
- Display of the current valve position
- Rotation direction indicated by LEDs
- No damage of the actuator if the valve is blocked
- Possibility of the manual adjustment of the mixing valve to any position by permanent coupling
- Silent and reliable operation
- Maintenance-free
- Quick and easy assembly without any extra tools

Technical data

| SM W05

| SM W10

| SM W15

Art. no.
page: 102 - 103

Torque	5 Nm	10 Nm	15 Nm
Rotation angle	90°		
Rotational speed	2 Min./90° (15 s/90°, 30 s/90°, 60 s/90°, 120 s/90°, 240 s/90°, 480 s/90°)		
Operating mode	2-point (230 V, 50 Hz) 3-point (230 V, 50 Hz) proportional 0 (2) - 10 V (24 V ac/dc) / 0 (4) - 20 mA (24 V ac/dc)		
Additional switch	settable 0° - 90° (250 V, 3 A)		
Temperature range	0 °C - 50 °C		
Rated power	2.5-4 VA		
Protection	Protection class II, protection rating IP42		
Dimensions (W x L x H)	84 x 102 x 91 mm		
Weight	390-630 g	600-860 g	600-860 g
Colour / material	dark grey / polycarbonate		

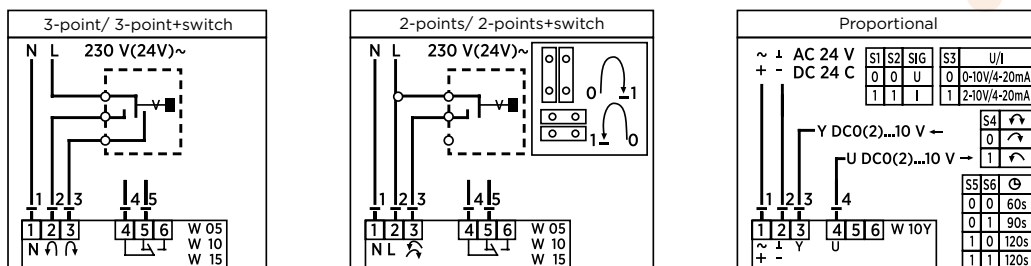
Variants of assembly kits

- Esbe, Seltron, Somatherm, Hora, PAW, WITA® Acaso, BRV, IMIT, Ivar, Hoval, Olymp
- Siemens VBI, VBF
- Meibes
- Esbe VRG
- PAW K32, K33, K34
- Danfoss HRB3
- Ball valve ISO5211, F03, L (9 mm)
- Ball valve ISO5211, F04, L (11 mm)
- Ball valve Belimo R2..xx-S.., F04, L (10 mm)
- Herz MV3P, MV4P
- Honeywell V544-543

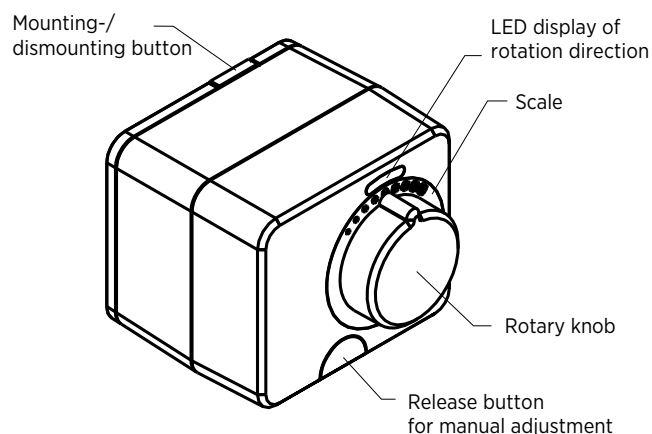
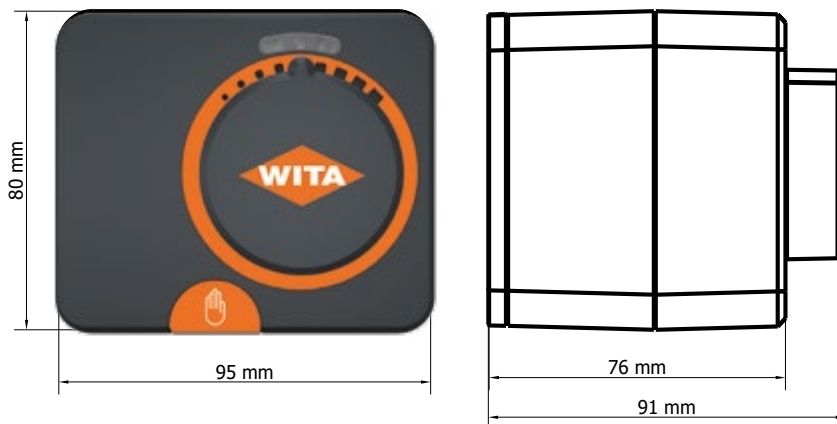
Assembly kits for other valves on request.

Product data: see catalogue, p. 102-103

Electrical connection

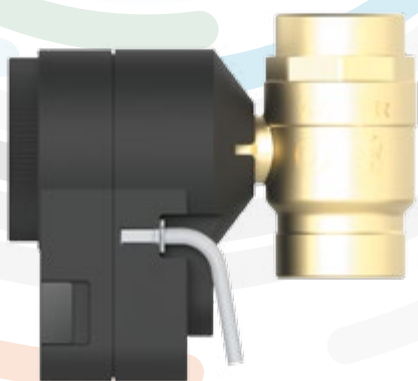


Dimensions



Actuators

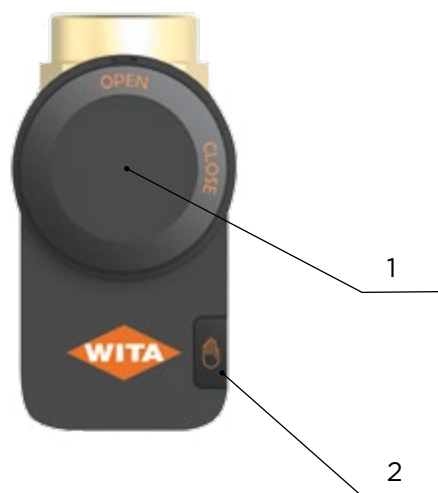
WITA Actuator SM Mini KV



Features

- Minimal flow resistance or flow reduction.
- Suitable for use in domestic and commercial systems.
- Suitable for use in heating systems and hot water systems.
- Very simple and quick installation.
- Indication of the direction of rotation.
- Indication of valve position.
- Built-in clutch for manual operation.
- No damage to the actuator in the event of a valve blockage.
- Completely sealed.

Description of settings buttons



- 1 - Manual movement button.
2 - Clutch for manual movement.



Outlined functions

Manual mode

Manual mode of the SM Mini KV actuator can be activated by pressing the button. Internal drive motor is switched off in manual mode (optional).

Manual mode options

The SM Mini KV actuator is equipped with a manual mode function.

In cases where this is not necessary or allowed, the actuator can only have a valve position indication. In such cases, the actuator can only be moved with the help of a control unit that operates the actuator.

Electrical connection options

The actuator is equipped with two electrical connection options. By default, it is fitted with a 1-meter long cable.

Optionally, instead of a cable, it can be equipped with a 6-pin plug-in connector. This is convenient when the actuator is installed in assemblies with pre-fabricated electrical installations.

Quick and tool-free installation

The installation of the SM Mini KV actuator is tool-free. For mounting, it is necessary to press the actuator onto the valve. For disassembly, it is necessary to forcibly pull the actuator off the valve.

The actuator is protected against self-actuated removal from the valve.

Typical application

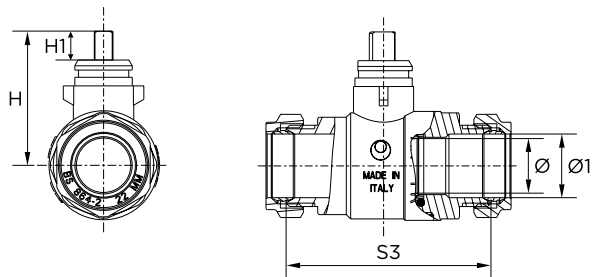
Art. no.
page: 103

SM Mini KV
with 2-way ball valve

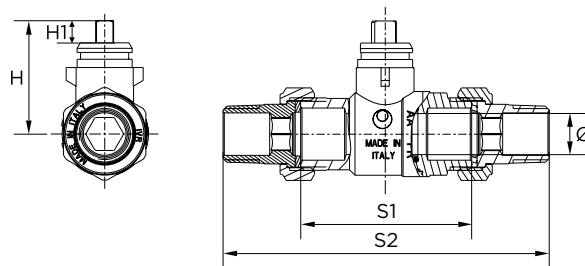
SM Mini KV
with 3-way ball valve

Switchover from a solid fuel boiler to an oil boiler	-	●
Switchover from a solid fuel boiler to a gas boiler	-	●
Switchover of the storage tank to an oil boiler	-	●
Switchover of the storage tank to a gas boiler	-	●
Switchover between a solid fuel boiler and a solar system (domestic hot water heating)	-	●
Switchover between an oil boiler and a solar system (domestic hot water heating)	-	●
Switchover of the heat pump and the solar system (domestic hot water heating)	-	●
Switchover between heating and domestic hot water heating	-	●
Switchover of the collectors field	-	●
Switchover of the domestic hot water storage tank to the storage tank (solar system)	-	●
Switchover of the domestic hot water storage tank to the pool (solar system)	-	●
Switchover between two heat exchangers	-	●
ON/OFF zone control of systems	●	-
As a blocking element for heating systems	●	-
As a blocking element for domestic hot water systems	●	-
As a blocking element for cooling systems	●	-
As a blocking element in processing industry and agriculture	●	-

V23..



V25..

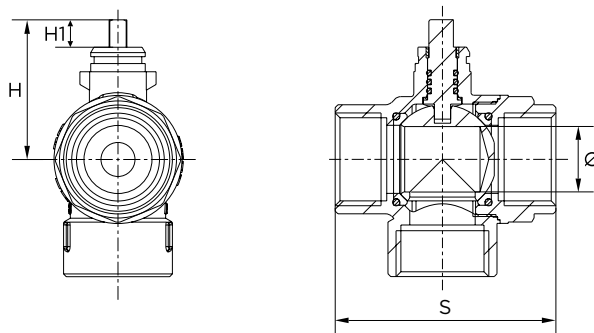


Actuator SM Mini KV with 3 way ball valve

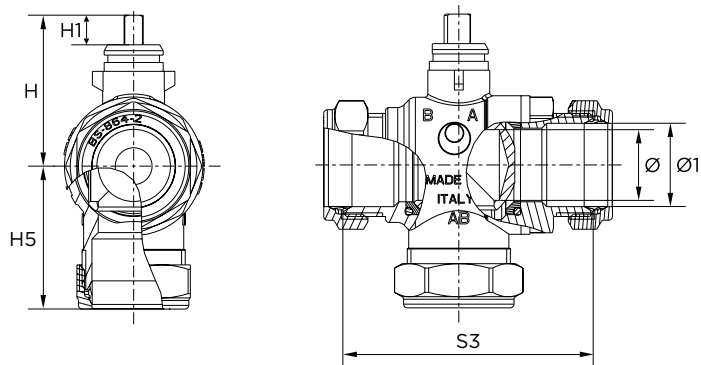
Technical specifications for 3-way ball valve V

Dimensions (mm)	DN 20	DN 25	DN 32
H	46.8	51.3	57.8
H1	10	10	10
H2	40	43	52
H3	40	42	52
H4	72	75.5	89
H5	40	42	-
Ø	19	24	32
Ø1	22	28	-
S	68	81	92
S1	73	85	90
S2	137	152	165
S3	72	85	-
Weight (g)			
VC1..	415	615	910
VC5..	720	1180	1720
VC3..	495	710	-

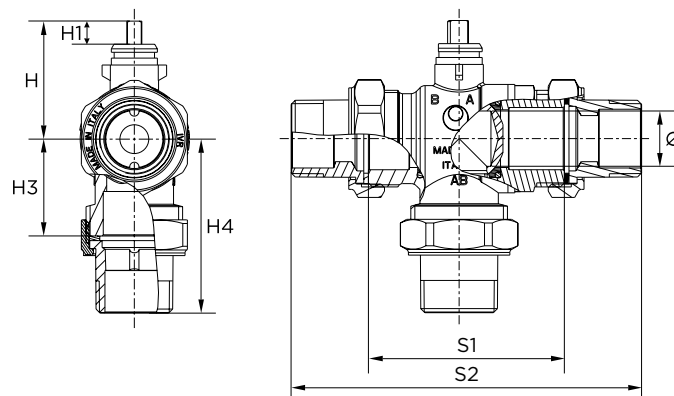
VC1..



VC3..



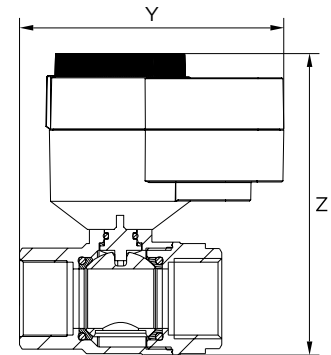
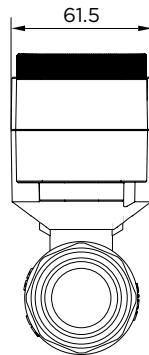
VC5..



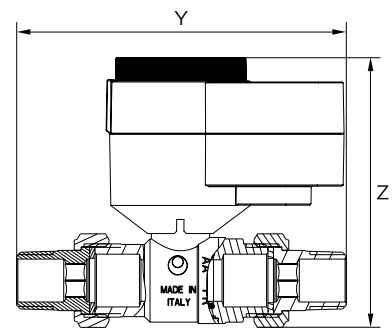
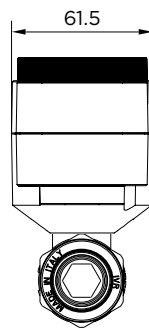
Actuators

Actuator SM MINI KV with 2-way ball valve

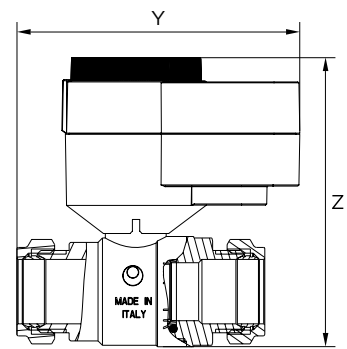
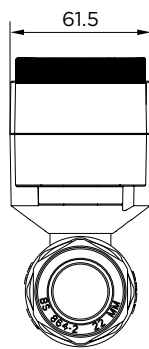
Valve type	DN	Z	Y	Kvs
V2115	DN 15	92.3	101	20
V2120	DN 20	95.8	101	45
V2125	DN 25	100.3	105.2	60
V2132	DN 32	105.3	107.7	100



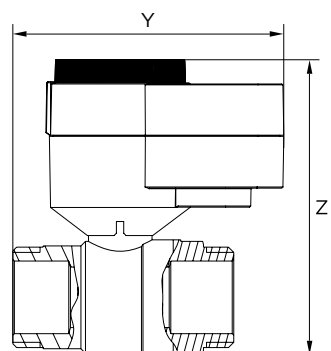
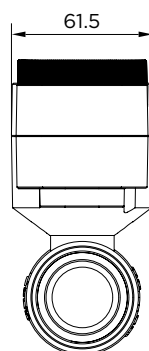
Valve type	DN	Z	Y	Kvs
V2515	DN 15	92.3	124.2	20
V2520	DN 20	95.8	138	45
V2525	DN 25	100.3	149	60
V2532	DN 32	105.3	158	100



Valve type	DN	Z	Y	Kvs
V2315	DN 15	92.3	101	20
V2320	DN 20	95.8	101	45
V2325	DN 25	100.3	105.7	60

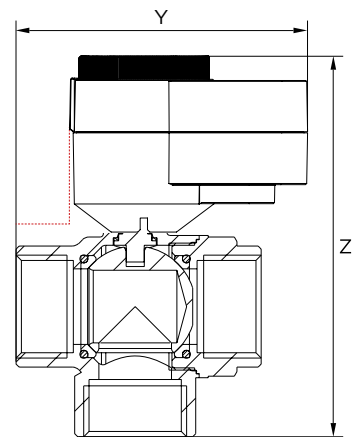
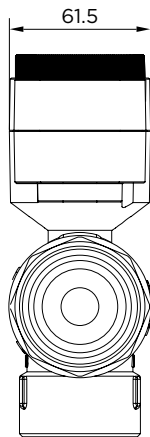


Valve type	DN	Z	Y	Kvs
V2215	DN 15	92.3	101	20
V2220	DN 20	95.8	101.7	45
V2225	DN 25	100.3	105.7	60
V2232	DN 32	105.3	106.2	100

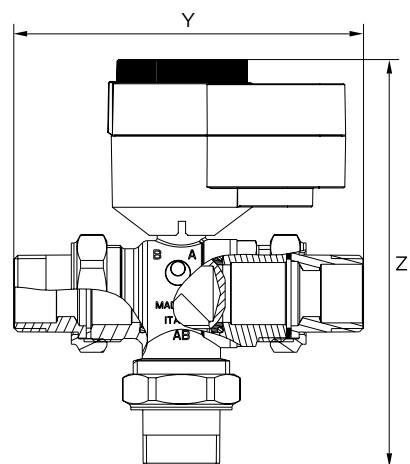
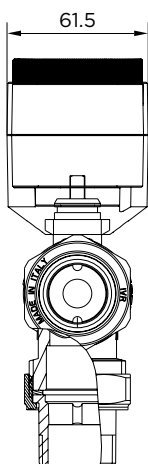


Actuator SM MINI KV with 3-way ball valve

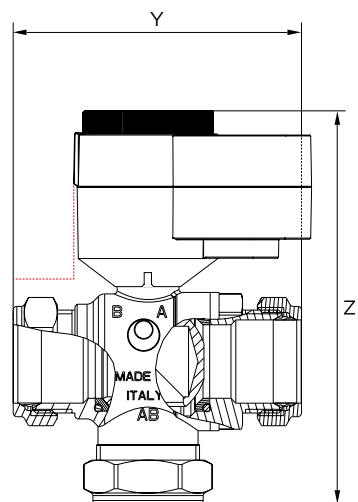
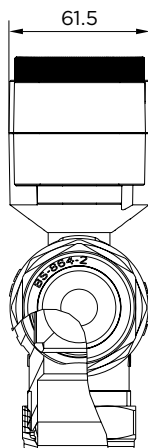
Valve type	DN	Z	Z1	Y	Kvs
VC120	DN 20	95.8	135.8	101	9.6
VC125	DN 25	100.3	143.3	105.2	11.3
VC132	DN 32	106.8	158.8	110.7	25



Valve type	DN	Z	Z1	Y	Kvs
VC520	DN 20	95.8	167.8	137	9.6
VC525	DN 25	100.3	175.8	152	11.3
VC532	DN 32	106.8	195.8	165	25



Valve type	DN	Z	Z1	Y	Kvs
VC320	DN 20	95.8	135.8	101	9.6
VC325	DN 25	100.3	142.3	107.2	11.3



Sludge separators

WITA Trap MS



Product description

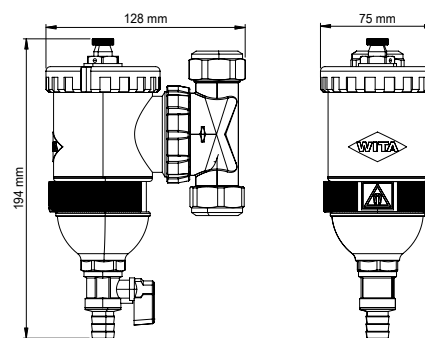
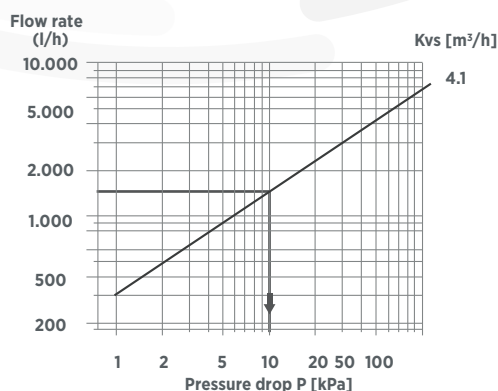
The WITA® Trap MS sludge and magnetite separator is made of brass, and helps to achieve a reliable operation and protection of your circulation/high efficiency pumps and valve. It is used to remove sludge, impurities and magnetic particles from heating, cooling and solar systems. Ferrous impurities (magnetite) as well as non-magnetic impurities and sludge from the heating water (according to VDI 2035), which occur in both, old and new systems, are filtered out. The collected impurities can be pressed out, quickly and powerfully, by simply removing the magnetic clip (can be done even while the system is running) then opening the drain valve.

Technical features

- Efficient removal of impurity particles (> 5 µm)
- Protects the pump and other sensitive elements of the system
- Simple, quick and safe emptying of the sludge separator during system operation
- Protects the heating system against sludge build-up and wear and thus from malfunctions or even standstill
- Protects pumps and fittings
- Suitable for heating, cooling and solar systems

Art. no.

A 60 000 - Insulation sold separately



Technical data

Art. no.
page: 104

Kvs-value	4.1 m ³ /h
Material	brass
Connection outer diameter	22 mm
Maximum system pressure	1 MPa / 10 bars
Operating temperature	0 °C - 90 °C
Size of impurity particle	>5 µm
Pumped medium	heating water according to VDI 2035
Insulation	insulation included
Magnet strength	250 mT; 2 500 G



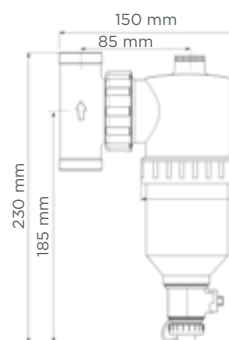
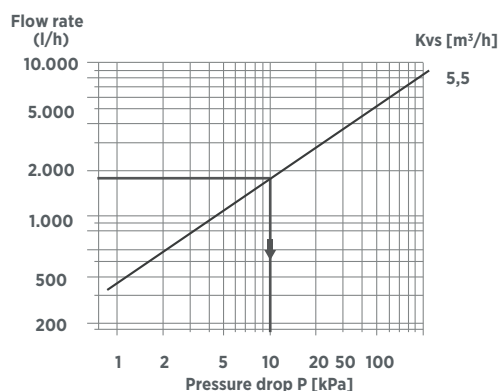
WITA Trap KS

Product description

The WITA® Trap KS sludge and magnetite separator is made of plastic, and helps to protect your circulation/high efficiency pumps and valves reliably. It is used to remove sludge, impurities and magnetic particles from heating, cooling and solar systems. Ferrous impurities (magnetite) as well as non-magnetic impurities and sludge from the heating water (according to VDI 2035), which occur in both, old and new systems, are filtered out. The WITA Trap KS can be installed in horizontal or vertical pipe systems and offers thus a wide range of possible applications.

Technical features

- Efficient removal of impurity particles ($> 5 \mu\text{m}$)
- Protects the pump and other sensitive elements of the system
- Simple, quick and safe emptying of the sludge separator during system operation
- Protects the heating system against sludge build-up and wear and thus from malfunctions or even standstill
- Protects pumps and fittings
- Suitable for heating, cooling and solar systems
- Incl. 2 shut-off ball valves, each in $\frac{3}{4}$ " or 1"



Technical data

Art. no.
page: 104

Kvs-value	5.5 m ³ /h
Material	nylon
Nominal width	DN 25
Connection thread	G 1" / $\frac{3}{4}$ "
Maximum system pressure	1 MPa / 10 bars
Operating temperature	0 °C - 90 °C
Size of impurity particle	$>5 \mu\text{m}$
Pumped medium	heating water according to VDI 2035
Maximum flow rate	2.2 m ³ /h
Magnet strength	1.2 T; 12 000 G

WITA Trap Therm



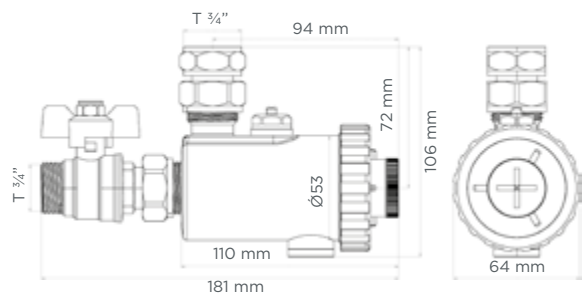
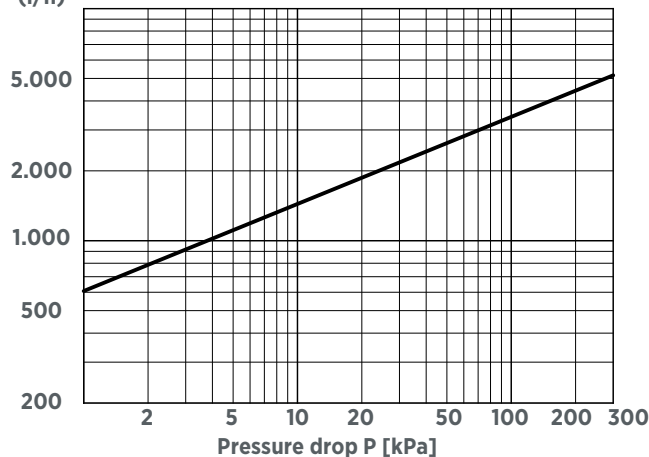
Product description

The thermal sludge and magnetite separator WITA Trap Therm filters all magnetic and non-magnetic impurities from the heating circuit and thus extends the service life of the boiler. The impurities are collected in a robust filter body with a two-layer filtering mesh made of stainless steel, which can then be easily cleaned. It has a venting function and can be easily installed and maintained.

Technical features

- Efficient removal of impurity particles
- Protects the pump and other sensitive elements of the system
- Simple, quick and safe emptying of the sludge separator
- Protects the boiler against sludge build-up and wear and thus from malfunctions or even standstill
- Protects pumps and fittings

Flow rate
(l/h)



Water inlet towards down also available.

Technical data

Art. no.
page: 104

Kvs-value	3.42 m ³ /h
Material	brass, nylon
Connection thread	G 3/4"
Maximum system pressure	1 MPa / 10 bars
Operating temperature	0 °C - 120 °C
Degree of filtration	>400 µm
Pumped medium	heating water according to VDI 2035
Magnet strength	1 T; 10 000 G

Female threaded 3/4" fitting for connection to the boiler

Venting screw

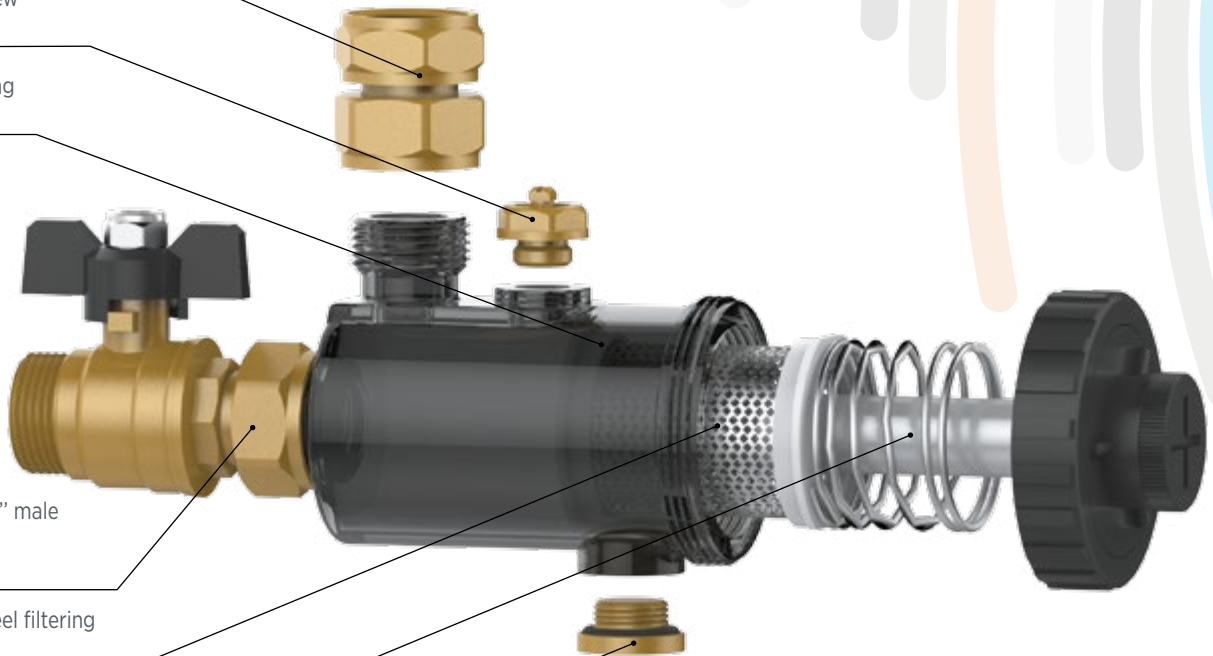
Filter housing

Ball valve 3/4" male thread

Stainless steel filtering cartridge

Neodymium magnet

Drain screw



Product advantages

- Very compact design
- Easy assembly & maintenance
- Reliable protection of the heating boiler

The impurities are collected in a robust filter body with a two-layer filtering mesh made of stainless steel, which can then be easily cleaned. It has a venting function and impresses with its easy maintenance and installation on the return pipe of the heating boiler.

The magnet inside of the filter housing removes all magnetic particles from the liquid flowing through it

All non-magnetic particles are collected by the filtering cartridge

This achieves continuous protection of the boiler

WITA go.tec 40 | 60 | 70 | 80

Technical data see catalogue page 17

Article	Housing	Installation length (mm)	DN	Connection thread	Head (m)	Operating voltage	Article No	Price group
go.tec 40-15-130	GG	130	15	G 1"	4	230 V AC/50 Hz	U GOT15-4-130	PG 1
go.tec 40-25-130	GG	130	25	G 1 1/2"	4	230 V AC/50 Hz	U GOT25-4-130	PG 1
go.tec 40-25-180	GG	180	25	G 1 1/2"	4	230 V AC/50 Hz	U GOT25-4-180	PG 1
go.tec 40-32-180	GG	180	32	G 2"	4	230 V AC/50 Hz	U GOT32-4-180	PG 1
go.tec 60-15-130	GG	130	15	G 1"	6	230 V AC/50 Hz	U GOT15-6-130	PG 1
go.tec 60-25-130	GG	130	25	G 1 1/2"	6	230 V AC/50 Hz	U GOT25-6-130	PG 1
go.tec 60-25-180	GG	180	25	G 1 1/2"	6	230 V AC/50 Hz	U GOT25-6-180	PG 1
go.tec 60-32-180	GG	180	32	G 2"	6	230 V AC/50 Hz	U GOT32-6-180	PG 1
go.tec 70-15-130	GG	130	15	G 1"	7	230 V AC/50 Hz	U GOT15-7-130	PG 1
go.tec 70-25-130	GG	130	25	G 1 1/2"	7	230 V AC/50 Hz	U GOT25-7-130	PG 1
go.tec 70-25-180	GG	180	25	G 1 1/2"	7	230 V AC/50 Hz	U GOT25-7-180	PG 1
go.tec 70-32-180	GG	180	32	G 2"	7	230 V AC/50 Hz	U GOT32-7-180	PG 1
go.tec 80-15-130	GG	130	15	G 1"	8	230 V AC/50 Hz	U GOT15-8-130	PG 1
go.tec 80-25-130	GG	130	25	G 1 1/2"	8	230 V AC/50 Hz	U GOT25-8-130	PG 1
go.tec 80-25-180	GG	180	25	G 1 1/2"	8	230 V AC/50 Hz	U GOT25-8-180	PG 1
go.tec 80-32-180	GG	180	32	G 2"	8	230 V AC/50 Hz	U GOT32-8-180	PG 1

Power cable supply for go.tec pump

Technical data see catalogue page 19

Article	Article No	Price group
1 m power supply	U 00090	PG 10
2 m power supply	U 00091	PG 10
3 m power supply	U 00092	PG 10
4 m power supply	U 00093	PG 10

PWM cable for go.tec pump

Technical data see catalogue page 19

Article	Article No	Price group
1 m PWM cable	U 0030	PG 10
2 m PWM cable	U 0031	PG 10
3 m PWM cable	U 0032	PG 10
4 m PWM cable	U 0033	PG 10

Insulation for go.tec

Article	Article No	Price
insulation for go.tec 130 mm	U 00 131	PG 10
insulation for go.tec 180 mm	U 00 181	PG 10

WITA go.max 40 | 60

Technical data see catalogue page 20

Article	Pump housing	Installation length (mm)	DN	Connection thread	Head (m)	Operating voltage	Article No	Price group
go.max 40/60-15-130	GG	130	15	G 1"	4-6	230 V AC/50 Hz	U GMX15-4/6-130	PG 1
go.max 40/60-25-130	GG	130	25	G 1 1/2"	4-6	230 V AC/50 Hz	U GMX25-4/6-130	PG 1
go.max 40/60-25-180	GG	180	25	G 1 1/2"	4-6	230 V AC/50 Hz	U GMX25-4/6-180	PG 1
go.max 40/60-32-180	GG	180	32	G 2"	4-6	230 V AC/50 Hz	U GMX32-4/6-180	PG 1

WITA go.max 80 | 100 | 120

Technical data see catalogue page 21

Article	Pump housing	Installation length (mm)	DN	Connection thread	Head (m)	Operating voltage	Article No	Price group
go.max 80-25-180	GG	180	25	G 1 1/2"	8	230 V AC/50 Hz	U GMX25-8-180	PG 1
go.max 80-32-180	GG	180	32	G 2"	8	230 V AC/50 Hz	U GMX32-8-180	PG 1
go.max 100-25-180	GG	180	25	G 1 1/2"	10	230 V AC/50 Hz	U GMX25-10-180	PG 1
go.max 100-32-180	GG	180	32	G 2"	10	230 V AC/50 Hz	U GMX32-10-180	PG 1
go.max 120-25-180	GG	180	25	G 1 1/2"	12	230 V AC/50 Hz	U GMX25-12-180	PG 1
go.max 120-32-180	GG	180	32	G 2"	12	230 V AC/50 Hz	U GMX32-12-180	PG 1

WITA go.max 80 | 100 | 120 PWM

Technical data see catalogue page 21

Article	Pump housing	Installation length (mm)	DN	Connection thread	Head (m)	Operating voltage	Article No	Price group
go.max 80-25-180 PWM	GG	180	25	G 1 1/2"	8	230 V AC/50 Hz	U GMX25-8-180PM	PG 1
go.max 80-32-180 PWM	GG	180	32	G 2"	8	230 V AC/50 Hz	U GMX32-8-180PM	PG 1
go.max 100-25-180 PWM	GG	180	25	G 1 1/2"	10	230 V AC/50 Hz	U GMX25-10-180PM	PG 1
go.max 100-32-180 PWM	GG	180	32	G 2"	10	230 V AC/50 Hz	U GMX32-10-180PM	PG 1
go.max 120-25-180 PWM	GG	180	25	G 1 1/2"	12	230 V AC/50 Hz	U GMX25-12-180PM	PG 1
go.max 120-32-180 PWM	GG	180	32	G 2"	12	230 V AC/50 Hz	U GMX32-12-180PM	PG 1

WITA go.future 2 - 40 LED

Technical data see catalogue page 23

Article	Pump housing	Installation length (mm)	DN	Connection thread	Head (m)	Operating voltage	Article No	Price group
40-15 S	GG	130	15	G 1"	4	230V AC/50 Hz	U GO4 131LEDST	PG 1
40-20	GG	180	20	G 1 ¼"	4	230V AC/50 Hz	U GO4 100LEDST	PG 1
40-25	GG	180	25	G 1 ½"	4	230V AC/50 Hz	U GO4 110LEDST	PG 1
40-32	GG	180	32	G 2"	4	230V AC/50 Hz	U GO4 120LEDST	PG 1
40-20 S	GG	130	20	G 1 ¼"	4	230V AC/50 Hz	U GO4 130LEDST	PG 1
40-25 S	GG	130	25	G 1 ½"	4	230V AC/50 Hz	U GO4 140LEDST	PG 1
40-20 SB 110	CuZn	110	20	G 1 ¼"	4	230V AC/50 Hz	U GO4 150LEDST	PG 1
40-25 SB 110	CuZn	110	25	G 1 ½"	4	230V AC/50 Hz	U GO4 160LEDST	PG 1
40-20 SB 130	CuZn	130	20	G 1 ¼"	4	230V AC/50 Hz	U GO4 170LEDST	PG 1
40-25 SB 130	CuZn	130	25	G 1 ½"	4	230V AC/50 Hz	U GO4 180LEDST	PG 1

WITA go.future 2 - 40 LED PWM

Technical data see catalogue page 23

Article	Pump housing	Installation length (mm)	DN	Connection thread	Head (m)	Operating voltage	Article No	Price group
40-15 S PWM	GG	130	15	G 1"	4	230V AC/50 Hz	U GO4 131LEDSTPM	PG 1
40-20 PWM	GG	180	20	G 1 ¼"	4	230V AC/50 Hz	U GO4 100LEDSTPM	PG 1
40-25 PWM	GG	180	25	G 1 ½"	4	230V AC/50 Hz	U GO4 110LEDSTPM	PG 1
40-32 PWM	GG	180	32	G 2"	4	230V AC/50 Hz	U GO4 120LEDSTPM	PG 1
40-20 S PWM	GG	130	20	G 1 ¼"	4	230V AC/50 Hz	U GO4 130LEDSTPM	PG 1
40-25 S PWM	GG	130	25	G 1 ½"	4	230V AC/50 Hz	U GO4 140LEDSTPM	PG 1
40-20 SB 110 PWM	CuZn	110	20	G 1 ¼"	4	230V AC/50 Hz	U GO4 150LEDSTPM	PG 1
40-25 SB 110 PWM	CuZn	110	25	G 1 ½"	4	230V AC/50 Hz	U GO4 160LEDSTPM	PG 1
40-20 SB 130 PWM	CuZn	130	20	G 1 ¼"	4	230V AC/50 Hz	U GO4 170LEDSTPM	PG 1
40-25 SB 130 PWM	CuZn	130	25	G 1 ½"	4	230V AC/50 Hz	U GO4 180LEDSTPM	PG 1

WITA go.future 2 - 40 LED 0-10 V

Technical data see catalogue page 23

Article	Pump housing	Installation length (mm)	DN	Connection thread	Head (m)	Operating voltage	Article No	Price group
40-15 S 0-10 V	GG	130	15	G 1"	4	230V AC/50 Hz	U GO4 131LEDST10V	PG 1
40-20 0-10 V	GG	180	20	G 1 ¼"	4	230V AC/50 Hz	U GO4 100LEDST10V	PG 1
40-25 0-10 V	GG	180	25	G 1 ½"	4	230V AC/50 Hz	U GO4 110LEDST10V	PG 1
40-32 0-10 V	GG	180	32	G 2"	4	230V AC/50 Hz	U GO4 120LEDST10V	PG 1
40-20 S 0-10 V	GG	130	20	G 1 ¼"	4	230V AC/50 Hz	U GO4 130LEDST10V	PG 1
40-25 S 0-10 V	GG	130	25	G 1 ½"	4	230V AC/50 Hz	U GO4 140LEDST10V	PG 1
40-20 SB 110 0-10 V	CuZn	110	20	G 1 ¼"	4	230V AC/50 Hz	U GO4 150LEDST10V	PG 1
40-25 SB 110 0-10 V	CuZn	110	25	G 1 ½"	4	230V AC/50 Hz	U GO4 160LEDST10V	PG 1
40-20 SB 130 0-10 V	CuZn	130	20	G 1 ¼"	4	230V AC/50 Hz	U GO4 170LEDST10V	PG 1
40-25 SB 130 0-10 V	CuZn	130	25	G 1 ½"	4	230V AC/50 Hz	U GO4 180LEDST10V	PG 1

GG = grey cast iron cathaphoresis coated, CuZn = brass

WITA go.future 2 - 60 LED

Technical data see catalogue page 23

Article	Pump housing	Installation length (mm)	DN	Connection thread	Head (m)	Operating voltage	Article No	Price group
60-15 S	GG	130	15	G 1"	6	230V AC/50 Hz	U GO6 131LEDST	PG 1
60-20	GG	180	20	G 1 ¼"	6	230V AC/50 Hz	U GO6 100LEDST	PG 1
60-25	GG	180	25	G 1 ½"	6	230V AC/50 Hz	U GO6 110LEDST	PG 1
60-32	GG	180	32	G 2"	6	230V AC/50 Hz	U GO6 120LEDST	PG 1
60-20 S	GG	130	20	G 1 ¼"	6	230V AC/50 Hz	U GO6 130LEDST	PG 1
60-25 S	GG	130	25	G 1 ½"	6	230V AC/50 Hz	U GO6 140LEDST	PG 1
60-20 SB 110	CuZn	110	20	G 1 ¼"	6	230V AC/50 Hz	U GO6 150LEDST	PG 1
60-25 SB 110	CuZn	110	25	G 1 ½"	6	230V AC/50 Hz	U GO6 160LEDST	PG 1
60-20 SB 130	CuZn	130	20	G 1 ¼"	6	230V AC/50 Hz	U GO6 170LEDST	PG 1
60-25 SB 130	CuZn	130	25	G 1 ½"	6	230V AC/50 Hz	U GO6 180LEDST	PG 1

WITA go.future 2 - 60 LED PWM

Technical data see catalogue page 23

Article	Pump housing	Installation length (mm)	DN	Connection thread	Head (m)	Operating voltage	Article No	Price group
60-15 S PWM	GG	130	15	G 1"	6	230V AC/50 Hz	U GO6 131LEDSTPM	PG 1
60-20 PWM	GG	180	20	G 1 ¼"	6	230V AC/50 Hz	U GO6 100LEDSTPM	PG 1
60-25 PWM	GG	180	25	G 1 ½"	6	230V AC/50 Hz	U GO6 110LEDSTPM	PG 1
60-32 PWM	GG	180	32	G 2"	6	230V AC/50 Hz	U GO6 120LEDSTPM	PG 1
60-20 S PWM	GG	130	20	G 1 ¼"	6	230V AC/50 Hz	U GO6 130LEDSTPM	PG 1
60-25 S PWM	GG	130	25	G 1 ½"	6	230V AC/50 Hz	U GO6 140LEDSTPM	PG 1
60-20 SB 110 PWM	CuZn	110	20	G 1 ¼"	6	230V AC/50 Hz	U GO6 150LEDSTPM	PG 1
60-25 SB 110 PWM	CuZn	110	25	G 1 ½"	6	230V AC/50 Hz	U GO6 160LEDSTPM	PG 1
60-20 SB 130 PWM	CuZn	130	20	G 1 ¼"	6	230V AC/50 Hz	U GO6 170LEDSTPM	PG 1
60-25 SB 130 PWM	CuZn	130	25	G 1 ½"	6	230V AC/50 Hz	U GO6 180LEDSTPM	PG 1

WITA go.future 2 - 60 LED 0-10 V

Technical data see catalogue page 23

Article	Pump housing	Installation length (mm)	DN	Connection thread	Head (m)	Operating voltage	Article No	Price group
60-15 S 0-10 V	GG	130	15	G 1"	6	230V AC/50 Hz	U GO6 131LEDST10V	PG 1
60-20 0-10 V	GG	180	20	G 1 ¼"	6	230V AC/50 Hz	U GO6 100LEDST10V	PG 1
60-25 0-10 V	GG	180	25	G 1 ½"	6	230V AC/50 Hz	U GO6 110LEDST10V	PG 1
60-32 0-10 V	GG	180	32	G 2"	6	230V AC/50 Hz	U GO6 120LEDST10V	PG 1
60-20 S 0-10 V	GG	130	20	G 1 ¼"	6	230V AC/50 Hz	U GO6 130LEDST10V	PG 1
60-25 S 0-10 V	GG	130	25	G 1 ½"	6	230V AC/50 Hz	U GO6 140LEDST10V	PG 1
60-20 SB 110 0-10 V	CuZn	110	20	G 1 ¼"	6	230V AC/50 Hz	U GO6 150LEDST10V	PG 1
60-25 SB 110 0-10 V	CuZn	110	25	G 1 ½"	6	230V AC/50 Hz	U GO6 160LEDST10V	PG 1
60-20 SB 130 0-10 V	CuZn	130	20	G 1 ¼"	6	230V AC/50 Hz	U GO6 170LEDST10V	PG 1
60-25 SB 130 0-10 V	CuZn	130	25	G 1 ½"	6	230V AC/50 Hz	U GO6 180LEDST10V	PG 1

WITA go.future 2 - 40 LCD

Technical data see catalogue page 24

Article	Pump housing	Installation length (mm)	DN	Connection thread	Head (m)	Operating voltage	Article No	Price group
40-15 S	GG	130	15	G 1"	4	230V AC/50 Hz	U GO4 131LCDST	PG 1
40-20	GG	180	20	G 1 ¼"	4	230V AC/50 Hz	U GO4 100LCDST	PG 1
40-25	GG	180	25	G 1 ½"	4	230V AC/50 Hz	U GO4 110LCDST	PG 1
40-32	GG	180	32	G 2"	4	230V AC/50 Hz	U GO4 120LCDST	PG 1
40-20 S	GG	130	20	G 1 ¼"	4	230V AC/50 Hz	U GO4 130LCDST	PG 1
40-25 S	GG	130	25	G 1 ½"	4	230V AC/50 Hz	U GO4 140LCDST	PG 1
40-20 SB 110	CuZn	110	20	G 1 ¼"	4	230V AC/50 Hz	U GO4 150LCDST	PG 1
40-25 SB 110	CuZn	110	25	G 1 ½"	4	230V AC/50 Hz	U GO4 160LCDST	PG 1
40-20 SB 130	CuZn	130	20	G 1 ¼"	4	230V AC/50 Hz	U GO4 170LCDST	PG 1
40-25 SB 130	CuZn	130	25	G 1 ½"	4	230V AC/50 Hz	U GO4 180LCDST	PG 1

WITA go.future 2 - 40 LCD PWM

Technical data see catalogue page 24

Article	Pump housing	Installation length (mm)	DN	Connection thread	Head (m)	Operating voltage	Article No	Price group
40-15 S PWM	GG	130	15	G 1"	4	230V AC/50 Hz	U GO4 131LCDSTPM	PG 1
40-20 PWM	GG	180	20	G 1 ¼"	4	230V AC/50 Hz	U GO4 100LCDSTPM	PG 1
40-25 PWM	GG	180	25	G 1 ½"	4	230V AC/50 Hz	U GO4 110LCDSTPM	PG 1
40-32 PWM	GG	180	32	G 2"	4	230V AC/50 Hz	U GO4 120LCDSTPM	PG 1
40-20 S PWM	GG	130	20	G 1 ¼"	4	230V AC/50 Hz	U GO4 130LCDSTPM	PG 1
40-25 S PWM	GG	130	25	G 1 ½"	4	230V AC/50 Hz	U GO4 140LCDSTPM	PG 1
40-20 SB 110 PWM	CuZn	110	20	G 1 ¼"	4	230V AC/50 Hz	U GO4 150LCDSTPM	PG 1
40-25 SB 110 PWM	CuZn	110	25	G 1 ½"	4	230V AC/50 Hz	U GO4 160LCDSTPM	PG 1
40-20 SB 130 PWM	CuZn	130	20	G 1 ¼"	4	230V AC/50 Hz	U GO4 170LCDSTPM	PG 1
40-25 SB 130 PWM	CuZn	130	25	G 1 ½"	4	230V AC/50 Hz	U GO4 180LCDSTPM	PG 1

WITA go.future 2 - 60 LCD

Technical data see catalogue page 24

Article	Pump housing	Installation length (mm)	DN	Connection thread	Head (m)	Operating voltage	Article No	Price group
60-15 S	GG	130	15	G 1"	6	230V AC/50 Hz	U GO6 131LCDST	PG 1
60-20	GG	180	20	G 1 ¼"	6	230V AC/50 Hz	U GO6 100LCDST	PG 1
60-25	GG	180	25	G 1 ½"	6	230V AC/50 Hz	U GO6 110LCDST	PG 1
60-32	GG	180	32	G 2"	6	230V AC/50 Hz	U GO6 120LCDST	PG 1
60-20 S	GG	130	20	G 1 ¼"	6	230V AC/50 Hz	U GO6 130LCDST	PG 1
60-25 S	GG	130	25	G 1 ½"	6	230V AC/50 Hz	U GO6 140LCDST	PG 1
60-20 SB 110	CuZn	110	20	G 1 ¼"	6	230V AC/50 Hz	U GO6 150LCDST	PG 1
60-25 SB 110	CuZn	110	25	G 1 ½"	6	230V AC/50 Hz	U GO6 160LCDST	PG 1
60-20 SB 130	CuZn	130	20	G 1 ¼"	6	230V AC/50 Hz	U GO6 170LCDST	PG 1
60-25 SB 130	CuZn	130	25	G 1 ½"	6	230V AC/50 Hz	U GO6 180LCDST	PG 1

WITA go.future 2 – 60 LCD PWM

Technical data see catalogue page 24

Article	Pump housing	Installation length (mm)	DN	Connection thread	Head (m)	Operating voltage	Article No	Price group
60-15 S PWM	GG	130	15	G 1"	6	230V AC/50 Hz	U GO6 131LCDSTPM	PG 1
60-20 PWM	GG	180	20	G 1 ¼"	6	230V AC/50 Hz	U GO6 100LCDSTPM	PG 1
60-25 PWM	GG	180	25	G 1 ½"	6	230V AC/50 Hz	U GO6 110LCDSTPM	PG 1
60-32 PWM	GG	180	32	G 2"	6	230V AC/50 Hz	U GO6 120LCDSTPM	PG 1
60-20 S PWM	GG	130	20	G 1 ¼"	6	230V AC/50 Hz	U GO6 130LCDSTPM	PG 1
60-25 S PWM	GG	130	25	G 1 ½"	6	230V AC/50 Hz	U GO6 140LCDSTPM	PG 1
60-20 SB 110 PWM	CuZn	110	20	G 1 ¼"	6	230V AC/50 Hz	U GO6 150LCDSTPM	PG 1
60-25 SB 110 PWM	CuZn	110	25	G 1 ½"	6	230V AC/50 Hz	U GO6 160LCDSTPM	PG 1
60-20 SB 130 PWM	CuZn	130	20	G 1 ¼"	6	230V AC/50 Hz	U GO6 170LCDSTPM	PG 1
60-25 SB 130 PWM	CuZn	130	25	G 1 ½"	6	230V AC/50 Hz	U GO6 180LCDSTPM	PG 1

WITA go.future 2 – light 40

Technical data see catalogue page 25

Article	Pump housing	Installation length (mm)	DN	Connection thread	Head (m)	Operating voltage	Article No	Price group
light 40-15 S	GG	130	15	G 1"	4	230V AC/50 Hz	U GOLI4 131ST	PG 1
light 40-20	GG	180	20	G 1 ¼"	4	230V AC/50 Hz	U GOLI4 100ST	PG 1
light 40-25	GG	180	25	G 1 ½"	4	230V AC/50 Hz	U GOLI4 110ST	PG 1
light 40-32	GG	180	32	G 2"	4	230V AC/50 Hz	U GOLI4 120ST	PG 1
light 40-20 S	GG	130	20	G 1 ¼"	4	230V AC/50 Hz	U GOLI4 130ST	PG 1
light 40-25 S	GG	130	25	G 1 ½"	4	230V AC/50 Hz	U GOLI4 140ST	PG 1
light 40-20 SB 110	CuZn	110	20	G 1 ¼"	4	230V AC/50 Hz	U GOLI4 150ST	PG 1
light 40-25 SB 110	CuZn	110	25	G 1 ½"	4	230V AC/50 Hz	U GOLI4 160ST	PG 1
light 40-20 SB 130	CuZn	130	20	G 1 ¼"	4	230V AC/50 Hz	U GOLI4 170ST	PG 1
light 40-25 SB 130	CuZn	130	25	G 1 ½"	4	230V AC/50 Hz	U GOLI4 180ST	PG 1

WITA go.future 2 – light 40 PWM

Technical data see catalogue page 25

Article	Pump housing	Installation length (mm)	DN	Connection thread	Head (m)	Operating voltage	Article No	Price group
light 40-15 S PWM	GG	130	15	G 1"	4	230V AC/50 Hz	U GOLI4 131STPM	PG 1
light 40-20 PWM	GG	180	20	G 1 ¼"	4	230V AC/50 Hz	U GOLI4 100STPM	PG 1
light 40-25 PWM	GG	180	25	G 1 ½"	4	230V AC/50 Hz	U GOLI4 110STPM	PG 1
light 40-32 PWM	GG	180	32	G 2"	4	230V AC/50 Hz	U GOLI4 120STPM	PG 1
light 40-20 S PWM	GG	130	20	G 1 ¼"	4	230V AC/50 Hz	U GOLI4 130STPM	PG 1
light 40-25 S PWM	GG	130	25	G 1 ½"	4	230V AC/50 Hz	U GOLI4 140STPM	PG 1
light 40-20 SB 110 PWM	CuZn	110	20	G 1 ¼"	4	230V AC/50 Hz	U GOLI4 150STPM	PG 1
light 40-25 SB 110 PWM	CuZn	110	25	G 1 ½"	4	230V AC/50 Hz	U GOLI4 160STPM	PG 1
light 40-20 SB 130 PWM	CuZn	130	20	G 1 ¼"	4	230V AC/50 Hz	U GOLI4 170STPM	PG 1
light 40-25 SB 130 PWM	CuZn	130	25	G 1 ½"	4	230V AC/50 Hz	U GOLI4 180STPM	PG 1

WITA go.future 2 – light 60

Technical data see catalogue page 25

Article	Pump housing	Installation length (mm)	DN	Connection thread	Head (m)	Operating voltage	Article No	Price group
light 60-15 S	GG	130	15	G 1"	6	230V AC/50 Hz	U GOLI6 131ST	PG 1
light 60-20	GG	180	20	G 1 ¼"	6	230V AC/50 Hz	U GOLI6 100ST	PG 1
light 60-25	GG	180	25	G 1 ½"	6	230V AC/50 Hz	U GOLI6 110ST	PG 1
light 60-32	GG	180	32	G 2"	6	230V AC/50 Hz	U GOLI6 120ST	PG 1
light 60-20 S	GG	130	20	G 1 ¼"	6	230V AC/50 Hz	U GOLI6 130ST	PG 1
light 60-25 S	GG	130	25	G 1 ½"	6	230V AC/50 Hz	U GOLI6 140ST	PG 1
light 60-20 SB 110	CuZn	110	20	G 1 ¼"	6	230V AC/50 Hz	U GOLI6 150ST	PG 1
light 60-25 SB 110	CuZn	110	25	G 1 ½"	6	230V AC/50 Hz	U GOLI6 160ST	PG 1
light 60-20 SB 130	CuZn	130	20	G 1 ¼"	6	230V AC/50 Hz	U GOLI6 170ST	PG 1
light 60-25 SB 130	CuZn	130	25	G 1 ½"	6	230V AC/50 Hz	U GOLI6 180ST	PG 1

WITA go.future 2 – light 60 PWM

Technical data see catalogue page 25

Article	Pump housing	Installation length (mm)	DN	Connection thread	Head (m)	Operating voltage	Article No	Price group
light 60-15 S PWM	GG	130	15	G 1"	6	230V AC/50 Hz	U GOLI6 131STPM	PG 1
light 60-20 PWM	GG	180	20	G 1 ¼"	6	230V AC/50 Hz	U GOLI6 100STPM	PG 1
light 60-25 PWM	GG	180	25	G 1 ½"	6	230V AC/50 Hz	U GOLI6 110STPM	PG 1
light 60-32 PWM	GG	180	32	G 2"	6	230V AC/50 Hz	U GOLI6 120STPM	PG 1
light 60-20 S PWM	GG	130	20	G 1 ¼"	6	230V AC/50 Hz	U GOLI6 130STPM	PG 1
light 60-25 S PWM	GG	130	25	G 1 ½"	6	230V AC/50 Hz	U GOLI6 140STPM	PG 1
light 60-20 SB 110 PWM	CuZn	110	20	G 1 ¼"	6	230V AC/50 Hz	U GOLI6 150STPM	PG 1
light 60-25 SB 110 PWM	CuZn	110	25	G 1 ½"	6	230V AC/50 Hz	U GOLI6 160STPM	PG 1
light 60-20 SB 130 PWM	CuZn	130	20	G 1 ¼"	6	230V AC/50 Hz	U GOLI6 170STPM	PG 1
light 60-25 SB 130 PWM	CuZn	130	25	G 1 ½"	6	230V AC/50 Hz	U GOLI6 180STPM	PG 1

WITA HE+ go.future | 40 | 50 | 60

Technical data see catalogue page 27

Article	Pump housing	Installation length (mm)	DN	Connection thread	Head (m)	Operating voltage	Article No	Price group
40/50/60-15 S	GG	130	15	G 1"	4-6	230V AC/50 Hz	U GFPLUS4-6 131ST	PG 1
40/50/60-20	GG	180	20	G 1 ¼"	4-6	230V AC/50 Hz	U GFPLUS4-6 100ST	PG 1
40/50/60-25	GG	180	25	G 1 ½"	4-6	230V AC/50 Hz	U GFPLUS4-6 110ST	PG 1
40/50/60-32	GG	180	32	G 2"	4-6	230V AC/50 Hz	U GFPLUS4-6 120ST	PG 1
40/50/60-20 S	GG	130	20	G 1 ¼"	4-6	230V AC/50 Hz	U GFPLUS4-6 130ST	PG 1
40/50/60-25 S	GG	130	25	G 1 ½"	4-6	230V AC/50 Hz	U GFPLUS4-6 140ST	PG 1
40/50/60-20 SB 110	CuZn	110	20	G 1 ¼"	4-6	230V AC/50 Hz	U GFPLUS4-6 150ST	PG 1
40/50/60-25 SB 110	CuZn	110	25	G 1 ½"	4-6	230V AC/50 Hz	U GFPLUS4-6 160ST	PG 1
40/50/60-20 SB 130	CuZn	130	20	G 1 ¼"	4-6	230V AC/50 Hz	U GFPLUS4-6 170ST	PG 1
40/50/60-25 SB 130	CuZn	130	25	G 1 ½"	4-6	230V AC/50 Hz	U GFPLUS4-6 180ST	PG 1

GG = grey cast iron cathoporesis coated, CuZn = brass

WITA Delta HE 35 LED

Technical data see catalogue page 29

Article	Pump housing	Installation length (mm)	DN	Connection thread	Head (m)	Operating voltage	Article No	Price group
35-15 S	GG	130	15	G 1"	4	230V AC/50 Hz	U HE4 131ST	PG 1
35-20	GG	180	20	G 1 ¼"	4	230V AC/50 Hz	U HE4 100ST	PG 1
35-25	GG	180	25	G 1 ½"	4	230V AC/50 Hz	U HE4 110ST	PG 1
35-32	GG	180	32	G 2"	4	230V AC/50 Hz	U HE4 120ST	PG 1
35-20 S	GG	130	20	G 1 ¼"	4	230V AC/50 Hz	U HE4 130ST	PG 1
35-25 S	GG	130	25	G 1 ½"	4	230V AC/50 Hz	U HE4 140ST	PG 1
35-20 SB 110	CuZn	110	20	G 1 ¼"	4	230V AC/50 Hz	U HE4 150ST	PG 1
35-25 SB 110	CuZn	110	25	G 1 ½"	4	230V AC/50 Hz	U HE4 160ST	PG 1
35-20 SB 130	CuZn	130	20	G 1 ¼"	4	230V AC/50 Hz	U HE4 170ST	PG 1
35-25 SB 130	CuZn	130	25	G 1 ½"	4	230V AC/50 Hz	U HE4 180ST	PG 1

WITA Delta HE 55 LED

Technical data see catalogue page 29

Article	Pump housing	Installation length (mm)	DN	Connection thread	Head (m)	Operating voltage	Article No	Price group
55-15 S	GG	130	15	G 1"	6	230V AC/50 Hz	U HE6 131ST	PG 1
55-20	GG	180	20	G 1 ¼"	6	230V AC/50 Hz	U HE6 100ST	PG 1
55-25	GG	180	25	G 1 ½"	6	230V AC/50 Hz	U HE6 110ST	PG 1
55-32	GG	180	32	G 2"	6	230V AC/50 Hz	U HE6 120ST	PG 1
55-20 S	GG	130	20	G 1 ¼"	6	230V AC/50 Hz	U HE6 130ST	PG 1
55-25 S	GG	130	25	G 1 ½"	6	230V AC/50 Hz	U HE6 140ST	PG 1
55-20 SB 110	CuZn	110	20	G 1 ¼"	6	230V AC/50 Hz	U HE6 150ST	PG 1
55-25 SB 110	CuZn	110	25	G 1 ½"	6	230V AC/50 Hz	U HE6 160ST	PG 1
55-20 SB 130	CuZn	130	20	G 1 ¼"	6	230V AC/50 Hz	U HE6 170ST	PG 1
55-25 SB 130	CuZn	130	25	G 1 ½"	6	230V AC/50 Hz	U HE6 180ST	PG 1

WITA Delta HE 35 LCD

Technical data see catalogue page 30

Article	Pump housing	Installation length (mm)	DN	Connection thread	Head (m)	Operating voltage	Article No	Price group
35-15 S	GG	130	15	G 1"	4	230V AC/50 Hz	U HE4 131LCDST	PG 1
35-20	GG	180	20	G 1 ¼"	4	230V AC/50 Hz	U HE4 100LCDST	PG 1
35-25	GG	180	25	G 1 ½"	4	230V AC/50 Hz	U HE4 110LCDST	PG 1
35-32	GG	180	32	G 2"	4	230V AC/50 Hz	U HE4 120LCDST	PG 1
35-20 S	GG	130	20	G 1 ¼"	4	230V AC/50 Hz	U HE4 130LCDST	PG 1
35-25 S	GG	130	25	G 1 ½"	4	230V AC/50 Hz	U HE4 140LCDST	PG 1
35-20 SB 110	CuZn	110	20	G 1 ¼"	4	230V AC/50 Hz	U HE4 150LCDST	PG 1
35-25 SB 110	CuZn	110	25	G 1 ½"	4	230V AC/50 Hz	U HE4 160LCDST	PG 1
35-20 SB 130	CuZn	130	20	G 1 ¼"	4	230V AC/50 Hz	U HE4 170LCDST	PG 1
35-25 SB 130	CuZn	130	25	G 1 ½"	4	230V AC/50 Hz	U HE4 180LCDST	PG 1

WITA Delta HE 55 LCD

Technical data see catalogue page 30

Article	Pump housing	Installation length (mm)	DN	Connection thread	Head (m)	Operating voltage	Article No	Price group
55-15 S	GG	130	15	G 1"	6	230V AC/50 Hz	U HE6 131LCDST	PG 1
55-20	GG	180	20	G 1 ¼"	6	230V AC/50 Hz	U HE6 100LCDST	PG 1
55-25	GG	180	25	G 1 ½"	6	230V AC/50 Hz	U HE6 110LCDST	PG 1
55-32	GG	180	32	G 2"	6	230V AC/50 Hz	U HE6 120LCDST	PG 1
55-20 S	GG	130	20	G 1 ¼"	6	230V AC/50 Hz	U HE6 130LCDST	PG 1
55-25 S	GG	130	25	G 1 ½"	6	230V AC/50 Hz	U HE6 140LCDST	PG 1
55-20 SB 110	CuZn	110	20	G 1 ¼"	6	230V AC/50 Hz	U HE6 150LCDST	PG 1
55-25 SB 110	CuZn	110	25	G 1 ½"	6	230V AC/50 Hz	U HE6 160LCDST	PG 1
55-20 SB 130	CuZn	130	20	G 1 ¼"	6	230V AC/50 Hz	U HE6 170LCDST	PG 1
55-25 SB 130	CuZn	130	25	G 1 ½"	6	230V AC/50 Hz	U HE6 180LCDST	PG 1

WITA Delta HE light 35

Technical data see catalogue page 31

Article	Pump housing	Installation length (mm)	DN	Connection thread	Head (m)	Operating voltage	Article No	Price group
light 35-15 S	GG	130	15	G 1"	4	230V AC/50 Hz	U HELI4 131ST	PG 1
light 35-20	GG	180	20	G 1 ¼"	4	230V AC/50 Hz	U HELI4 100ST	PG 1
light 35-25	GG	180	25	G 1 ½"	4	230V AC/50 Hz	U HELI4 110ST	PG 1
light 35-32	GG	180	32	G 2"	4	230V AC/50 Hz	U HELI4 120ST	PG 1
light 35-20 S	GG	130	20	G 1 ¼"	4	230V AC/50 Hz	U HELI4 130ST	PG 1
light 35-25 S	GG	130	25	G 1 ½"	4	230V AC/50 Hz	U HELI4 140ST	PG 1
light 35-20 SB 110	CuZn	110	20	G 1 ¼"	4	230V AC/50 Hz	U HELI4 150ST	PG 1
light 35-25 SB 110	CuZn	110	25	G 1 ½"	4	230V AC/50 Hz	U HELI4 160ST	PG 1
light 35-20 SB 130	CuZn	130	20	G 1 ¼"	4	230V AC/50 Hz	U HELI4 170ST	PG 1
light 35-25 SB 130	CuZn	130	25	G 1 ½"	4	230V AC/50 Hz	U HELI4 180ST	PG 1

WITA Delta HE light 55

Technical data see catalogue page 31

Article	Pump housing	Installation length (mm)	DN	Connection thread	Head (m)	Operating voltage	Article No	Price group
light 55-15 S	GG	130	15	G 1"	6	230V AC/50 Hz	U HELI6 131ST	PG 1
light 55-20	GG	180	20	G 1 ¼"	6	230V AC/50 Hz	U HELI6 100ST	PG 1
light 55-25	GG	180	25	G 1 ½"	6	230V AC/50 Hz	U HELI6 110ST	PG 1
light 55-32	GG	180	32	G 2"	6	230V AC/50 Hz	U HELI6 120ST	PG 1
light 55-20 S	GG	130	20	G 1 ¼"	6	230V AC/50 Hz	U HELI6 130ST	PG 1
light 55-25 S	GG	130	25	G 1 ½"	6	230V AC/50 Hz	U HELI6 140ST	PG 1
light 55-20 SB 110	CuZn	110	20	G 1 ¼"	6	230V AC/50 Hz	U HELI6 150ST	PG 1
light 55-25 SB 110	CuZn	110	25	G 1 ½"	6	230V AC/50 Hz	U HELI6 160ST	PG 1
light 55-20 SB 130	CuZn	130	20	G 1 ¼"	6	230V AC/50 Hz	U HELI6 170ST	PG 1
light 55-25 SB 130	CuZn	130	25	G 1 ½"	6	230V AC/50 Hz	U HELI6 180ST	PG 1

GG = grey cast iron cathaphoresis coated, CuZn = brass

WITA Delta MIDI 40

Technical data see catalogue page 33

Article	Pump housing	Installation length (mm)	DN	Connection thread	Head (m)	Operating voltage	Article No	Price group
40-15 S	GG	130	15	G 1"	4	230V AC/50 Hz	U 40 131	PG 1
40-20	GG	180	20	G 1 ¼"	4	230V AC/50 Hz	U 40 100	PG 1
40-25	GG	180	25	G 1 ½"	4	230V AC/50 Hz	U 40 110	PG 1
40-32	GG	180	32	G 2"	4	230V AC/50 Hz	U 40 120	PG 1
40-20 S	GG	130	20	G 1 ¼"	4	230V AC/50 Hz	U 40 130	PG 1
40-25 S	GG	130	25	G 1 ½"	4	230V AC/50 Hz	U 40 140	PG 1
40-20 SB 110	CuZn	110	20	G 1 ¼"	4	230V AC/50 Hz	U 40 150	PG 1
40-25 SB 110	CuZn	110	25	G 1 ½"	4	230V AC/50 Hz	U 40 160	PG 1
40-20 SB 130	CuZn	130	20	G 1 ¼"	4	230V AC/50 Hz	U 40 170	PG 1
40-25 SB 130	CuZn	130	25	G 1 ½"	4	230V AC/50 Hz	U 40 180	PG 1

WITA Delta MIDI 40 PWM

Technical data see catalogue page 33

Article	Pump housing	Installation length (mm)	DN	Connection thread	Head (m)	Operating voltage	Article No	Price group
40-15 S PWM	GG	130	15	G 1"	4	230V AC/50 Hz	U 40 131PM	PG 1
40-20 PWM	GG	180	20	G 1 ¼"	4	230V AC/50 Hz	U 40 100PM	PG 1
40-25 PWM	GG	180	25	G 1 ½"	4	230V AC/50 Hz	U 40 110PM	PG 1
40-32 PWM	GG	180	32	G 2"	4	230V AC/50 Hz	U 40 120PM	PG 1
40-20 S PWM	GG	130	20	G 1 ¼"	4	230V AC/50 Hz	U 40 130PM	PG 1
40-25 S PWM	GG	130	25	G 1 ½"	4	230V AC/50 Hz	U 40 140PM	PG 1
40-20 SB 110 PWM	CuZn	110	20	G 1 ¼"	4	230V AC/50 Hz	U 40 150PM	PG 1
40-25 SB 110 PWM	CuZn	110	25	G 1 ½"	4	230V AC/50 Hz	U 40 160PM	PG 1
40-20 SB 130 PWM	CuZn	130	20	G 1 ¼"	4	230V AC/50 Hz	U 40 170PM	PG 1
40-25 SB 130 PWM	CuZn	130	25	G 1 ½"	4	230V AC/50 Hz	U 40 180PM	PG 1

WITA Delta MIDI 60

Technical data see catalogue page 33

Article	Pump housing	Installation length (mm)	DN	Connection thread	Head (m)	Operating voltage	Article No	Price group
60-15 S	GG	130	15	G 1"	6	230V AC/50 Hz	U 60 131	PG 1
60-20	GG	180	20	G 1 ¼"	6	230V AC/50 Hz	U 60 100	PG 1
60-25	GG	180	25	G 1 ½"	6	230V AC/50 Hz	U 60 110	PG 1
60-32	GG	180	32	G 2"	6	230V AC/50 Hz	U 60 120	PG 1
60-20 S	GG	130	20	G 1 ¼"	6	230V AC/50 Hz	U 60 130	PG 1
60-25 S	GG	130	25	G 1 ½"	6	230V AC/50 Hz	U 60 140	PG 1
60-20 SB 110	CuZn	110	20	G 1 ¼"	6	230V AC/50 Hz	U 60 150	PG 1
60-25 SB 110	CuZn	110	25	G 1 ½"	6	230V AC/50 Hz	U 60 160	PG 1
60-20 SB 130	CuZn	130	20	G 1 ¼"	6	230V AC/50 Hz	U 60 170	PG 1
60-25 SB 130	CuZn	130	25	G 1 ½"	6	230V AC/50 Hz	U 60 180	PG 1

WITA Delta MIDI 60 PWM

Technical data see catalogue page 33

Article	Pump housing	Installation length (mm)	DN	Connection thread	Head (m)	Operating voltage	Article No	Price group
60-15 S PWM	GG	130	15	G 1"	6	230V AC/50 Hz	U 60 131PM	PG 1
60-20 PWM	GG	180	20	G 1 ¼"	6	230V AC/50 Hz	U 60 100PM	PG 1
60-25 PWM	GG	180	25	G 1 ½"	6	230V AC/50 Hz	U 60 110PM	PG 1
60-32 PWM	GG	180	32	G 2"	6	230V AC/50 Hz	U 60 120PM	PG 1
60-20 S PWM	GG	130	20	G 1 ¼"	6	230V AC/50 Hz	U 60 130PM	PG 1
60-25 S PWM	GG	130	25	G 1 ½"	6	230V AC/50 Hz	U 60 140PM	PG 1
60-20 SB 110 PWM	CuZn	110	20	G 1 ¼"	6	230V AC/50 Hz	U 60 150PM	PG 1
60-25 SB 110 PWM	CuZn	110	25	G 1 ½"	6	230V AC/50 Hz	U 60 160PM	PG 1
60-20 SB 130 PWM	CuZn	130	20	G 1 ¼"	6	230V AC/50 Hz	U 60 170PM	PG 1
60-25 SB 130 PWM	CuZn	130	25	G 1 ½"	6	230V AC/50 Hz	U 60 180PM	PG 1

WITA Delta MAXI 70

Technical data see catalogue page 34

Article	Pump housing	Installation length (mm)	DN	Connection thread	Head (m)	Operating voltage	Article No	Price group
70-15 S	GG	130	15	G 1"	7	230V AC/50 Hz	U 70MAX 131ST	PG 1
70-20	GG	180	20	G 1 ¼"	7	230V AC/50 Hz	U 70MAX 100ST	PG 1
70-25	GG	180	25	G 1 ½"	7	230V AC/50 Hz	U 70MAX 110ST	PG 1
70-32	GG	180	32	G 2"	7	230V AC/50 Hz	U 70MAX 120ST	PG 1
70-20 S	GG	130	20	G 1 ¼"	7	230V AC/50 Hz	U 70MAX 130ST	PG 1
70-25 S	GG	130	25	G 1 ½"	7	230V AC/50 Hz	U 70MAX 140ST	PG 1
70-20 SB 110	CuZn	110	20	G 1 ¼"	7	230V AC/50 Hz	U 70MAX 150ST	PG 1
70-25 SB 110	CuZn	110	25	G 1 ½"	7	230V AC/50 Hz	U 70MAX 160ST	PG 1
70-20 SB 130	CuZn	130	20	G 1 ¼"	7	230V AC/50 Hz	U 70MAX 170ST	PG 1
70-25 SB 130	CuZn	130	25	G 1 ½"	7	230V AC/50 Hz	U 70MAX 180ST	PG 1

WITA Delta MAXI 70 PWM

Technical data see catalogue page 34

Article	Pump housing	Installation length (mm)	DN	Connection thread	Head (m)	Operating voltage	Article No	Price group
70-15 S PWM	GG	130	15	G 1"	7	230V AC/50 Hz	U 70MAX 131STPM	PG 1
70-20 PWM	GG	180	20	G 1 ¼"	7	230V AC/50 Hz	U 70MAX 100STPM	PG 1
70-25 PWM	GG	180	25	G 1 ½"	7	230V AC/50 Hz	U 70MAX 110STPM	PG 1
70-32 PWM	GG	180	32	G 2"	7	230V AC/50 Hz	U 70MAX 120STPM	PG 1
70-20 S PWM	GG	130	20	G 1 ¼"	7	230V AC/50 Hz	U 70MAX 130STPM	PG 1
70-25 S PWM	GG	130	25	G 1 ½"	7	230V AC/50 Hz	U 70MAX 140STPM	PG 1
70-20 SB 110 PWM	CuZn	110	20	G 1 ¼"	7	230V AC/50 Hz	U 70MAX 150STPM	PG 1
70-25 SB 110 PWM	CuZn	110	25	G 1 ½"	7	230V AC/50 Hz	U 70MAX 160STPM	PG 1
70-20 SB 130 PWM	CuZn	130	20	G 1 ¼"	7	230V AC/50 Hz	U 70MAX 170STPM	PG 1
70-25 SB 130 PWM	CuZn	130	25	G 1 ½"	7	230V AC/50 Hz	U 70MAX 180STPM	PG 1

WITA Delta **MAXI 80**

Technical data see catalogue page 35

Article	Pump housing	Installation length (mm)	DN	Connection thread	Head (m)	Operating voltage	Article No	Price group
80-25	GG	180	25	G 1 1/2"	8	230V AC/50Hz	U 80 110	PG 1
80-32	GG	180	32	G 2"	8	230V AC/50Hz	U 80 120	PG 1

WITA Delta **MAXI 80 PWM**

Technical data see catalogue page 35

Article	Pump housing	Installation length (mm)	DN	Connection thread	Head (m)	Operating voltage	Article No	Price group
80-25 PWM	GG	180	25	G 1 1/2"	8	230V AC/50 Hz	U 80 110PM	PG 1
80-32 PWM	GG	180	32	G 2"	8	230V AC/50 Hz	U 80 120PM	PG 1

WITA Delta **TOP 40**

Technical data see catalogue page 36

Article	Pump housing	Installation length (mm)	DN	Connection thread	Head (m)	Operating voltage	Article No	Price group
40-15 S	GG	130	15	G 1"	4	230V AC/50 Hz	U 40 131TOP	PG 1
40-20	GG	180	20	G 1 1/4"	4	230V AC/50 Hz	U 40 100TOP	PG 1
40-25	GG	180	25	G 1 1/2"	4	230V AC/50 Hz	U 40 110TOP	PG 1
40-32	GG	180	32	G 2"	4	230V AC/50 Hz	U 40 120TOP	PG 1
40-20 S	GG	130	20	G 1 1/4"	4	230V AC/50 Hz	U 40 130TOP	PG 1
40-25 S	GG	130	25	G 1 1/2"	4	230V AC/50 Hz	U 40 140TOP	PG 1
40-20 SB 110	CuZn	110	20	G 1 1/4"	4	230V AC/50 Hz	U 40 150TOP	PG 1
40-25 SB 110	CuZn	110	25	G 1 1/2"	4	230V AC/50 Hz	U 40 160TOP	PG 1
40-20 SB 130	CuZn	130	20	G 1 1/4"	4	230V AC/50 Hz	U 40 170TOP	PG 1
40-25 SB 130	CuZn	130	25	G 1 1/2"	4	230V AC/50 Hz	U 40 180TOP	PG 1

WITA Delta **TOP 40 PWM**

Technical data see catalogue page 36

Article	Pump housing	Installation length (mm)	DN	Connection thread	Head (m)	Operating voltage	Article No	Price group
40-15 S PWM	GG	130	15	G 1"	4	230V AC/50 Hz	U 40 131TOPPM	PG 1
40-20 PWM	GG	180	20	G 1 1/4"	4	230V AC/50 Hz	U 40 100TOPPM	PG 1
40-25 PWM	GG	180	25	G 1 1/2"	4	230V AC/50 Hz	U 40 110TOPPM	PG 1
40-32 PWM	GG	180	32	G 2"	4	230V AC/50 Hz	U 40 120TOPPM	PG 1
40-20 S PWM	GG	130	20	G 1 1/4"	4	230V AC/50 Hz	U 40 130TOPPM	PG 1
40-25 S PWM	GG	130	25	G 1 1/2"	4	230V AC/50 Hz	U 40 140TOPPM	PG 1
40-20 SB 110 PWM	CuZn	110	20	G 1 1/4"	4	230V AC/50 Hz	U 40 150TOPPM	PG 1
40-25 SB 110 PWM	CuZn	110	25	G 1 1/2"	4	230V AC/50 Hz	U 40 160TOPPM	PG 1
40-20 SB 130 PWM	CuZn	130	20	G 1 1/4"	4	230V AC/50 Hz	U 40 170TOPPM	PG 1
40-25 SB 130 PWM	CuZn	130	25	G 1 1/2"	4	230V AC/50 Hz	U 40 180TOPPM	PG 1

WITA Delta TOP 60

Technical data see catalogue page 36

Article	Pump housing	Installation length (mm)	DN	Connection thread	Head (m)	Operating voltage	Article No	Price group
60-15 S	GG	130	15	G 1"	6	230V AC/50 Hz	U 60 131TOP	PG 1
60-20	GG	180	20	G 1 ¼"	6	230V AC/50 Hz	U 60 100TOP	PG 1
60-25	GG	180	25	G 1 ½"	6	230V AC/50 Hz	U 60 110TOP	PG 1
60-32	GG	180	32	G 2"	6	230V AC/50 Hz	U 60 120TOP	PG 1
60-20 S	GG	130	20	G 1 ¼"	6	230V AC/50 Hz	U 60 130TOP	PG 1
60-25 S	GG	130	25	G 1 ½"	6	230V AC/50 Hz	U 60 140TOP	PG 1
60-20 SB 110	CuZn	110	20	G 1 ¼"	6	230V AC/50 Hz	U 60 150TOP	PG 1
60-25 SB 110	CuZn	110	25	G 1 ½"	6	230V AC/50 Hz	U 60 160TOP	PG 1
60-20 SB 130	CuZn	130	20	G 1 ¼"	6	230V AC/50 Hz	U 60 170TOP	PG 1
60-25 SB 130	CuZn	130	25	G 1 ½"	6	230V AC/50 Hz	U 60 180TOP	PG 1

WITA Delta TOP 60 PWM

Technical data see catalogue page 36

Article	Pump housing	Installation length (mm)	DN	Connection thread	Head (m)	Operating voltage	Article No	Price group
60-15 S PWM	GG	130	15	G 1"	6	230V AC/50 Hz	U 60 131TOPPM	PG 1
60-20 PWM	GG	180	20	G 1 ¼"	6	230V AC/50 Hz	U 60 100TOPPM	PG 1
60-25 PWM	GG	180	25	G 1 ½"	6	230V AC/50 Hz	U 60 110TOPPM	PG 1
60-32 PWM	GG	180	32	G 2"	6	230V AC/50 Hz	U 60 120TOPPM	PG 1
60-20 S PWM	GG	130	20	G 1 ¼"	6	230V AC/50 Hz	U 60 130TOPPM	PG 1
60-25 S PWM	GG	130	25	G 1 ½"	6	230V AC/50 Hz	U 60 140TOPPM	PG 1
60-20 SB 110 PWM	CuZn	110	20	G 1 ¼"	6	230V AC/50 Hz	U 60 150TOPPM	PG 1
60-25 SB 110 PWM	CuZn	110	25	G 1 ½"	6	230V AC/50 Hz	U 60 160TOPPM	PG 1
60-20 SB 130 PWM	CuZn	130	20	G 1 ¼"	6	230V AC/50 Hz	U 60 170TOPPM	PG 1
60-25 SB 130 PWM	CuZn	130	25	G 1 ½"	6	230V AC/50 Hz	U 60 180TOPPM	PG 1

WITA go.future Z+

Technical data see catalogue page 42

Article	Pump housing	Installation length (mm)	DN	Connection thread	Head (m)	Operating voltage	Article No	Price group
Z+	CuZn	81	15	G ½"	1.4	230V AC/50 Hz	BW 15 450ST	PG 2

WITA go.future Z

Technical data see catalogue page 43

Article	Pump housing	Installation length (mm)	DN	Connection thread	Head (m)	Operating voltage	Article No	Price group
Z	CuZn	81	15	G ½"	1.4	230V AC/50 Hz	BW 15 400ST	PG 2

Shut-Off Ball Valve with Union Nut

Technical data see catalogue page 42, 43

Article	Pump housing	Installation length (mm)	DN	Connection thread	Article No	Price group
Shut-Off Ball Valve with Union Nut	brass CW617N	38	15	G ½" x G 1"	A 32 500	PG 10

WITA Pump groups

Technical data see catalogue page 54, 55, 56, 57

Article	Connection thread	Nominal diameter	Article No	Price group
PG HZ DN 25 with HE OEM 2 40/60-25-180 pump	top - 1" Rp bottom - 1½" G	DN 25	M 41 605OEM2I	PG 3
PG HZ DN 25 with HE OEM 2 40/60-25-180 pump and SM W05 actuator	top - 1" Rp bottom - 1½" G	DN 25	M 41 705OEM2SI	PG 3
PG HZ DN 32 with HE OEM 2 40/60-32-180 pump	top - 1" Rp bottom - 1½" G	DN 32	M 41 805OEM2I	PG 3
PG HZ DN 32 with HE OEM 2 40/60-32-180 pump and SM W05 actuator	top - 1" Rp bottom - 1½" G	DN 32	M 41 905OEM2SI	PG 3
PG HZ DN 25 with HE OEM 2 40/60-25-180 pump and SM WR 05 FR fixed setpoint controller	top - 1" Rp bottom - 1½" G	DN 25	M 41 705OEM2FRI	PG 3
PG HZ DN 32 with HE OEM 2 40/60-32-180 pump and SM WR 05 FR fixed setpoint controller	top - 1" Rp bottom - 1½" G	DN 32	M 41 905OEM2FRI	PG 3

WITA Solar stations

Technical data see catalogue page 58, 59

Article	Connection thread	Nominal diameter	Article No	Price group
Solar station - single strand	top/bottom - 1" G	DN 25	H 00 751GOT	PG 3
Solar station - two strand	thermo-tap side top - ¾" 1½" Rp flow and ¾" G return	DN 25	H 00 701GOT	PG 3

WITA Hydraulic Switch

Technical data see catalogue page 60, 61

Article	Connection thread	Nominal diameter	Article No	Price group
Hydraulic Switch - vertical DN 25	heating system side - 1" Rp temperature sensor and ventilator side - ½" Rp	DN 25	A 50 710	PG 5
Hydraulic Switch - horizontal DN 25	heating circuit manifold side - 1½" G heat generator side - 1½" Rp	DN 25	A 50 720	PG 5
Hydraulic Switch - vertical DN 32	thermo-tap top side - 1¼" Rp temperatur sensor and vent side - ½" Rp	DN 32	A 50 730	PG 5

WITA Heating circuit manifold

Technical data see catalogue page 62, 63

Article	Connection thread	Nominal diameter	Article No	Price group
Low differential pressure heating circuit manifold DN 25 2+1	1 ½" Rp	DN 25	A 50 613	PG 5
Low differential pressure heating circuit manifold DN 25 3+2	1 ½" Rp	DN 25	A 50 614	PG 5
Heating circuit manifold DN 25, 2+0	1 ½" Rp	DN 25	A 50 605	PG 5
Heating circuit manifold DN 25, 2+1	1 ½" Rp	DN 25	A 50 606	PG 5
Heating circuit manifold DN 25, 3+0	1 ½" Rp	DN 25	A 50 607	PG 5
Heating circuit manifold DN 25, 3+2	1 ½" Rp	DN 25	A 50 608	PG 5
Heating circuit manifold DN 25, 4+0	1 ½" Rp	DN 25	A 50 609	PG 5
Heating circuit manifold DN 25, 4+3	1 ½" Rp	DN 25	A 50 610	PG 5
Heating circuit manifold DN 25, 5+0	1 ½" Rp	DN 25	A 50 611	PG 5
Heating circuit manifold DN 25, 6+0	1 ½" Rp	DN 25	A 50 612	PG 5
Heating circuit manifold DN 32, 2+0	thermo-tap side top - 2" Rp producer side bottom - 1 ½" G	DN 32	A 50 615	PG 5
Heating circuit manifold DN 32, 2+1	thermo-tap side top - 2" Rp producer side bottom - 1 ½" G	DN 32	A 50 616	PG 5
Heating circuit manifold DN 32, 3+0	thermo-tap side top - 2" Rp producer side bottom - 1 ½" G	DN 32	A 50 617	PG 5
Heating circuit manifold DN 32, 3+2	thermo-tap side top - 2" Rp producer side bottom - 1 ½" G	DN 32	A 50 618	PG 5
Heating circuit manifold DN 32, 4+0	thermo-tap side top - 2" Rp producer side bottom - 1 ½" G	DN 32	A 50 619	PG 5
Heating circuit manifold DN 32, 4+3	thermo-tap side top - 2" Rp producer side bottom - 1 ½" G	DN 32	A 50 620	PG 5

WITA Minimix

Technical data see catalogue page 64, 65

Article	Connection thread	Nominal diameter	Article No	Price group
Minimix 3-way 1"	1" Rp x 1 1/2" G	DN 25	M 46 100	PG 6
Minimix 3-way 1 1/4"	1 1/4" Rp	DN 32	M 47 100	PG 6
Minimix 3-way 1 1/2"	1 1/2" G	DN 32	M 47 110	PG 6
Minimix 3-way 1 3/4"	2" G	DN 32	M 47 120	PG 6

Different threads and dimensions available on request.

WITA Minimix

Technical data see catalogue page 64, 65

Article	Connection thread	Nominal diameter	Article No	Price group
Minimix 4-way 1"	1" Rp x 1 1/2" G	DN 25	M 46 200	PG 6
Minimix 4-way 1 1/4"	1 1/4" Rp	DN 32	M 47 200	PG 6

Different threads and dimensions available on request.

WITA Maximix

Technical data see catalogue page 64, 65

Article	Connection thread	Nominal diameter	Article No	Price group
Maximix 3-way 1 1/2"	1 1/2" Rp	DN 40	M 48 100	PG 6

WITA Maximix

Technical data see catalogue page 64, 65

Article	Connection thread	Nominal diameter	Article No	Price group
Maximix 4-way 2"	2" Rp	DN 50	M 49 200	PG 6

WITA heating controllers

Technical data see catalogue page 66 - 71

Article	Description	Article No	Price group
WHC	heating controller WHC	R WHC 100	PG 7
WHC +	heating controller WHC +	R WHC 200	PG 7

WITA SM WR 05/06/10 FR

Technical data see catalogue page 72-73

Note: When selecting the setpoint controller, please refer to the data sheet of the mixing valve to be installed (torque)!

fixed setpoint controller SM WR 05/10 FR (IP 42, protection class II, protective insulation)						
Article	Description	Max. torque	Actuating time /adjustment range	Operating voltage	Article No	Price group
SM WR 05 FR	with assembly kit 100	5 Nm	120 sec./90°	230 V AC/50 Hz	R W1 460 006	PG 4
SM WR 06 FR	with assembly kit 100	6 Nm	120 sec./90°	230 V AC/50 Hz	R W1 660 006	PG 4
SM WR 10 FR	with assembly kit 100	10 Nm	120 sec./90°	230 V AC/50 Hz	R W1 160 006	PG 4

WITA Assembly Kits for SM W05/W10/W15 and SM WR 05/06/10 FR

Technical data see catalogue page 75

Note: When selecting the actuator, please refer to the data sheet of the mixing valve to be installed (torque)!

Article	Description	Actuator	Article No	Price group
Kit 100	for WITA mixing valves	SM W05/W10	BS 100	PG 10
Kit 210	for ball valve ISO5211, F03, L (9 mm)	SM W05/W10	BS 210	PG 10
Kit 220	for ball valve ISO5211, F04, L (11 mm)	SM W05/W10	BS 220	PG 10
Kit 310	for ball valves Esbe VRG	SM W05/W10	BS 310	PG 10
Kit 320	for mixing valves BRV, PAW, Esbe, Seltron, MUT, Somatherm, Acaso, IVAR, WIP, IMIT, Hora, Barberi, Valvex CONTROLMIX (5 Nm)	SM W05/W10	BS 320	PG 10
Kit 400	for mixing valves Herz MV, Womix	SM W05/W10	BS 400	PG 10
Kit 500	for mixing valves Siemens VBI, VBF	SM W05/W10	BS 500	PG 10
Kit 600	for mixing valves Honeywell V543, V544	SM W05/W10	BS 600	PG 10
Kit 700	for mixing valves PAW K32, K33, K34	SM W05/W10	BS 700	PG 10
Kit 900	for mixing valves Danfoss HRB, HRE	SM W05/W10	BS 900	PG 10

WITA actuator SM W05/W10/W15 2 Point

Technical data see catalogue page 74-75

Note: When selecting the actuator, please refer to the data sheet of the mixing valve to be installed (torque)!

SM W05/W10 (IP 42, protection class II, protective insulation)						
Article	Description	Max. torque	Actuating time /adjustment range	Operating voltage	Article No	Price group
SM W05	with assembly kit 100 for WITA mixing valves up to DN 32	5 Nm	30 sec./90°	230 V AC/50 Hz	S W1 R480 006	PG 4
SM W05	with assembly kit 100 for WITA mixing valves up to DN 32	5 Nm	240 sec./90°	230 V AC/50 Hz	S W1 R440 006	PG 4
SM W05	with assembly kit 100 for WITA mixing valves up to DN 32	5 Nm	15 sec./90°	230 V AC/50 Hz	S W1 R490 006	PG 4
SM W05	with assembly kit 100 for WITA mixing valves up to DN 32	5 Nm	120 sec./90°	230 V AC/50 Hz	S W1 R460 006	PG 4
SM W10	with assembly kit 100 for WITA mixing valves up to DN 50	10 Nm	120 sec./90°	230 V AC/50 Hz	S W1 R160 006	PG 4
SM W15	with assembly kit 100 for WITA mixing valves up to DN 50	15 Nm	120 sec./90°	230 V AC/50 Hz	S W1 R1510 006	PG 4

WITA actuator SM W05/W10/W15 3 Point

Technical data see catalogue page 74-75

Note: When selecting the actuator, please refer to the data sheet of the mixing valve to be installed (torque)!

SM W05/W10 (IP 42, protection class II, protective insulation)						
Article	Description	Max. torque	Actuating time /adjustment range	Operating voltage	Article No	Price group
SM W05	with assembly kit 100 for WITA mixing valves up to DN 32	5 Nm	60 sec./90°	230 V AC/50 Hz	S W1 410 006	PG 4
SM W05	with assembly kit 100 for WITA mixing valves up to DN 32	5 Nm	120 sec./90°	230 V AC/50 Hz	S W1 460 006	PG 4
SM W05	with assembly kit 100 for WITA mixing valves up to DN 32	5 Nm	240 sec./90°	230 V AC/50 Hz	S W1 440 006	PG 4
SM W10	with assembly kit 100 for WITA mixing valves up to DN 50	10 Nm	120 sec./90°	230 V AC/50 Hz	S W1 160 006	PG 4
SM W15	with assembly kit 100 for WITA mixing valves up to DN 50	15 Nm	120 sec./90°	230 V AC/50 Hz	S W1 1560 006	PG 4

WITA actuator SM W05/W10 0-10 V

Technical data see catalogue page 74-75

Note: When selecting the actuator, please refer to the data sheet of the mixing valve to be installed (torque)!

SM W05/W10 (IP 42, protection class II, protective insulation)						
Article	Description	Max. torque	Actuating time /adjustment range	Operating voltage	Article No	Price group
SM W05	with assembly kit 100 for WITA mixing valves up to DN 32	5 Nm	60-120 sec./90°	24 VDC ST	S W1 4V3 006	PG 4
SM W10	with assembly kit 100 for WITA mixing valves up to DN 50	10 Nm	60-120 sec./90°	24 VDC ST	S W1 1V3 006	PG 4

WITA Actuator SM MINI KV

Technical data see catalogue page 76

Note: When selecting the actuator, please refer to the data sheet of the mixing valve to be installed (torque)!

Article	Article description	Price group
K KV20 2001 SM01	WITA Actuator SM Mini KV with ball valve 2-way DN 20 VS	PG 4
K KV20 2001 SM02	WITA Actuator SM Mini KV/HS with ball valve 2-way DN 20 VS	PG 4
K KV20 2002 SM01	WITA Actuator SM Mini KV with ball valve 2-way DN 20 KLR	PG 4
K KV20 2002 SM02	WITA Actuator SM Mini KV/HS with ball valve 2-way DN 20 KLR	PG 4
K KV20 2501 SM01	WITA Actuator SM Mini KV with ball valve 2-way DN 25 VS	PG 4
K KV20 2501 SM02	WITA Actuator SM Mini KV/HS with ball valve 2-way DN 25 VS	PG 4
K KV20 2502 SM01	WITA Actuator SM Mini KV with ball valve 2-way DN 25 KLR	PG 4
K KV20 2502 SM02	WITA Actuator SM Mini KV/HS with ball valve 2-way DN 25 KLR	PG 4
K KV30 2001 SM01	WITA Actuator SM Mini KV with ball valve 3-way DN 20 VS	PG 4
K KV30 2001 SM02	WITA Actuator SM Mini KV/HS with ball valve 3-way DN 20 VS	PG 4
K KV30 2002 SM01	WITA Actuator SM Mini KV with ball valve 3-way DN 20 KLR	PG 4
K KV30 2002 SM02	WITA Actuator SM Mini KV/HS with ball valve 3-way DN 20 KLR	PG 4
K KV30 2501 SM01	WITA Actuator SM Mini KV with ball valve 3-way DN 25 VS	PG 4
K KV30 2501 SM02	WITA Actuator SM Mini KV/HS with ball valve 3-way DN 25 VS	PG 4
K KV30 2502 SM01	WITA Actuator SM Mini KV with ball valve 3-way DN 25 KLR	PG 4
K KV30 2502 SM02	WITA Actuator SM Mini KV/HS with ball valve 3-way DN 25 KLR	PG 4

WITA Trap MS

Technical data see catalogue page 82

Article	Description	Article No	Price group
Trap MS	Sludge separator, magnetic filter made of brass	A 60 160	PG 8
Trap MS INSULATION	Insulation for Trap MS A 60 100	A 60 000	PG 8

WITA Trap KS

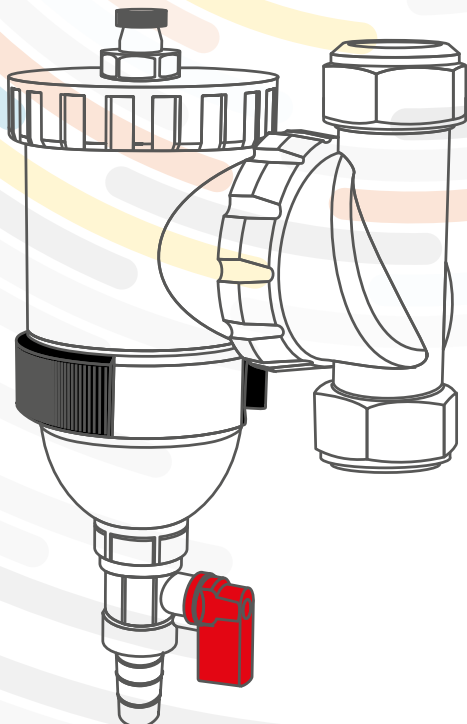
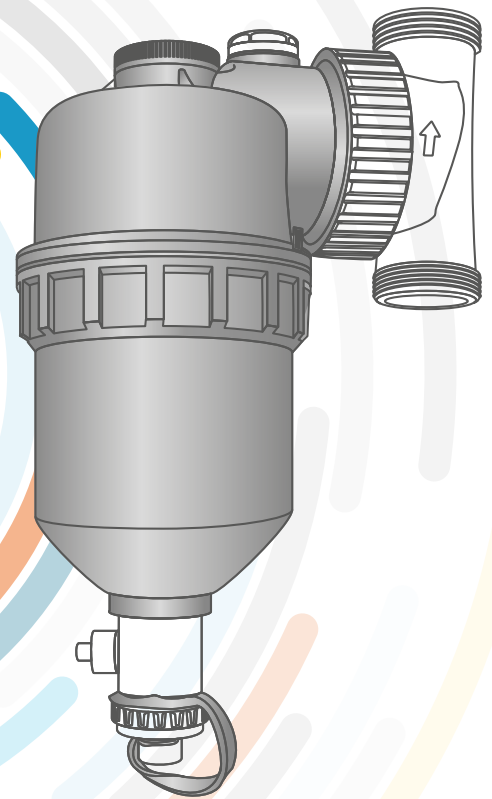
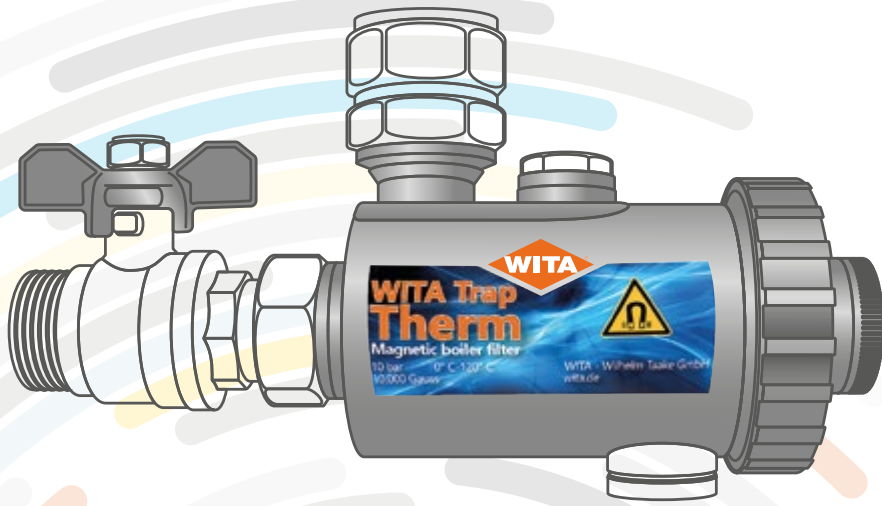
Technical data see catalogue page 83

Article	Description	Material	Nominal width	Article No	Price group
Trap KS	Sludge and magnetite separator with 2 ball valves 1"	nylon	DN 25	A 60 110	PG 8
Trap KS	Sludge and magnetite separator with 2 ball valves ¾"	nylon	DN 25	A 60 120	PG 8

WITA Trap Therm

Technical data see catalogue page 84

Article	Description	Material	Nominal width	Article No	Price group
Trap Therm	Magnetite and sludge separator	brass and nylon	DN 20	A 60 150	PG 8
Trap Therm V	Magnetite and sludge separator inline	brass and nylon	DN 20	A 60 151	PG 8



ADELINO®

— WATER PUMPS —
— BY —



Water pumps

Pressure boosting systems

Page 107

Well pumps

Page 117

Submersible pumps

Page 125

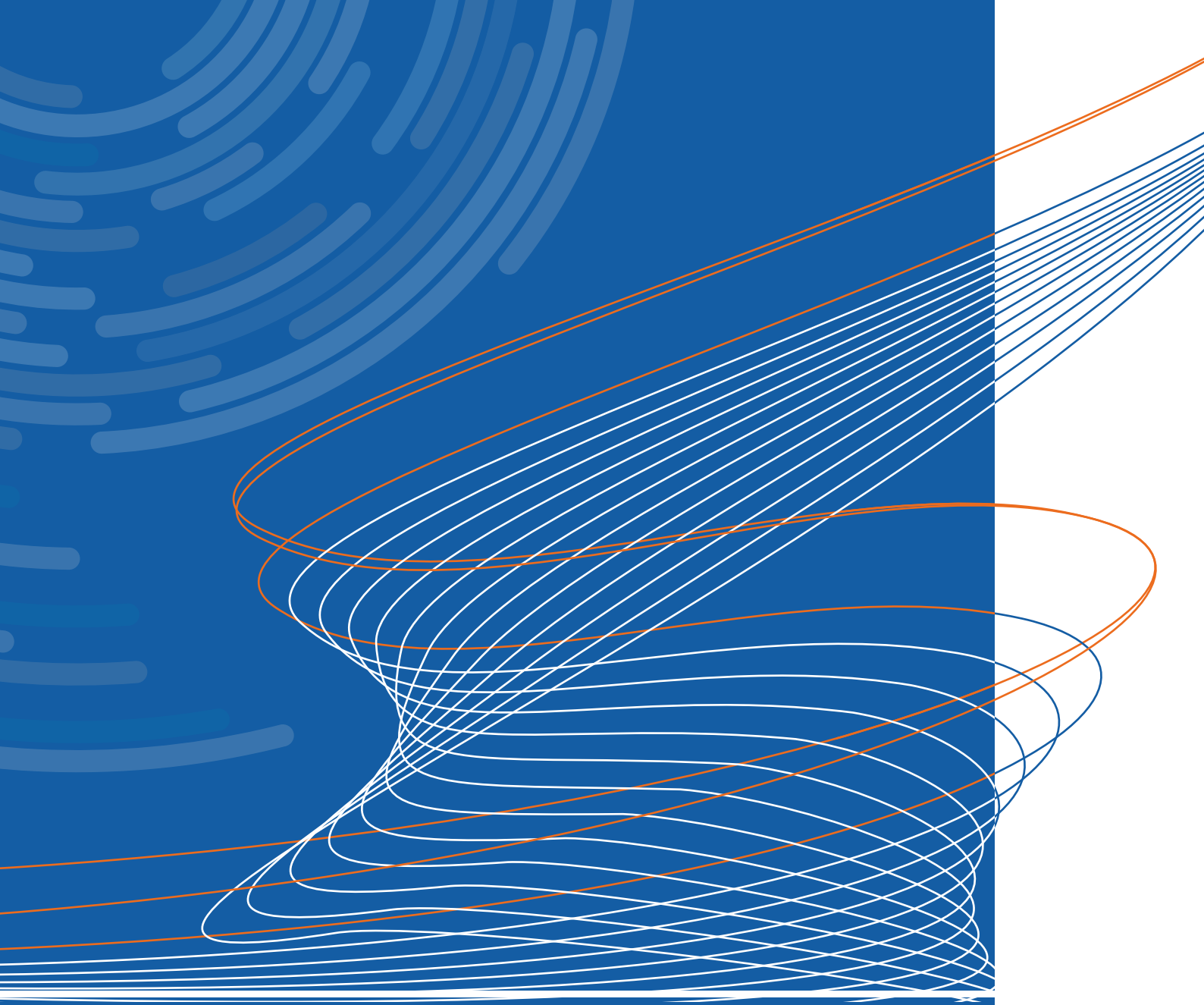
Garden pumps

Page 131

The WITA® family also includes the high-end brand ADELINO, which offers water pumps of the highest quality. Innovation and design are the focus at ADELINO. The technology and advanced manufacturing methods of our company make it possible to represent a lifestyle with ADELINO that finds its way into modern living solutions.

ADELINO: pump it!





Pressure boosting systems

Pressure boosting system CA 600



Product advantages

- Easy installation and use
- Compact design for easy integration
- Low noise, < 55 dB (A)
- Built-in frequency converter for a constant pressure control
- Dry-run protection

Applications

- Pressure boosting
- Household water supply



Product movie

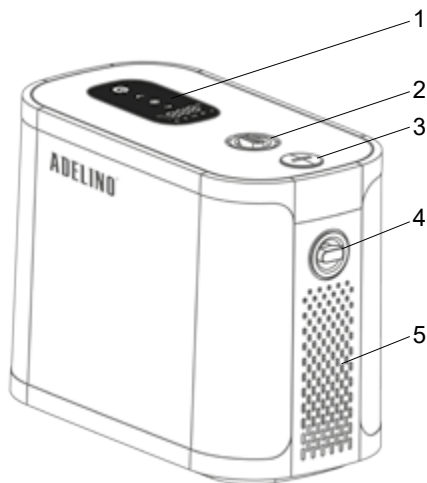


- Failure indicators
- Status display
- Pressure adjusting
- Settings
- Pressure adjusting
- On/off

Technical data

CA | 600

Product description

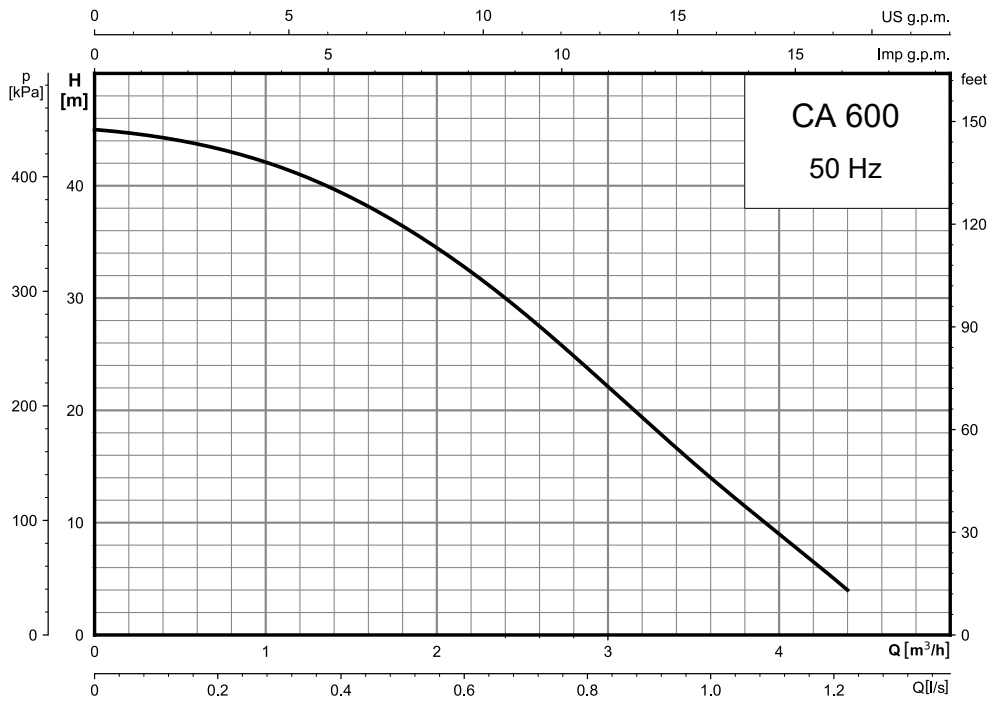


- 1. Operating panel
- 2. Outlet connection
- 3. Priming plug
- 4. Inlet connection
- 5. Ventilation holes

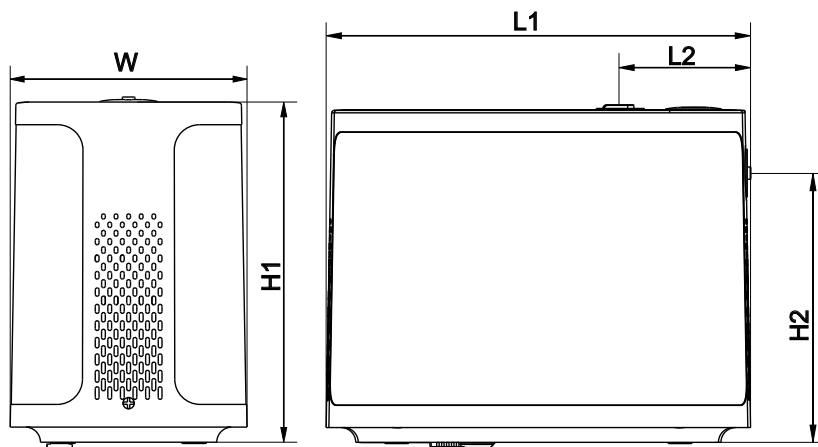
Max. head	45 m
Max. suction head	6 m
Rated power	600 W
Protection class	IP55
Supply voltage	1 × 230V 50/60Hz
Insulation class	F
Pump housing material	PA66-G30
Impeller material	PPO+GF30
Ambient temperature	0 ~ 40°C
Fluid temperature	5 ~ 90°C
Max. system pressure	10 bar
Cable	Length incl. protective power plug 1.5m

Article No
P OP340 8252

Hydraulic characteristics



Dimensions and Weight



Type	Nominal diameter		Length		Width	Height	
	Suction	Discharge	L1 (mm)	L2 (mm)	W (mm)	H1 (mm)	H2 (mm)
CA600	1"	1"	344.5	101	188	270	206.5

Pressure boosting system APS-A



Product advantages

- Compact design: The pump is equipped with a pressure tank, a flow switch and a mechanical pressure switch
- Automatic control and regulation of the water flow through integrated pressure tank, pressure switch and flow control valve
- Reduced operating noise level
- Dry-running protection: Pump switches off automatically if there is no flow at the pump inlet for 6 minutes. After the water flow is restored, the pump restarts automatically

Technical data

APS | 55-A

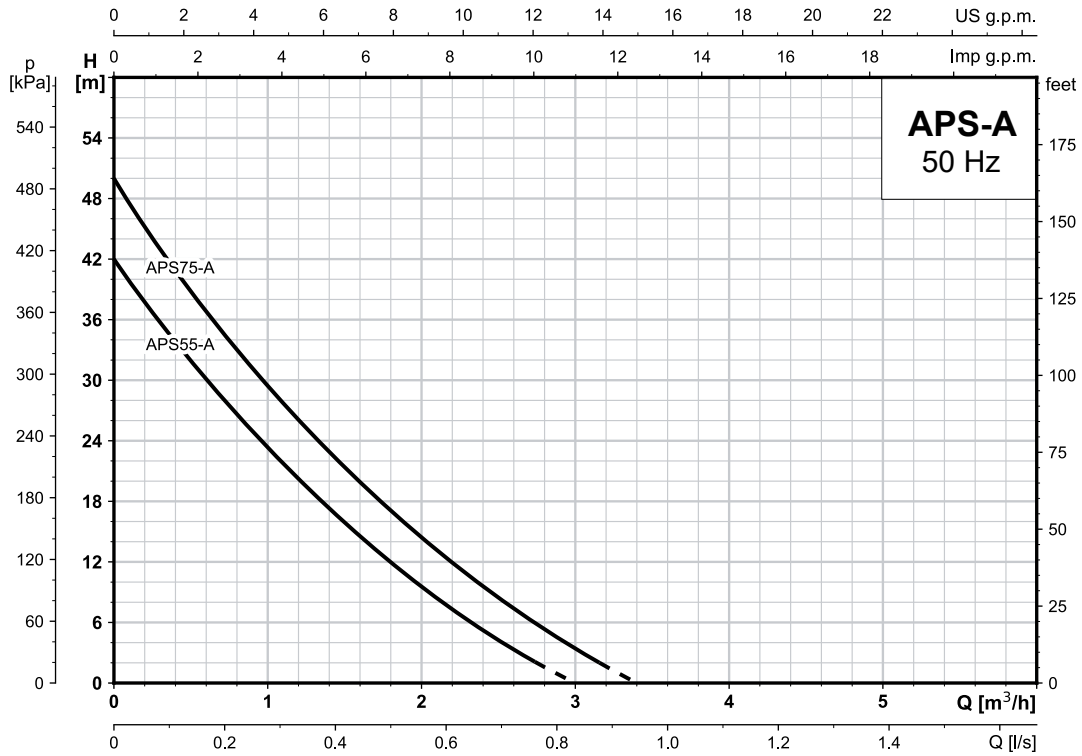
| 75-A

Max. head (m)	42	50
Max. Flow (m ³ /h)	3	3.4
Max. suction head (m)	8	8
Power P2 (kW)	0.55	0.75
Supply voltage	1x230V, 50Hz	1x230V, 50Hz
Protection class	IPX4	IPX4
Ambient temperature	40°	40°
Fluid temperature	90°	90°
Max. system pressure	5 bar	5 bar
Insulation class	Class B	Class B
Pump housing material	cast iron	cast iron
Impeller material	brass	brass
Cable	1.5m Length incl. protective power plug	1.5m Length incl. protective power plug

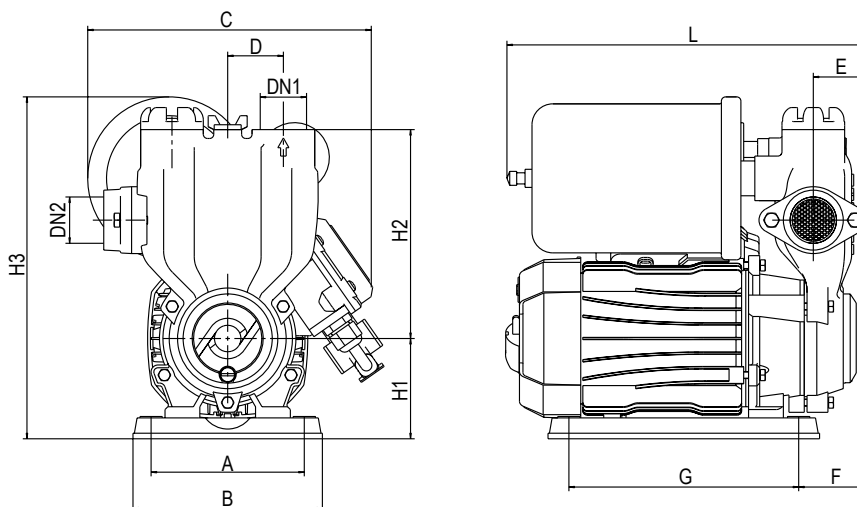
Article No
| P OP340 7463

Article No
| P OP340 7464

Hydraulic characteristics



Dimensions and Weight



Model	Connections		Dimensions (mm)										Weight (kg)		
	DN1	DN2	A	B	C	D	E	F	G	L	H1	H2	H3	N.W.	G.W.
APS55-A	1"	1"	132	160	212	50	39	41.5	190	268	84	170	285	11.4	12.1
APS75-A	1"	1"	132	160	212	50	39	41.5	190	268	84	170	285	13.1	13.8

Pressure boosting system APS-C



Product advantages

- Vertical design of vortex pump and pressure tank with new outer housing for a simple and elegant impression
- Automatic control and regulation of the water flow through integrated pressure tank, pressure switch and flow control valve
- Reduced operating noise level
- Simple and safe installation due to temperature sensor and insulation class F

Technical data

APS | 55-C

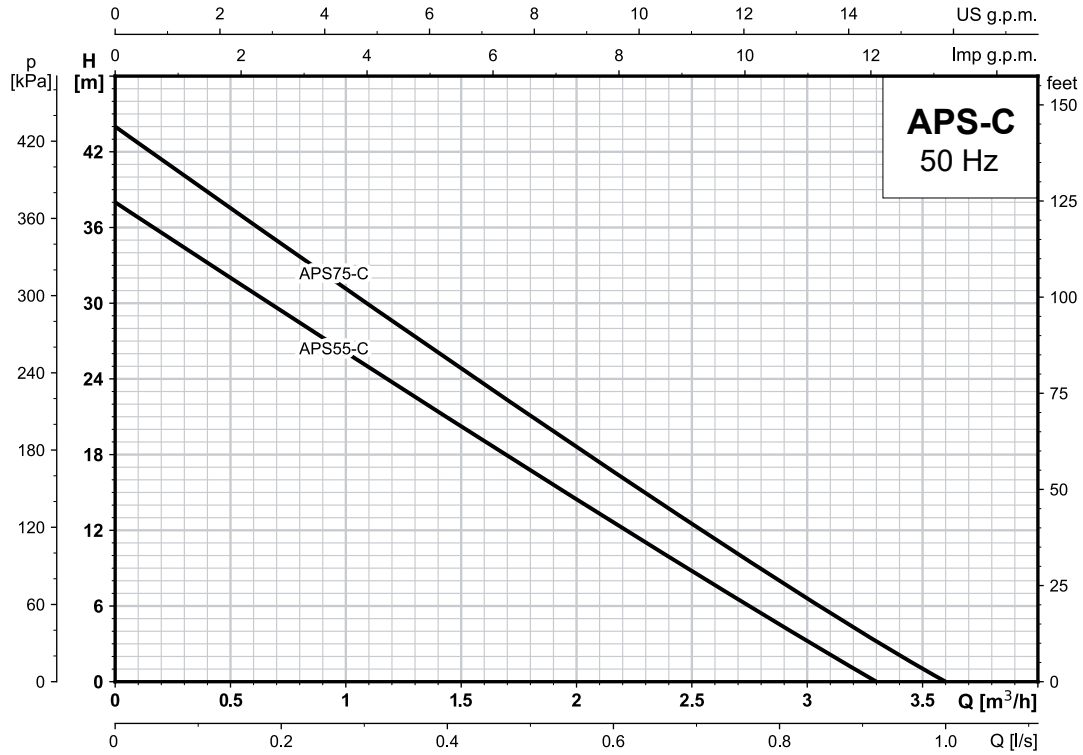
| 75-C

Max. head (m)	38	44
Max. Flow (m ³ /h)	3.3	3.6
Max. suction head (m)	6	6
Power P2 (kW)	0.55	0.75
Supply voltage	1x230V, 50Hz	1x230V, 50Hz
Protection class	IPX4	IPX4
Ambient temperature	40°	40°
Fluid temperature	60°	60°
Max. system pressure	5 bar	5 bar
Insulation class	Class F	Class F
Pump housing material	cast iron	cast iron
Impeller material	copper	copper
Cable	1.5m Length incl. protective power plug	1.5m Length incl. protective power plug

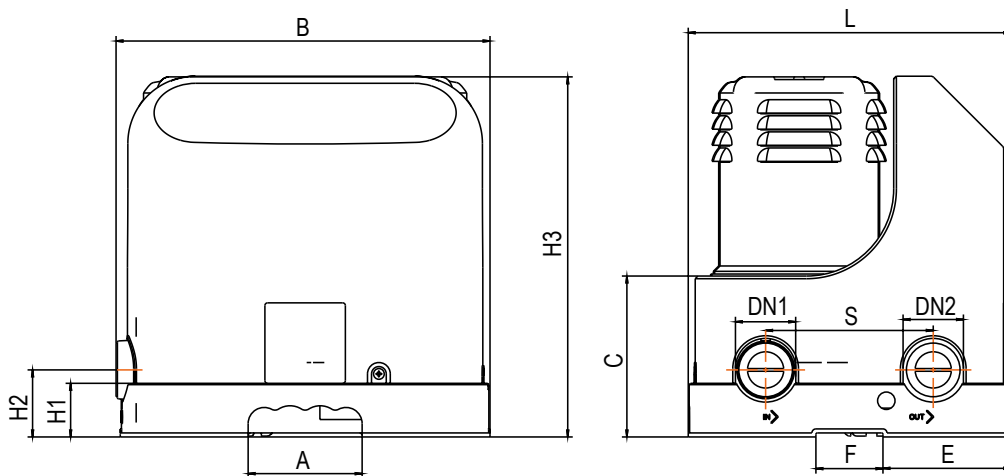
Article No
| P OP340 7473

Article No
| P OP340 7474

Hydraulic characteristics



Dimensions and Weight



Model	Connections		Dimensions (mm)										Weight (kg)	
	DN1	DN2	A	B	C	E	F	L	H1	H2	H3	S	N.W.	G.W.
Single-phase														
APS55-C	1"	1"	85	305	144	105	60	270	45	56.5	295	155	13.5	14.2
APS75-C	1"	1"	85	305	144	105	60	270	45	56.5	295	155	15.3	16



Pressure boosting system APS-D

Product advantages

- Compact design with a pressure tank, a flow switch, an electronic pressure switch and a control unit
- Control unit analyses the data for automatic start-stop function
- 3 -seconds start delay to avoid electrical surges
- Automatic shutdown if there is no flow at the pump inlet for 6 minutes. After the water flow is restored, the pump starts automatically
- Anti-blocking function: If the pump is on standby for 3 days, it runs automatically for approx. 10 seconds to prevent the pump from blocking

Technical data

APS | 55-D

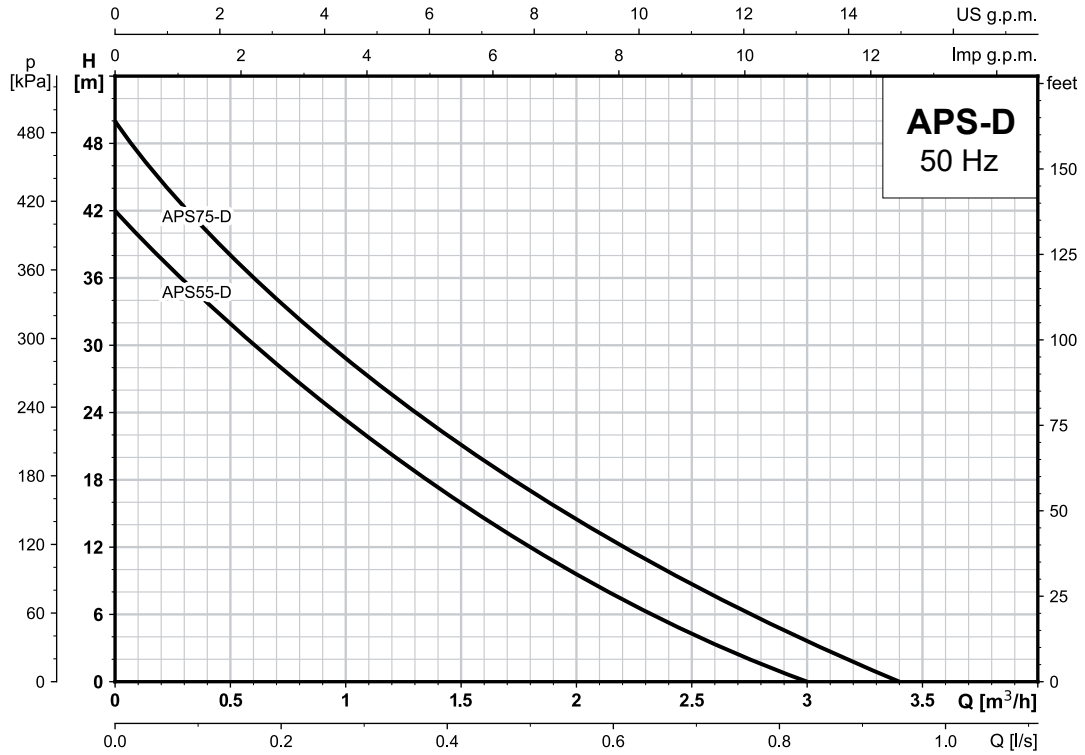
| 75-D

Max. head (m)	42	50
Max. Flow (m ³ /h)	3	3.4
Max. suction head (m)	8	8
Power P2 (kW)	0.55	0.75
Supply voltage	1x230V, 50Hz	1x230V, 50Hz
Protection class	IPX4	IPX4
Ambient temperature	40°	40°
Fluid temperature	90°	90°
Max. system pressure	5 bar	5 bar
Insulation class	Class B	Class B
Pump housing material	cast iron	cast iron
Impeller material	brass	brass
Cable	1.5m Length incl. protective power plug	1.5m Length incl. protective power plug

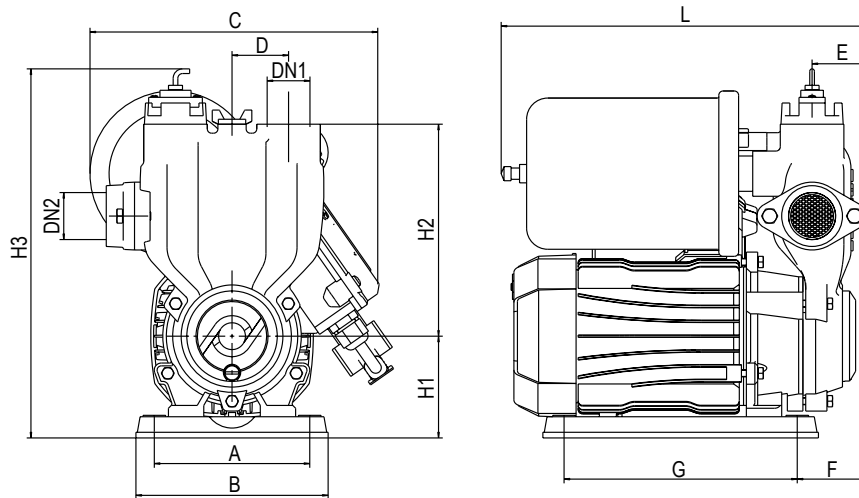
Article No
| P OP340 7582

Article No
| P OP340 7583

Hydraulic characteristics



Dimensions and Weight



Model	Connections		Dimensions (mm)										Weight (kg)		
	DN1	DN2	A	B	C	D	E	F	G	L	H1	H2	H3	N.W.	G.W.
Single-phase															
APS55-D	1"	1"	132	160	212	50	39	41.5	190	268	84	170	285	11.4	12.1
APS75-D	1"	1"	132	160	212	50	39	41.5	190	268	84	170	285	13.1	13.8

Pressure switch PS



PS-01

Product advantages

- Automatically starts and stops the pump
- Stops the pump in case of water shortage
- Working pressure adjustable
- Easy installation and maintenance free



PS-01A



PS-01B

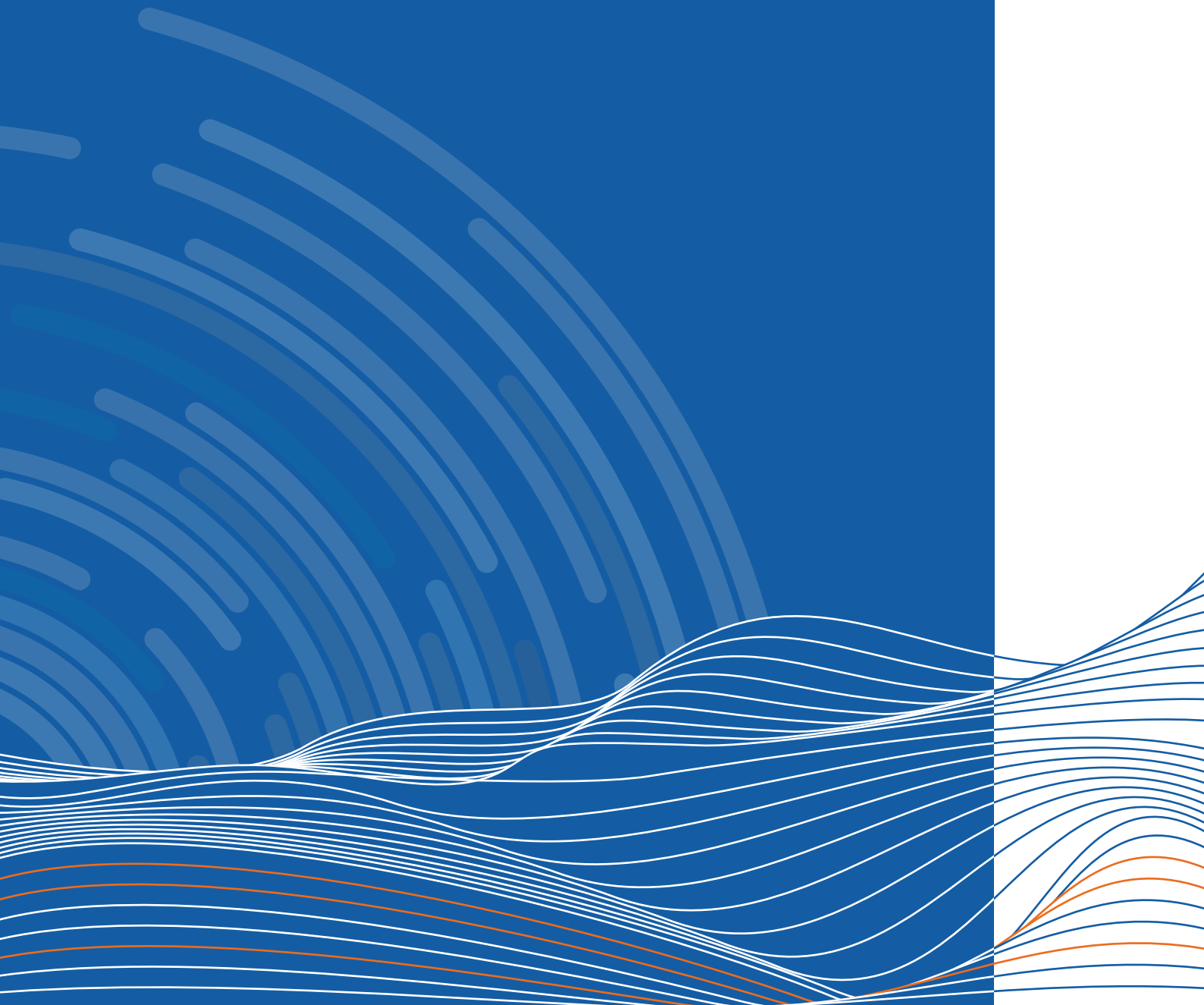


PS-01C

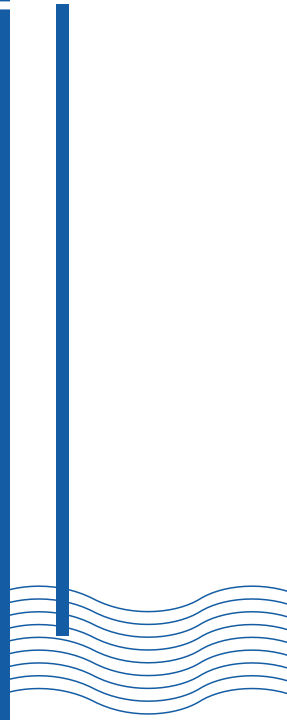
Technical data

PS- | 01 | 01A | 01B | 01C

Mains voltage	230 VAC±10%			
Frequency	50/60 Hz			
Current max.	10 A			
Power max.	1.1 kW			
Protection degree	IP65			
Operating pressure max.	10 bar (1.0 MPa)			
Operating temperature max.	55°C			
Male connections	G1"			
Pressure gauge	-	●	●	●
Cable preassembled	-	-	-	●
Dimensions (W x L x H)	225×165×170	155×125×220	105×95×190	240×135×130
	Article No P DS340 8926	Article No P DS340 8927	Article No P DS340 8928	Article No P DS340 8929



Well pumps





Well pump 3SAm

Product advantages

- Optimised new design and improved efficiency
- Easy installation due to low weight and better transport
- Mechanical seal ensures pump reliability
- Compact design and thus space saving enables wide range of application
- The value is characterized by a stainless steel pump housing as well as by the brass connection threads
- External thermal protection against motor overload

Technical data

3SAm | 1.8/27-0.75 | 1.8/33-1.1 | 2.5/25-1.1

Max. head (mH ₂ O)	115	142	104
Max. Flow (m ³ /h)	2.7	2.7	3.6
Power P2 (kW)	0.75	1.1	1.1
Supply voltage	1x230V, 50Hz	1x230V, 50Hz	1x230V, 50Hz
Current	6	8.4	8.4
Protection class	IPX8	IPX8	IPX8
Fluid temperature (°C)	40	40	40
Max. immersion depth (m)	70	70	70
Insulation class	Class B	Class B	Class B
Pump housing material	stainless steel	stainless steel	stainless steel
Impeller material	POM	POM	POM
Cable	25m Length incl. protective power plug	25m Length incl. protective power plug	25m Length incl. protective power plug
Motor	Ediable oil filled motor	Ediable oil filled motor	Ediable oil filled motor

Article No
P BP340 7204

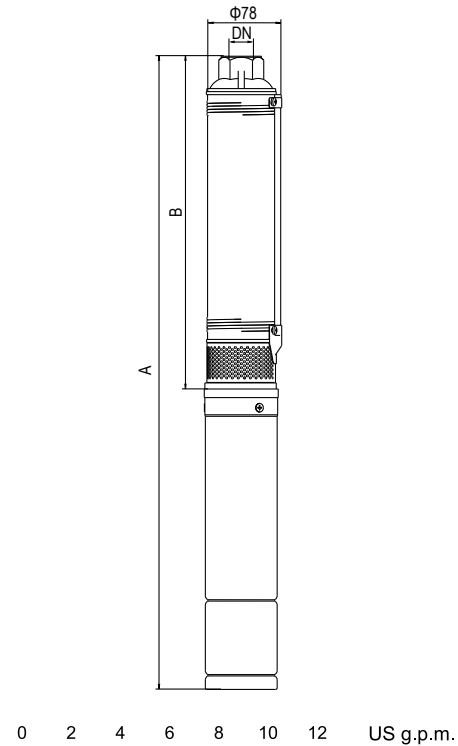
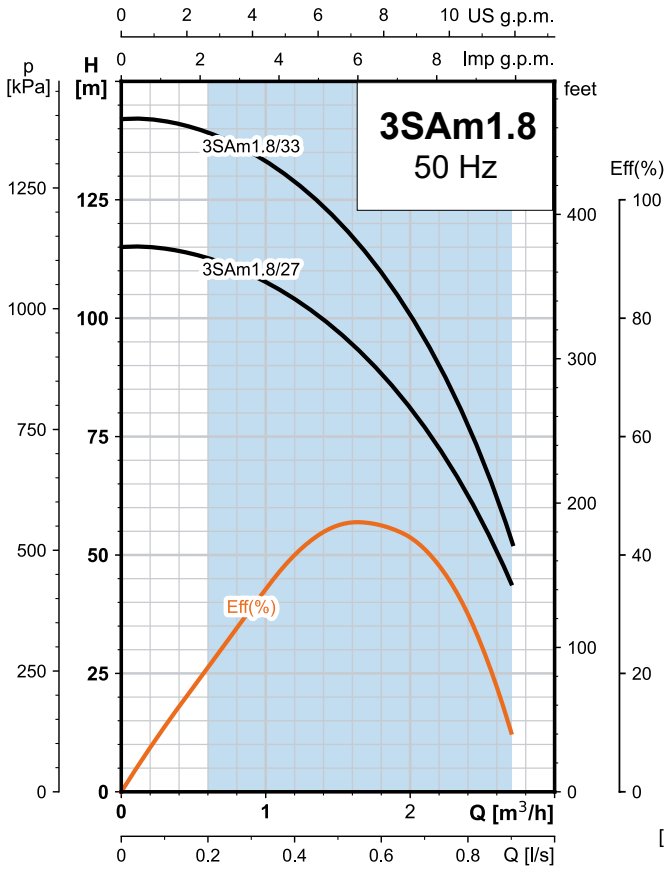
Article No
P BP340 7205

Article No
P BP340 7211

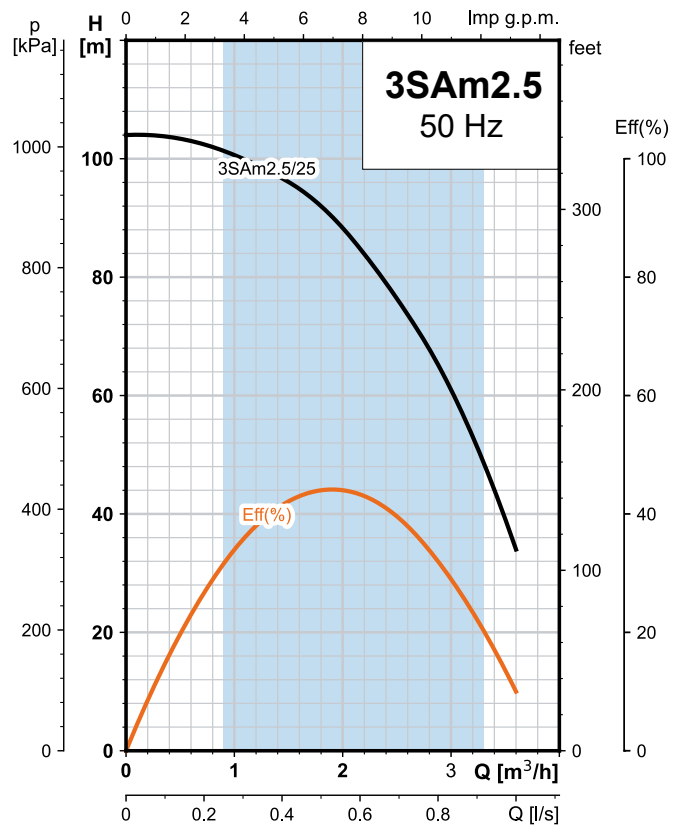
Different product types available on request.
Contact for the details.

Hydraulic characteristics

Dimensions and Weight



Model	Connections	Dimensions (mm)		Weight (kg)	
		A	B	N.W.	G.W.
3SAm1.8/27	1"	1255	831	12	13
3SAm1.8/33	1"	1475	966	14.5	15.5
3SAm2.5/25	1"	1425	916	13	14





Well pump 4SAm

Product advantages

- Optimised new design and improved efficiency
- Wide product range from 2 m³/h to 16 m³/h for the most diverse application requirements
- Mechanical seal ensures pump reliability
- New anti-sand structure of the motor for high sand resistance and long service life
- The value is characterized by a stainless steel pump housing as well as by the brass connection threads
- External thermal protection against motor overload
- Automatic pressure regulation mechanism to balance the pressure inside and outside the motor and increase the immersion depth

Technical data

4SAm | 2/8-0.37 | 2/16-0.75 | 2/28-1.5

Max. head (mH ₂ O)	58	117	206
Max. Flow (m ³ /h)	3.6	3.6	3.6
Power P2 (kW)	0.37	0.75	1.5
Supply voltage	1x230V, 50Hz	1x230V, 50Hz	1x230V, 50Hz
Current	4.2	6.9	12.2
Protection class	IPX8	IPX8	IPX8
Fluid temperature (°C)	40	40	40
Max. immersion depth (m)	70	70	70
Insulation class	Class B	Class B	Class B
Pump housing material	stainless steel	stainless steel	stainless steel
Impeller material	POM	POM	POM
Cable	25m Length incl. protective power plug	25m Length incl. protective power plug	25m Length incl. protective power plug
Motor	Ediable oil filled motor	Ediable oil filled motor	Ediable oil filled motor

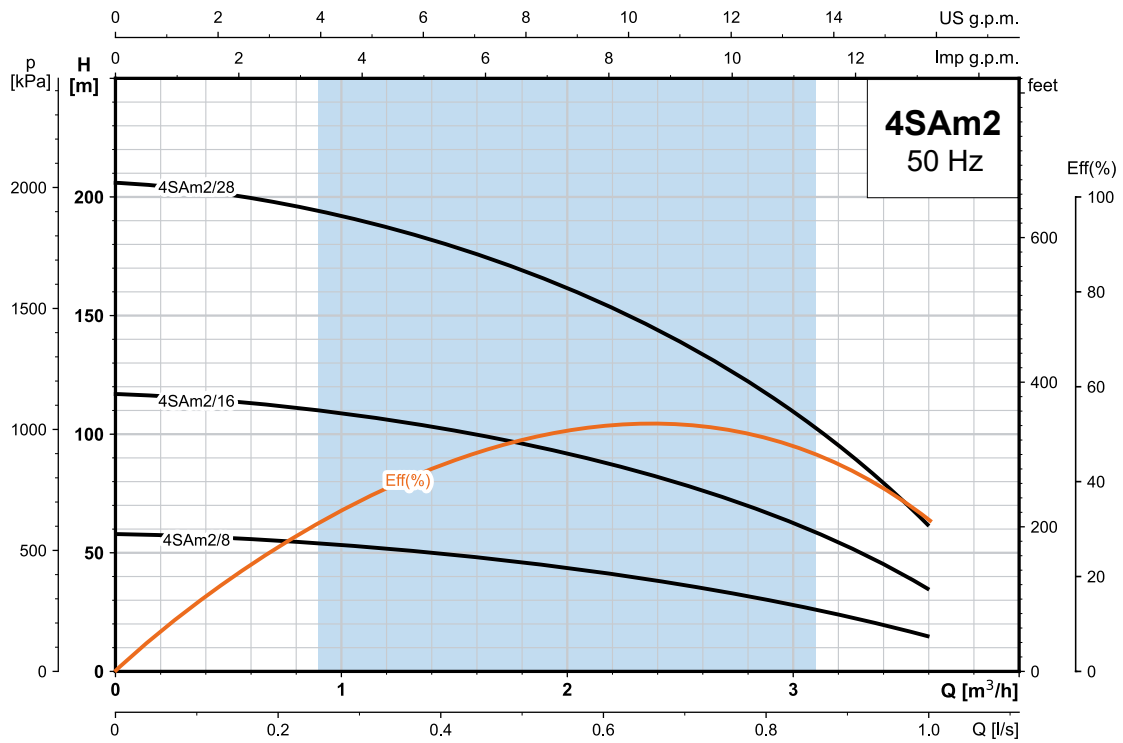
Article No
P BP340 7263

Article No
P BP340 7266

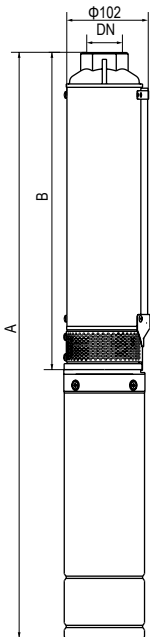
Article No
P BP340 7270

Different product types available on request.
Contact for the details.

Hydraulic characteristics



Dimensions and Weight



Model	Connections	Dimensions (mm)		Weight (kg)	
		A	B	N.W.	G.W.
Single-phase	DN				
4SAm2/8	1¼"	715	391	12.2	13.7
4SAm2/16	1¼"	959	590	16	17.5
4SAm2/25	1¼"	1333	884	M:15 P:6.8	M:17 P:7.8
4SAm2/28	1¼"	1407	958	M:15 P:7.4	M:17 P:8.4



Well pump NAm

Product advantages

- Excellent thermal performance due to internally mounted motor, good heat dissipation and effective control of the temperature rise range
- Integrated thermal protection and intelligent temperature sensing for effective coil protection
- Impeller made of high temperature resistant material to ensure long and reliable operation
- Structural design ensures reliable sealing and easy maintenance
- High quality and corrosion resistant stainless steel pump housing
- Durability in sediment-laden environments due to the impeller strand fixed as a whole and the radially sealed impeller ring

Technical data

NAm | 3/6

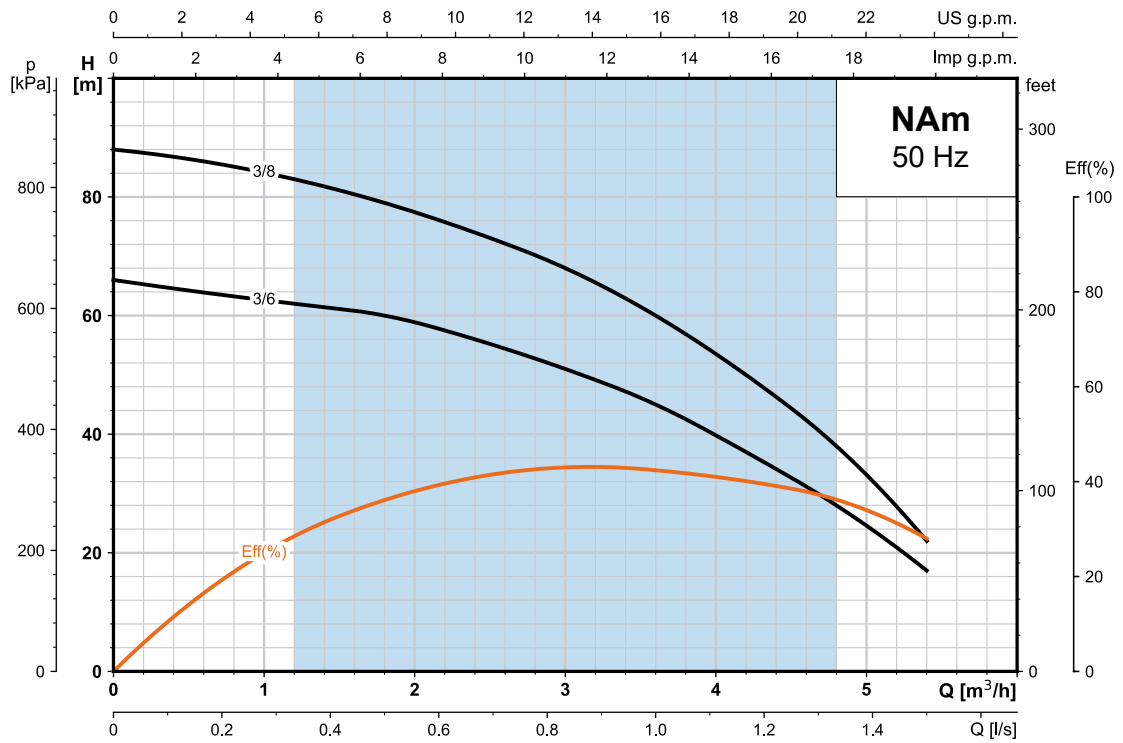
| 3/8

Max. head (mH ₂ O)	66	88
Max. Flow (m ³ /h)	5.4	5.4
Power P2 (kW)	1.1	1.5
Supply voltage	1x230V, 50Hz	1x230V, 50Hz
Current	8.4	10.9
Protection class	IPX8	IPX8
Fluid temperature (°C)	40	40
Max. immersion depth (m)	20	20
Insulation class	Class B	Class B
Pump housing material	stainless steel	stainless steel
Impeller material	PPO + GF30	PPO + GF30
Cable	25m Length incl. protective power plug	25m Length incl. protective power plug
Motor	Ediable oil filled motor	Ediable oil filled motor

Article No
| P BP340 7188

Article No
| P BP340 7189

Hydraulic characteristics



Dimensions and Weight



Model	Connections	Dimensions (mm)	Weight (kg)	
			N.W.	G.W.
Single-phase	DN	A		
NAm3/6	1¼"	690	19	20
NAm3/8	1¼"	780	22.5	24

ADELINO[®]

— WATER PUMPS —

— BY —





Submersible pumps

Submersible pump QDX



Product advantages

- Durable and wear-resistant due to plastic impeller
- Built-in overload protection
- Double mechanical seal and improved cable seal design
- Long service life due to cast iron pump body, treated with electrophoresis technology, sand- and corrosion resistant
- NOW NEW: with 10 m connection cable

Technical data

QDX | 10-12-0.55K3-F

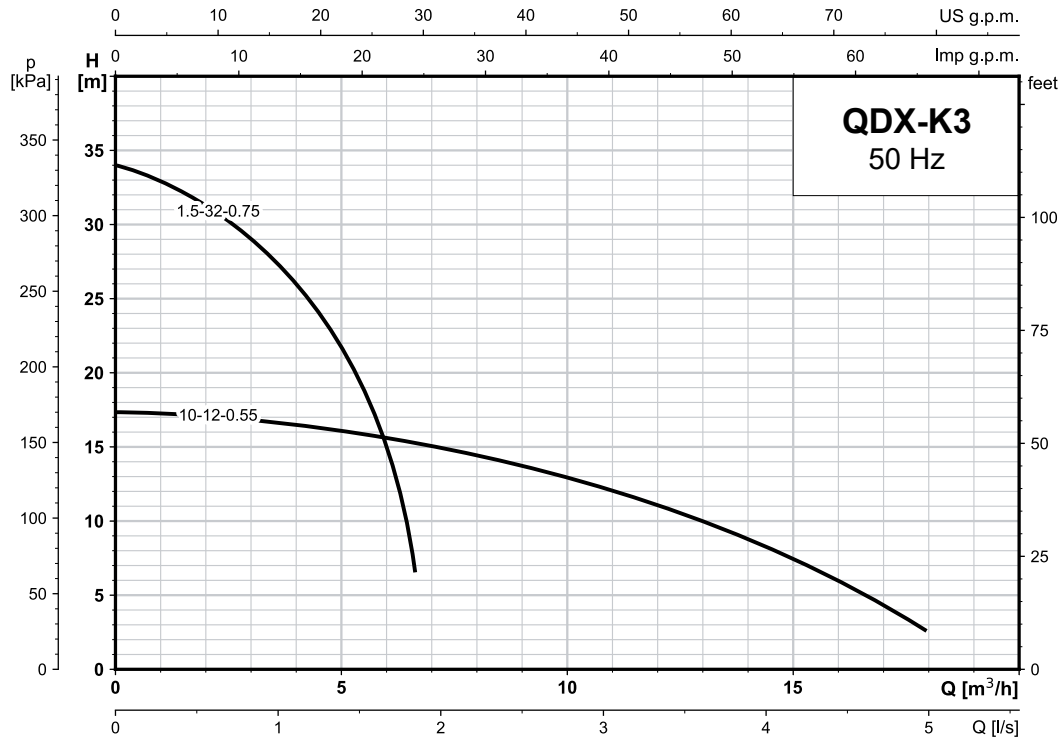
| 1.5-32-0.75K3-F

Max. head (m)	17	34
Max. Flow (m ³ /h)	18	6.5
Power P2 (kW)	0.55	0.75
Supply voltage	1x230V, 50Hz	1x230V, 50Hz
Protection class	IPX8	IPX8
Fluid temperature (°C)	40	40
Immersion depth (m)	0.5-5	0.5-5
Insulation class	B	B
Pump housing material	cast iron	cast iron
Impeller material	PPO + GF30	PPO + GF30
Cable (m)	10m Length incl. protective power plug	10m Length incl. protective power plug

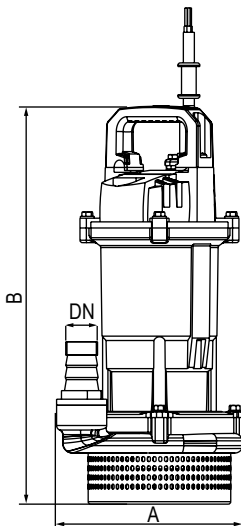
Article No
| P TP340 7551

Article No
| P TP340 7102

Hydraulic characteristics



Dimensions and Weight



Model	Connections	Dimensions (mm)		Weight (kg)	
		A	B	N.W.	G.W.
QDX1.5-32-0.75-K3	1"	235	390	12	12.5
QDX10-12-0.55-K3	1½"	230	370	11	11.5



Submersible sewage pump WVSD

Product advantages

- Durability and stability due to stainless steel housing and stainless steel screws
- High performance: The open impeller type contributes to a better flowability of the wastewater
- Reliable sealing: With double mechanical seal on both sides of the stainless steel shaft, a more reliable sealing performance is achieved

Technical data

WVSD | 55F | 75F | 110F | 150F

Max. head (m)	10	12	13	14
Max. Flow (m ³ /h)	18	21	27	30
Power P2 (kW)	0.55	0.75	1.1	1.5
Supply voltage	1x230V, 50Hz	1x230V, 50Hz	1x230V, 50Hz	1x230V, 50Hz
Protection class	IPX8	IPX8	IPX8	IPX8
Fluid temperature (°C)	40	40	40	40
Immersion depth (m)	0.5-5	0.5-5	0.5-5	0.5-5
Insulation class	B	B	B	B
Pump housing material	cast iron	cast iron	cast iron	cast iron
Impeller material	PPO + GF20	PPO + GF20	PPO + GF20	PPO + GF20
Cable (m)	10 m Length incl. protective power plug	10 m Length incl. protective power plug	10 m Length incl. protective power plug	10 m Length incl. protective power plug

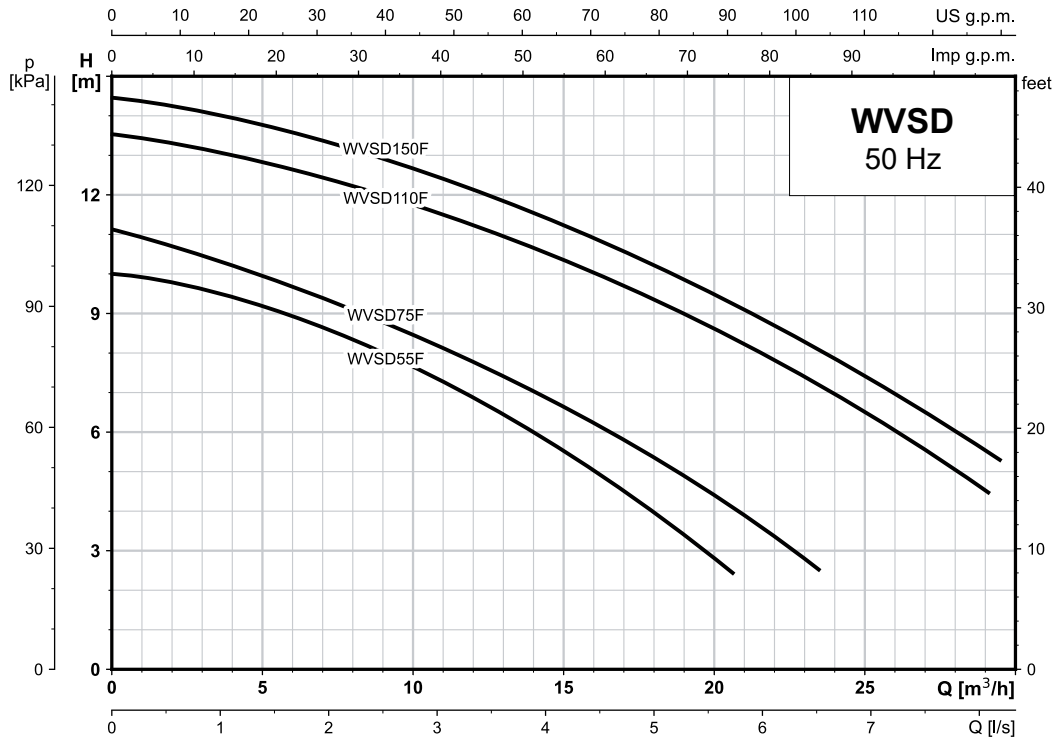
Article No
P TP340 7105

Article No
P TP340 7106

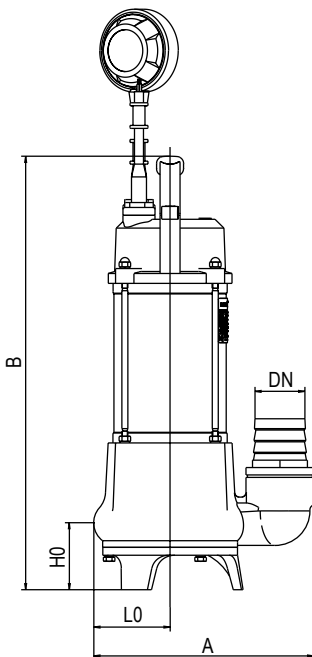
Article No
P TP340 7108

Article No
P TP340 7109

Hydraulic characteristics

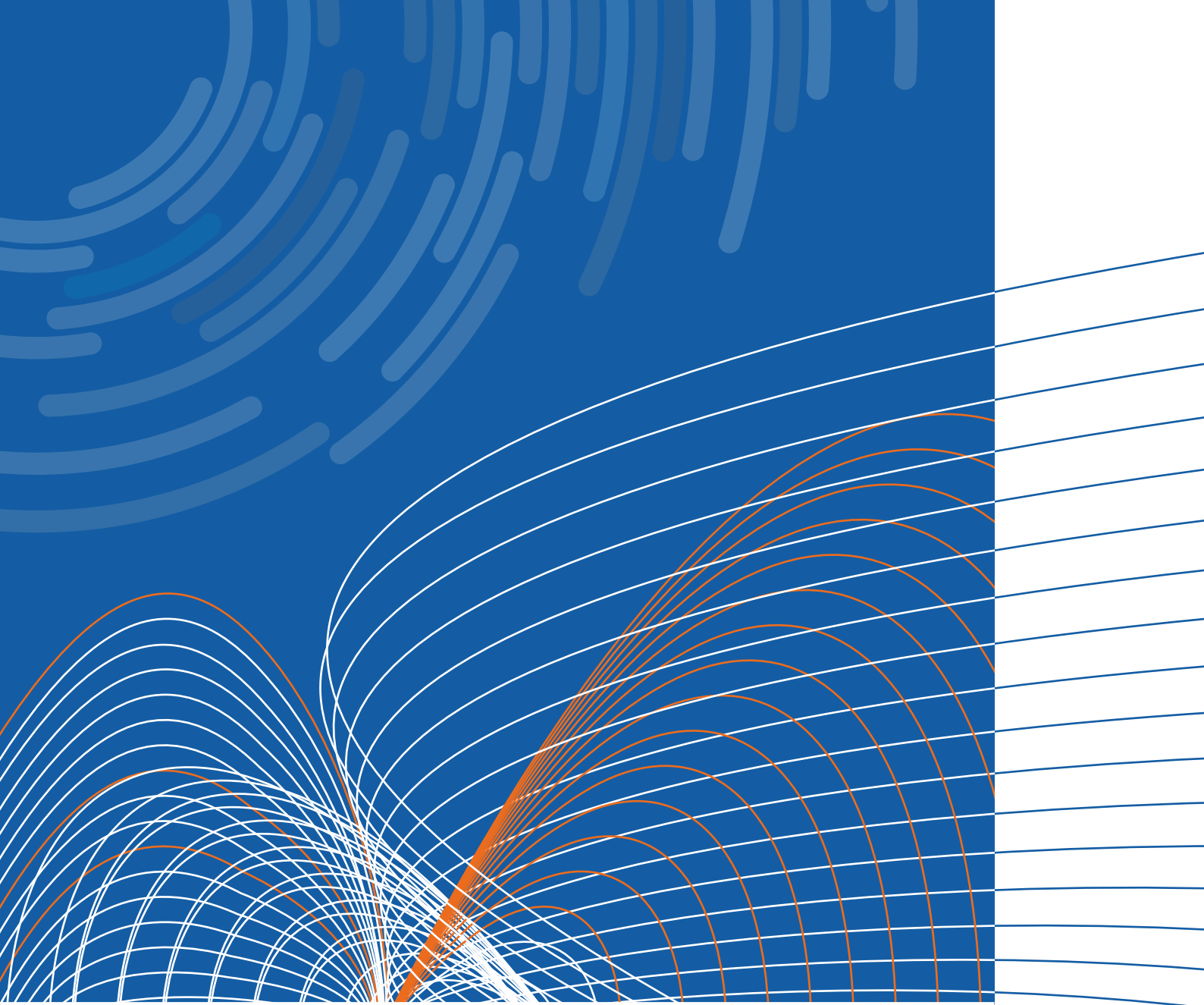


Dimensions and Weight



Model	Connections	Dimensions (mm)				Weight (kg)	
		A	B	LO	HO	N.W.	G.W.
Single-phase	DN						
WVSD55F	2"	220	440	79	67	16	17
WVSD75F	2"	220	460	79	67	18	19
WVSD110F	2"	245	475	90	83	22	23
WVSD150F	2"	245	500	90	83	24	25.5





Garden pumps

Centrifugal pump HPm



Product advantages

- Multi-stage centrifugal design for higher outlet pressure and higher efficiency
- Self-priming function with external pressure switch for automatic control
- Pump housing made of grey cast iron /stainless steel; the cast iron parts in contact with water are treated with electrophoresis technology
- Better overload protection of the motor due to insulation class EN 60085

Technical data

HPm | 203

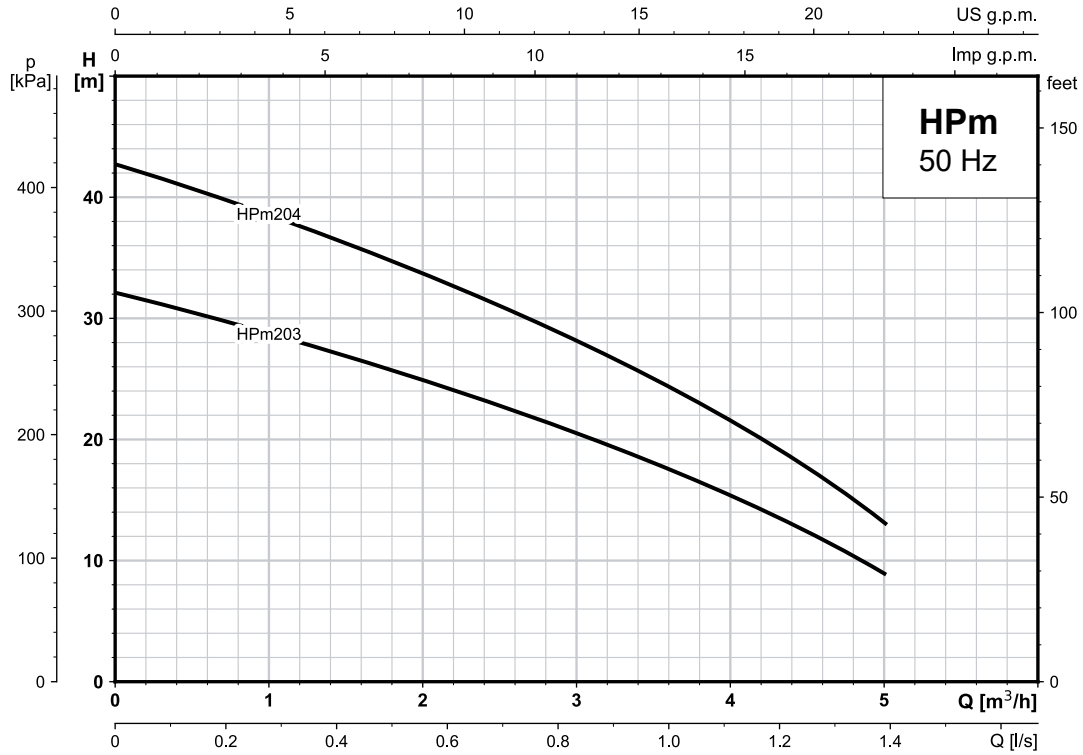
| 204

Max. head (m)	32	42
Max. Flow (m ³ /h)	5.4	5.4
Max. suction head (m)	7	7
Power P2 (kW)	0.37	0.55
Supply voltage	1x230V, 50Hz	1x230V, 50Hz
Protection class	IPX4	IPX4
Ambient temperature (°C)	40	40
Fluid temperature (°C)	40	40
Max. system pressure (bar)	4.5	4.5
Insulation class	Class F	Class F
Pump housing material	Cast iron/Stainless steel	Cast iron/Stainless steel
Impeller material	PPO + GF30	PPO + GF30
Cable	1.5m Length incl. protective power plug	1.5m Length incl. protective power plug

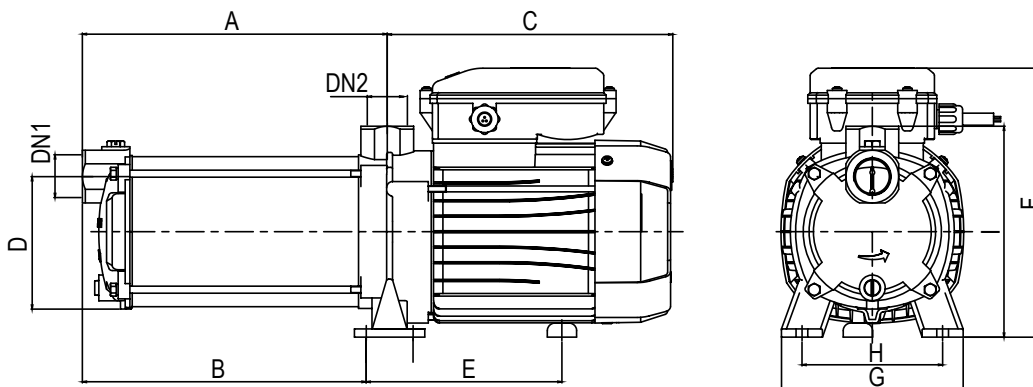
Article No
| P OP340 7145

Article No
| P OP340 7146

Hydraulic characteristics



Dimensions and Weight



Model	Connections		Dimensions (mm)									Weight (kg)	
	DN1	DN2	A	B	C	D	E	F	G	H	I	N.W.	G.W.
Single-phase HPm203	1"	1"	187	236.5	212	110	74	170	140	102	150.5	9.5	10.5
HPm204	1"	1"	213	262.5	212	110	74	170	140	102	150.5	10.5	11.5

Centrifugal pump ACm



Product advantages

- Innovative design, optimised engine - and hydraulic performance

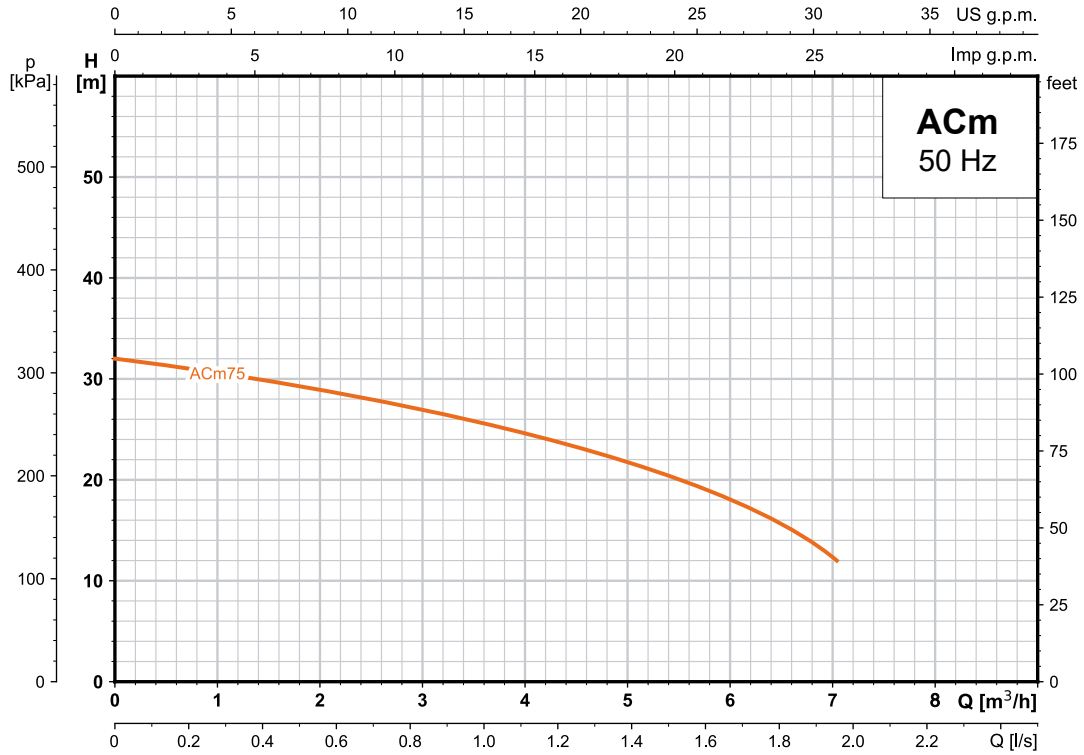
Technical data

ACm | 75

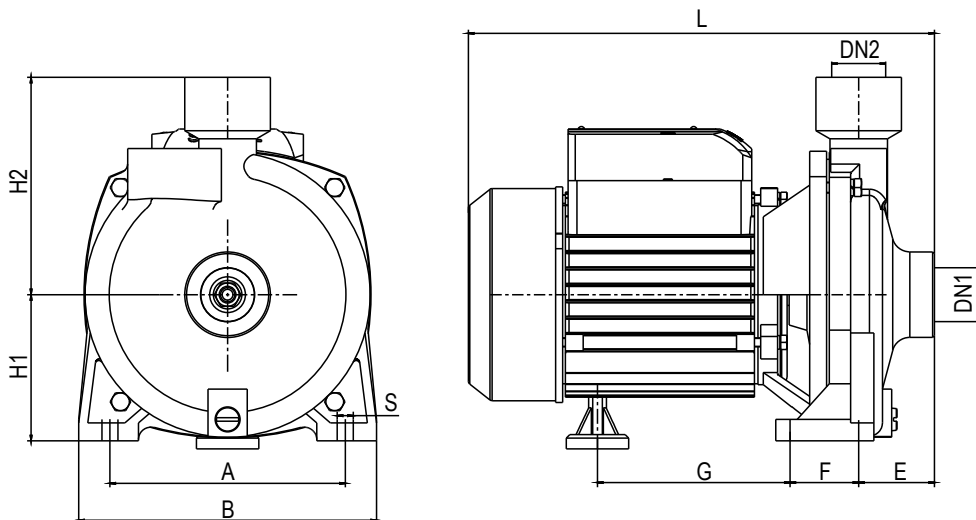
Max. head (m)	32
Max. Flow (m ³ /h)	7.2
Max. suction head (m)	7
Power P2 (kW)	0.75
Supply voltage	1x230V, 50Hz
Protection class	IP44
Ambient temperature (°C)	40
Fluid temperature (°C)	40
Max. system pressure (bar)	6
Insulation class	Class B
Pump housing material	cast iron
Impeller material	stainless steel
Cable	1.5m Length incl. protective power plug

Article No
| P OP340 7504

Hydraulic characteristics



Dimensions and Weight



Model	Connections		Dimensions (mm)								Weight (kg)		
	DN1	DN2	A	B	E	F	G	L	S	H1	H2	N.W.	G.W.
Single-phase ACm75	1"	1"	140	182	47	38	112	294	10	100	144	13.5	13.8

Centrifugal pump ACm



Product advantages

- Innovative design, optimised engine - and hydraulic performance

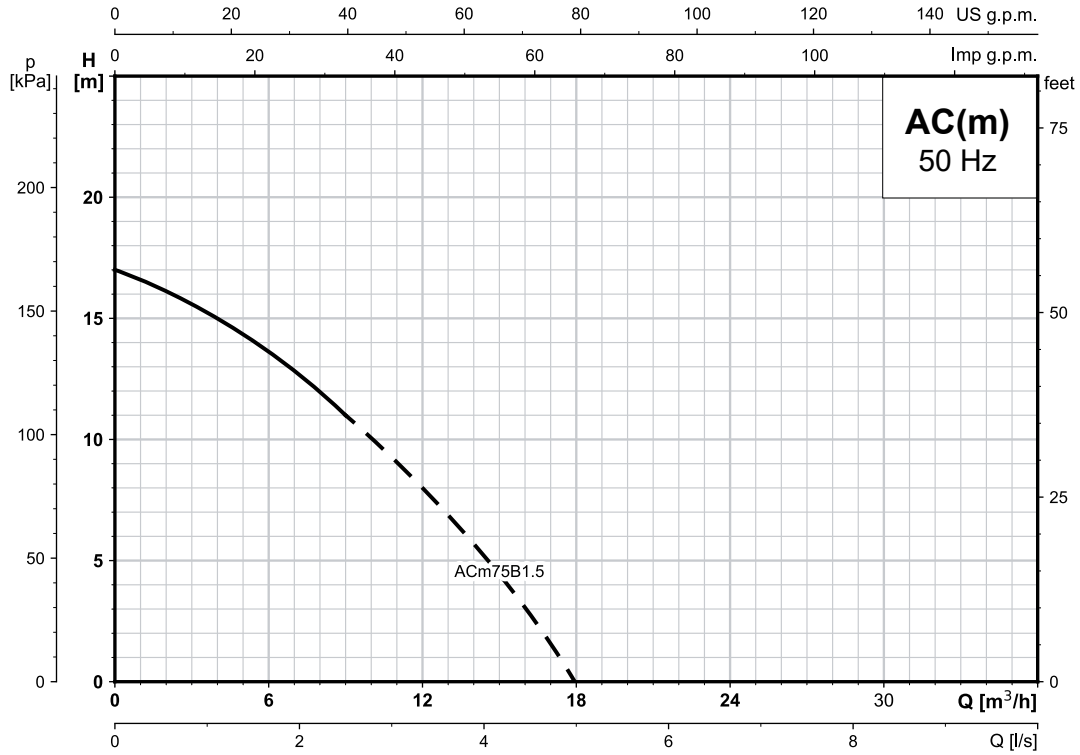
Technical data

ACm | 75B1.5

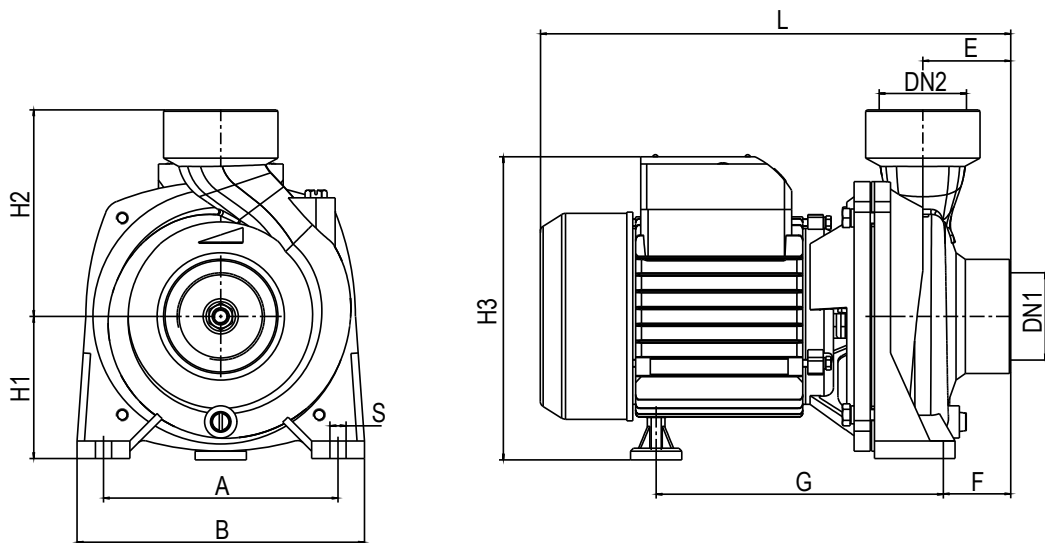
Max. head (m)	17
Max. Flow (m ³ /h)	18
Max. suction head (m)	7
Power P2 (kW)	0.75
Supply voltage	1x230V, 50Hz
Protection class	IP44
Ambient temperature (°C)	40
Fluid temperature (°C)	40
Max. system pressure (bar)	3
Insulation class	Class B
Pump housing material	cast iron
Impeller material	copper
Cable	1.5m Length incl. protective power plug

Article No
| P OP340 7509

Hydraulic characteristics



Dimensions and Weight



Model	Connections		Dimensions (mm)										Weight (kg)	
	DN1	DN2	A	B	E	F	G	L	S	H1	H2	H3	N.W.	G.W.
ACm75B1.5	1½"	1½"	160	190	41	91	129	299	10	95	135	204	10.5	11

Centrifugal pump HSm



Product advantages

- Multi-stage centrifugal design for higher outlet pressure and higher efficiency
- Pump housing made of stainless steel, hydraulic components such as the impeller made of glass-fibre reinforced plastic
- Automatic control: with an external pressure switch, a constant pressure of supplied water can be achieved

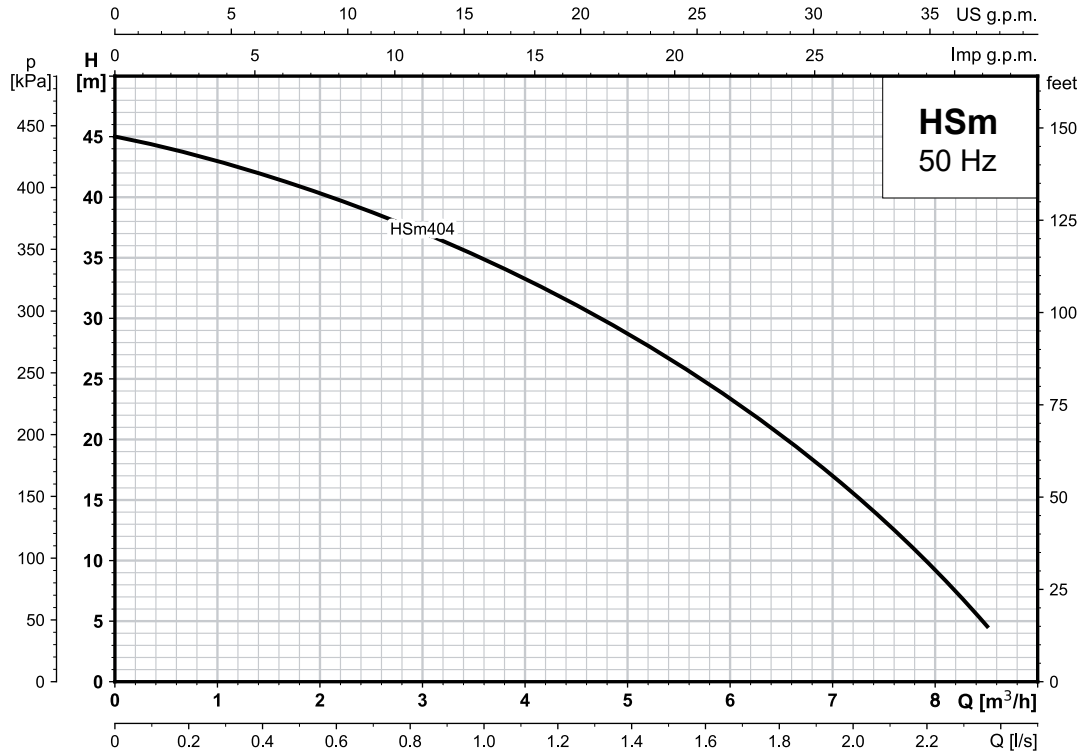
Technical data

HSm | 404

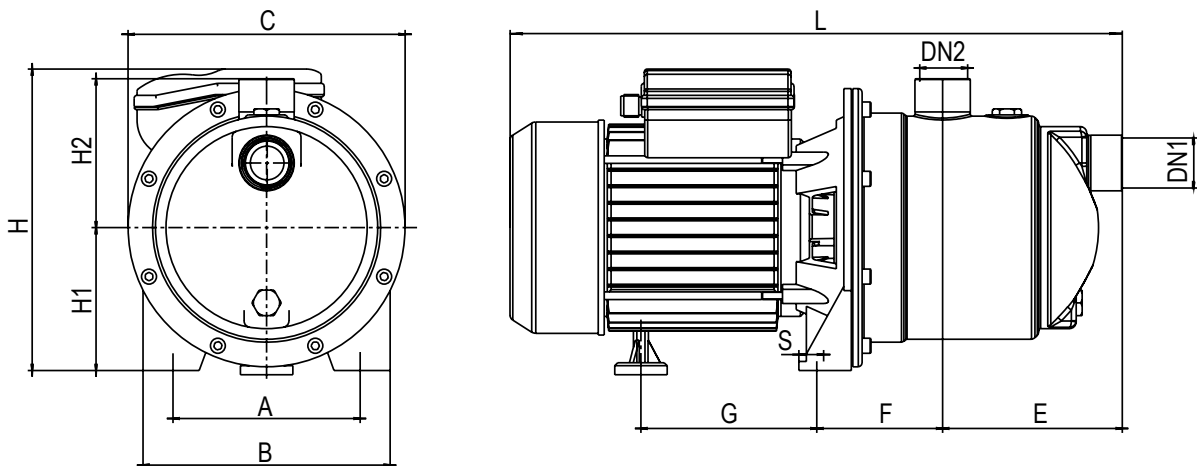
Max. head (m)	45
Max. Flow (m ³ /h)	9
Max. suction head (m)	7
Power P2 (kW)	0.75
Supply voltage	1x230V, 50Hz
Protection class	IP44
Ambient temperature (°C)	40
Fluid temperature (°C)	40
Max. system pressure (bar)	4.8
Insulation class	Class B
Pump housing material	stainless steel
Impeller material	PPO + GF30
Cable	1.5m Length incl. protective power plug

Article No
| P OP340 7482

Hydraulic characteristics



Dimensions and Weight



Model	Connections		Dimensions (mm)										Weight (kg)		
	DN1	DN2	A	B	C	E	F	G	L	S	H1	H2	H	N.W.	G.W.
Single-phase															
HSm404	1"	1"	125	165	185	120	84	117.5	409	9	95	99	204	11	11.5

Jet pump AJ-A



Product advantages

- Jet pump with brass impeller, PPO nozzle unit and pump body made of cast iron
- Configurable: for automatic control, the pump can also be supplied with a pressure switch and pressure tank

Technical data

AJ | 55-A

| 75-A

| 110-A

Max. head (m)	41	46	52
Max. Flow (m ³ /h)	3.6	4.5	5.4
Max. suction head (m)	9	9	9
Power P2 (kW)	0.55	0.75	1.1
Supply voltage	1x230V, 50Hz	1x230V, 50Hz	1x230V, 50Hz
Protection class	IP44	IP44	IP44
Ambient temperature (°C)	40	40	40
Fluid temperature (°C)	40	40	40
Max. system pressure (bar)	6	6	6
Insulation class	Class B	Class B	Class B
Pump housing material	cast iron	cast iron	cast iron
Impeller material	copper	copper	copper
Cable	1.5m Length incl. protective power plug	1.5m Length incl. protective power plug	1.5m Length incl. protective power plug

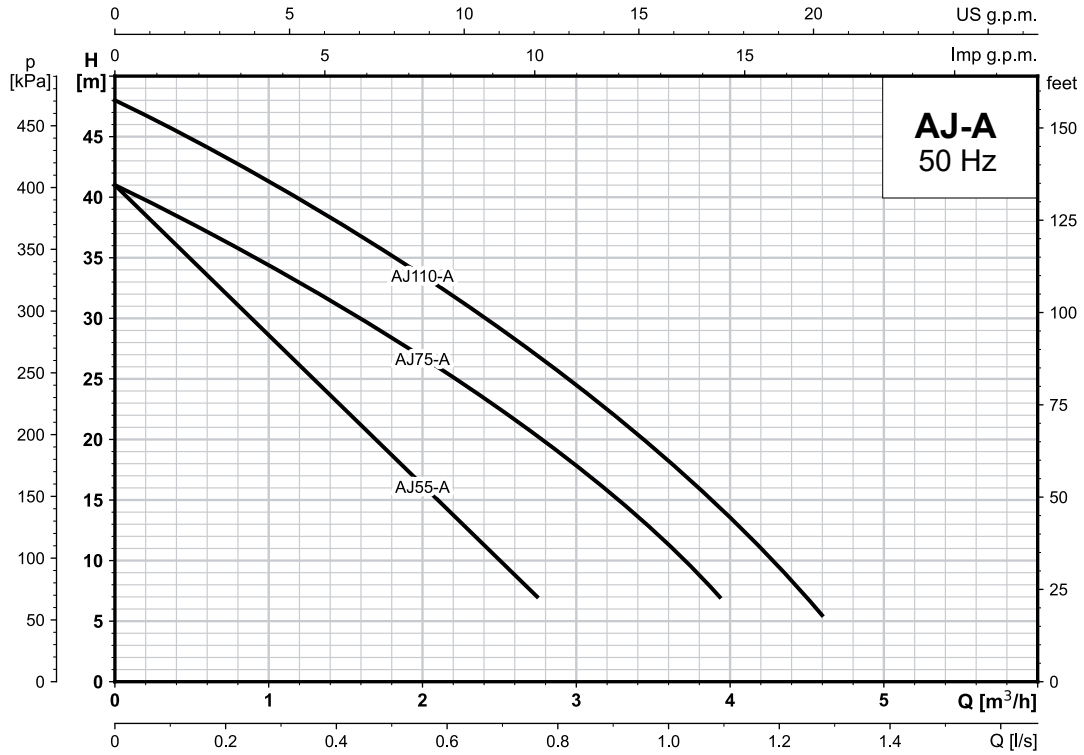
Article No
| P OP340 7165

Article No
| P OP340 7166

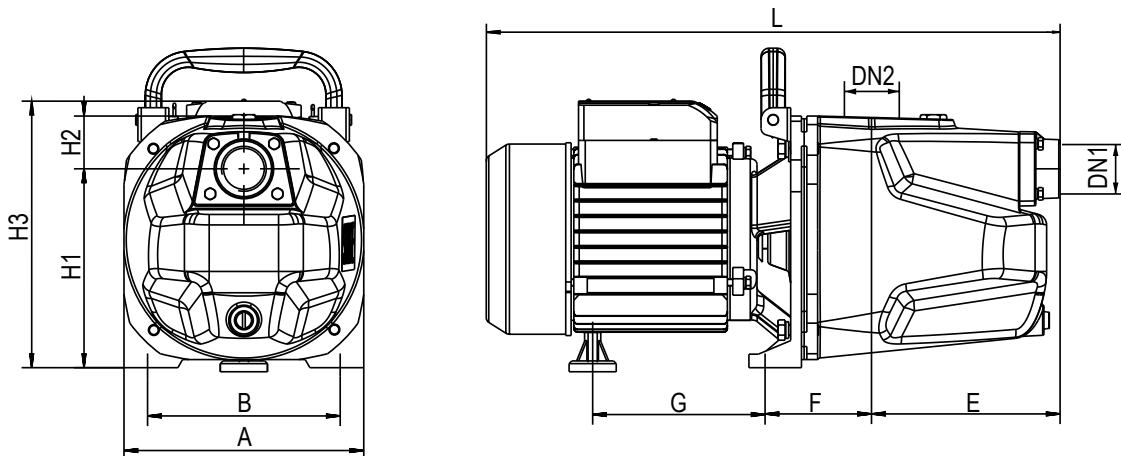
Article No
| P OP340 7167

Different product types available on request.
Contact for the details.

Hydraulic characteristics



Dimensions and Weight



Model	Connections		Dimensions (mm)									Weight (kg)	
	DN1	DN2	A	B	E	F	G	L	H1	H2	H3	N.W.	G.W.
Single-phase													
AJ55-A	1"	1"	140	178	132	21	193	430	147	38	204	13.3	14
AJ75-A	1"	1"	140	178	132	21	193	430	147	38	204	14.7	15.5
AJ110-A	1"	1"	140	178	132	21	193	430	147	38	204	15.7	16.5

Jet pump AJ-S



Product advantages

- New design with stainless steel pump housing
- Jet pump with PPO impeller and nozzle assembly, welded stainless steel rotor shaft
- Integrated thermal protection and watertight terminal box contribute to better pump protection

Technical data

AJ-S | 55

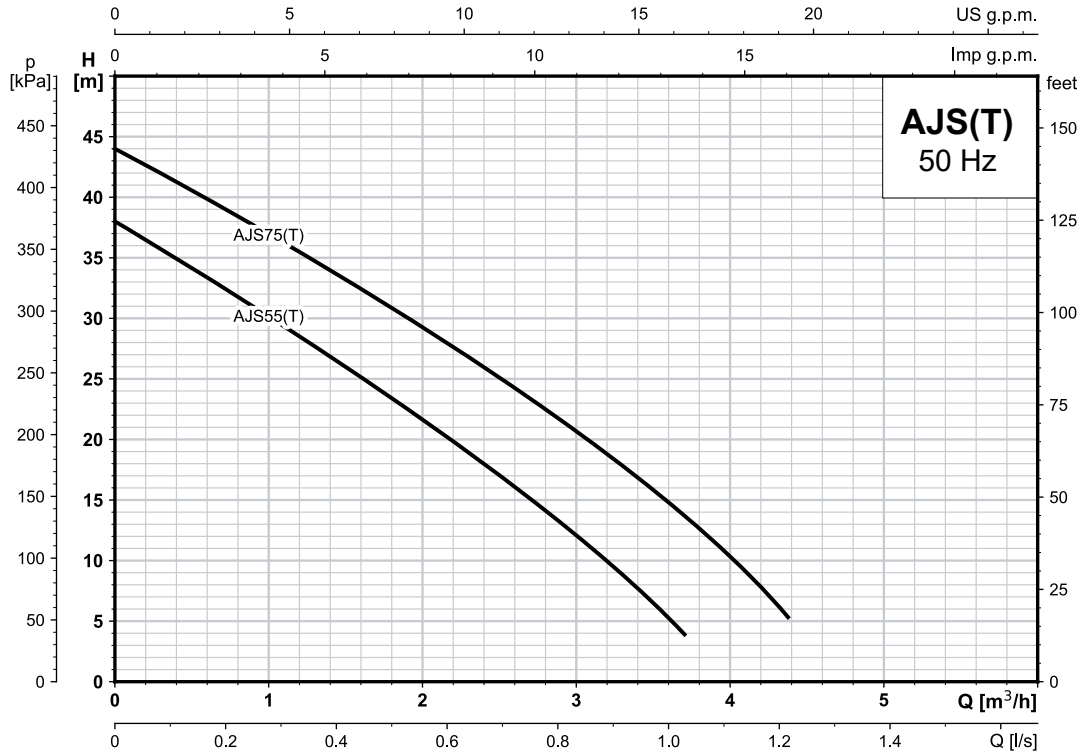
| 75

Max. head (m)	38	44
Max. Flow (m ³ /h)	4	4.5
Max. suction head (m)	9	9
Power P2 (kW)	0.55	0.75
Supply voltage	1x230V, 50Hz	1x230V, 50Hz
Protection class	IP44	IP44
Ambient temperature (°C)	40	40
Fluid temperature (°C)	40	40
Max. system pressure (bar)	4.8	4.8
Insulation class	Class B	Class B
Pump housing material	stainless steel	stainless steel
Impeller material	PPO	PPO
Cable	1.5m Length incl. protective power plug	1.5m Length incl. protective power plug

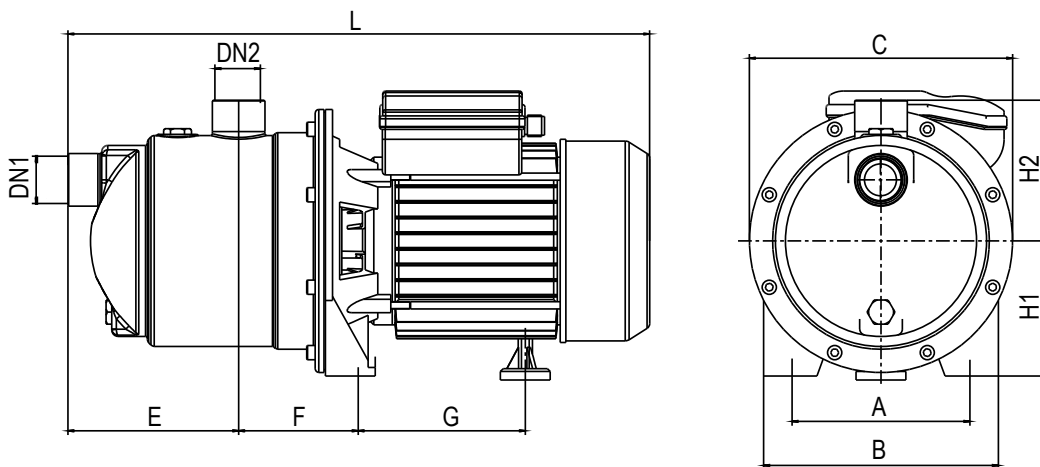
Article No
| P OP340 7151

Article No
| P OP340 7150

Hydraulic characteristics



Dimensions and Weight



Model	Connections		Dimensions (mm)								Weight (kg)		
	DN1	DN2	A	B	C	E	F	G	L	H1	H2	N.W.	G.W.
Single-phase													
AJS55	1"	1"	125	165	185	76.5	83.5	114.5	371	95	99	8.8	9.3
AJS75	1"	1"	125	165	185	76.5	83.5	114.5	371	95	99	10.2	10.7

General Terms of Sales and Delivery

The scope of these General Terms of Sales and Delivery includes issues not regulated in the Contract, in particular placing orders, execution of deliveries and settlements between the Purchaser and the Supplier (hereinafter referred to as GTSD)

§ 1. Definitions

1. For the purposes of these General Terms of Sales and Delivery; and of the Contract, the following terms shall apply:

- „Purchaser” - entity concluding a Contract with the Supplier
- „Supplier” - WITA Spółka z ograniczoną odpowiedzialnością with its registered office in Zielonka, ul. Biznesowa 22, Białe Błota, entered in the Register of Entrepreneurs of the National

Court Register kept by the District Court in Bydgoszcz, XIII Economic Department of the NCR, under NCR number (KRS): 0000152871, holding Tax Identification Number (NIP): 554-023-67-95, Statistical Identification Number (REGON): 090019133, with share capital of 100.000,00 PLN;

- „Contract” - a framework agreement on cooperation between the Supplier and the Purchaser;

- „Purchase order” - a written order for delivery of pumps, mixing valves and other fittings offered by WITA Sp. z o.o. for the Polish market, concluded between the Supplier and the Purchaser;

- „Working day” - all days except Saturdays, Sundays and public holidays in Poland;

- „Goods” - products offered by the Supplier and purchased by the Purchaser;

- „Price List” - a document constituting an appendix to the Contract, in which the Supplier determines prices of the Goods as well as other charges related to the Contract;

- „Parties” - the Supplier and the Purchaser;

- „Force Majeure” - shall mean and include any circumstances or events beyond the Supplier’s control - both foreseeable and unforeseeable at the time of signing the Contract - as result of which the Supplier is unable to perform its obligations - either as a result of a Force Majeure event or due to the default of the Supplier’s suppliers. In the case that the Force Majeure event continues for a period of three (3) consecutive months (or in the case that the Supplier expects the delay to continue for a period of three (3) consecutive months), then the Supplier shall be entitled to cancel all or part of the Contract without the liability to the Purchaser.

In particular, they are understood as all extraordinary events of an external nature, which are impossible to foresee and which cannot be effectively resisted despite the exercise of the utmost care, such as, in particular: disasters, fires, floods, and other natural disasters, explosions, terrorists attacks, social unrest, strikes, acts of war, which in part or in whole, prevent the performance of obligations contained in the Contract or which hinder the performance of such obligations under the terms of the Contract.

§ 2. Placing and confirming Orders

1. Orders for the Goods should be placed in writing. The Parties have agreed,

that the order for the Goods constitutes a statement submitted by the Purchaser to the Supplier in writing (including the electronic form via e-mail), constituting an offer for purchase of the Goods, irrevocable for the period of 7 days, specifying the conditions of purchase and delivery of the Goods indicated therein, including: the scope of delivery, the date of the order, the price of the Goods, the value of the order, the terms of payment, dates and conditions of delivery, including the place of delivery and additional requirements.

2. Within the validity period of the Order for Goods, the Supplier shall acknowledge the received Order for Goods. The Parties have agreed, that confirmation of the Order for Goods constitutes a statement made by the Supplier to the Purchaser, in writing (including the electronic form via e-mail), constituting acceptance of the Order for Goods.

3. The Order for Goods or confirmation of the Order for Goods placed electronically via email should be attached as a signed attachment in PDF format.

4. The conclusion of the Contract related to the Order shall take place as of the moment of confirming the Order for Goods by the Supplier within the validity period of the order. Failure to confirm the Order for Goods by the Supplier means, that the order for Goods has not been accepted for execution.

5. Any change in the terms of the Order or supplementation to the Order being the subject of the Contract may be made at any time upon the Parties’ consent.

6. The parties exclude the application of Article 68 (2) of the Civil Code.

7. The Supplier reserves the right to make changes in the construction of the Goods during the performance of the Contract. However, he is not obliged to make such changes in the Goods already delivered.

§ 3. Execution of Orders

1. The place, where the Goods are left at the disposal of the Purchaser is the place indicated in the content of the Order or the Supplier’s warehouse in Zielonka or another place specified in the Contract.

2. When the Goods will be delivered to the address indicated in the content of the Order or to another address of the Purchaser indicated in the Contract, the Supplier should properly prepare the Goods for the transport and transfer them to the carrier chosen by it.

3. The Purchaser is obliged to collect the purchased Goods within 7 days from the date of receipt of notification from the Supplier, sent via e-mail, that the Order has been executed. After expiration of the period specified in the preceding sentence, the Supplier should store the Goods in the Supplier’s warehouse or in another place selected by it at the expense and risk of the Purchaser.

4. Unless the Parties decide otherwise, for orders over 1.000,00 (one thousand) zloty net worth, transport costs shall be borne by the Supplier. For orders below the above mentioned amount,

transport costs shall be borne by the Purchaser and these costs will be added to the VAT invoice related to the Contract.

5. The moment of the delivery of the Goods is:

6. The risk of loss or accidental damage to the Goods shall pass to the Purchaser:

- in the case of collection of the goods in person by the Purchaser - at the

moment of collection;

- in other cases - at the moment of delivery of the Goods by a carrier to the Purchaser.

7. Acceptance of the Goods by the Purchaser or its representative shall be confirmed by an acceptance protocol at the moment of delivery of the goods. The Purchaser shall examine the Goods by verifying the compliance of the delivered Goods with the specification written in the Contract at the time of delivery.

§ 4. Prices and payment

1. In cooperation between the Parties prices are determined on the basis of the current Price List published on the Supplier's website at www.wita.pl, specifying the prices of the Goods, the price list validity period and the rules for its updating.

2. New prices do not include deliveries of the Goods previously ordered and confirmed by the Supplier, despite the fact, that their delivery will take place after the new Price List enters into force.

3. Announcements, advertisements, catalogues and other advertising materials concerning the Goods offered by the Supplier are only for information purposes and do not constitute an offer within the meaning of the Civil Code.

4. The Supplier's prices are ex-warehouse prices of the Supplier's warehouse plus appropriate rate of Value Added Tax (VAT), applicable as at the date of written confirmation of the Order by the Supplier.

5. Unless otherwise agreed in writing, prices in the Supplier's Price List are prices expressed in Polish zloty (PLN) or euro (EUR), and payment to the Supplier shall be made in the currency specified in the content of the Purchase Order.

6. Unless otherwise agreed, the payment for the Goods delivered to the Purchaser according to the provision § 3 passage 1 of GTSD shall be made within 30 days from the date of the receipt by the Purchaser of a correctly issued VAT invoice.

7. The date of payment shall be the date on which the entire amount due is credited to the Supplier's bank account indicated on the VAT invoice.

8. Unless otherwise agreed in writing by the Parties, the basic form of payment shall be the transfer to the Supplier's bank account indicated in the Contract concluded with the Purchaser and on the VAT invoice.

9. In the case of delay in payment of any amount due, resulting from even one VAT invoice, the Supplier reserves the right to recognize all amounts due as immediately due, including payments resulting from invoices not yet due. Moreover, in the case of the Purchaser's delay in payment of due receivables, the Supplier shall be entitled to credit the payment made by the Purchaser first towards statutory interests for late payment and then towards the receivables most due, regardless of whether the Purchaser indicated, which receivable is being paid.

10. If the Purchaser fails to make full payment or settlement for the purchased Goods in the form and within the time limits specified in the Contract, the Supplier shall be entitled to suspend execution of the further parts of the Order being the subject of the Contract until the amount due has been settled, without incurring any financial liability on this account.

11. The supplier may unilaterally amend the Price List during the validity period of the Contract, which shall not constitute the amendment to the Contract.

12. In case of failure of payment for at least one invoice on time, the Supplier shall be entitled to cancel all discounts granted to the Purchaser in the current calendar year. The cancellation of

the discount shall be confirmed by a payment request for the amounts due resulting from the difference in the price of the Goods before the discount has

been granted compared to the

difference in price of the Goods after the discount(s) have been granted.

§ 5. Responsibility

1. The Purchaser is obliged to carefully examine the Goods, in particular in terms of quantity and quality (quantity, material, dimensions) directly upon receipt and to determine any possible shortages or damages to the Goods incurred during transport under pain of losing the right to claim.

2. Any possible shortages in the ordered Goods, inconsistencies of the Goods with the Contract or the picking list as well as mechanical damage to the Goods ascertained by the Purchaser shall be reported in writing on the delivery note or on the copy of the picking list and, additionally in a separate protocol including the name and contact details of the carrier and a full description of the damage, signed by both, the driver and the Purchaser, under the pain of losing any further claims of complaint, which the Purchaser may have. The delivery note and the picking list not containing any remarks as to the quantity and quality of the ordered Goods constitute an evidence of execution of the Contract without any reservations from Purchaser.

3. In the case of determining any qualitative or quantitative defect of the delivered Goods, the Purchaser is obliged to secure the Goods intact, in particular to refrain from installing the defective Goods until the claim is considered by the Supplier, under pain of losing the right to any claims against Supplier.

§ 6. Complaints

1. The Parties are obliged to cooperate in the exercising the rights of complaints, in particular to ensure access to the Goods covered by the complaint in order to examine them by the Supplier or a third party appointed by it, in order to determine the validity of the complaint, including to examine whether the Goods complained of have been used in accordance with their intended purpose, in particular in accordance with the information contained in operating, assembly, maintenance instructions and documentation of the Goods, as well as to submit all documents and information necessary for the performance of the services and to enable the implementation of the selected method of redressing the reported complaint.

2. In case of determining any defects of the purchased Goods, which cannot be detected despite careful examination of the item upon receipt, the Purchaser is obliged to notify the Supplier of the defects immediately, however no later than within 7 days of their detection, in case of Goods with opaque packaging.

3. The Purchaser shall notify the Supplier of a ascertained defect in writing, containing a brief description of a defect in the Goods or in their components under pain of nullity. The written notification shall contain a brief description of the defect found by the Purchaser, together with photographic documentation documenting the goods complained of.

4. In case, it is necessary to conduct a written technical expertise or other appropriate tests conducted by an expert or institute, in order to determine the existence of a defect or its cause, the complaint will be considered after the Supplier receives the expert opinion or tests results of the Goods.

5. Examination of the Goods by the Supplier or a third party appointed by the Supplier should be evidenced by an appropriate protocol. The content of the protocol shall include comments of the Parties concerning the examined Goods.

6. The Supplier's initial reaction to the claim submitted by the Purchaser shall be made in writing or in an electronic form, at the latest within fourteen days from the date of receipt of the claim. The final response to the submitted claims shall be made within 7 (seven) days from the date of receipt by the Supplier

of the expert's opinion or test results of the Goods. Complaints as to the kind and quantity or the delivered Goods will be considered only, if the above defects have been reported immediately upon receipt of the Goods and the Purchaser fulfils all the obligations of diligence, resulting from this paragraph.

7. In case of an unfounded claim, the costs necessary to determine the existence of a defect in the Goods, including in particular the costs of an expert opinion or examination, the costs of transport of the Goods, should be borne by the Purchaser. The above costs can be covered by a separate VAT invoice issued by the Supplier.

8. In case of acknowledging the complaint as justified the Supplier may, at its discretion, replace the Goods with one defect-free, lower the price of the complained Goods, remove the defects in the applied Goods or grant appropriate compensation up to the net worth of the goods. Performance of any of the above activities exhausts all claims of the Purchaser against the Supplier.

9. Failure to report a complaint in the manner described in the foregoing paragraphs shall result in the loss of all complaint rights of the Purchaser.

10. The Supplier shall not be liable for damage caused by improper use or storage of the goods by the Purchaser, in particular in situations of:

- inappropriate transport or storage of the Goods by the Purchaser,
- installation, commissioning, operation or maintenance of the Goods not complying with the manufacturer's instruction
- other damage caused in the Goods not attributable to the manufacturer

11. Submitting a claim under the guarantee does not release the Purchaser from the obligation of timely payment of price or remuneration to the Seller.

12. The Supplier's liability under warranty for defects in the Goods is hereby excluded.

§ 7. Confidentiality and data protection

1. The Supplier acknowledges, that all technical/production, commercial and financial data disclosed to the Purchaser by the Supplier is confidential information. The Purchaser shall not disclose this confidential information to contractors and third parties and shall not use the confidential information for purposes other than those agreed by the Parties in accordance with the terms of the Contract. Upon expiration or termination of the Contract, the Parties shall return immediately and on first demand - any materials and information previously provided by the other Party, which are eligible for return. The Parties shall take all necessary measures to prevent disclosure of such material and information where such disclosure is not necessary.

2. The obligation to keep confidential information secret does not apply to information the disclosure of which is required by mandatory provisions of law binding on the Party.

3. For breach of confidentiality by the Customer, the Supplier is entitled to a contractual penalty amounting to 5% of the annual turnover with the Customer. The Supplier shall be entitled to claim the contractual penalty even if it has not suffered any damage as a result of breaching confidentiality.

4. Payment of the contractual penalty does not exclude the possibility of further claims, in particular if the Supplier suffers damage exceeding the amount of the contractual penalty.

§ 8. Force Majeure

1. The Supplier shall not be liable for non-performance or improper performance of contractual obligations if:

- the non-performance or improper performance is due to interruptions in the production process of the Goods or
- the non-performance or improper performance is due to a Force Majeure event, as referred to below and /or the provisions of generally applicable law.

2. In case of non-performance of the obligations referred to above, performance of the relevant part(s) of the Contract shall be suspended for the duration of the non-performance, whereby the

Supplier shall not be liable to the Purchaser for any resulting damage.

§ 9. Applicable law

These GTSD, the Contract and all activities connected with the sale of the Goods should be governed by Polish law.

§ 10. Information clause

1. The administrator of personal data provided by the Purchaser within the scope of the Contract is the Supplier. If within the framework of the Contract personal data of employees or co-workers of the Purchaser have been transferred, the information clause shall also apply to them and should be made available to them by the Purchaser. The data will be processed in accordance with the Directive of the European Parliament and the Council of 27 April 2016 on the protection of individuals with regard to the processing of personal data and on the free movement of such data and repealing of the Directive 95/46/EC (hereinafter GDPR, RODO).

2. Personal data provided by the Purchaser will be processed for the purpose of performing the Contract, execution of other performances on the basis of the consent given by the Purchaser, for the purpose of fulfilling obligations arising from universally binding regulations incumbent on the Supplier and for the purposes arising from legally justified interests realized by the Supplier, in particular for the purpose of performance of the Contract, processing of complaints and determination, investigation and defense of mutual claims - in accordance with Article 6.1 (a), (b), (c) and (f) of GDPR (RODO).

3. The Purchaser's personal data will be processed for the duration of the Contract or until the expiration of mutual claims arising from the Contract or for the period required by generally applicable law.

4. The recipients of the Purchaser's personal data will be entities related to the Supplier, providing services for the Supplier and entities cooperating with the Supplier.

5. Personal data collected from Purchaser will not be transferred to affiliates of the Supplier outside the European Union or the European Economic Area. If it becomes necessary to transfer Purchaser's personal data to other entities, the Supplier will ensure that special safeguards in the form of model clauses are in place and will ensure, that an adequate level of data protection is applied to protect the data.

6. The Purchaser has the right to access the content of his data and the right to rectify, erase, limit processing of its data portability, the right to object, the right to withdraw consent at any time without affecting the legality of the processing, which was carried out on the basis of consent before its withdrawal.

7. The Purchaser has the right to lodge a complaint to the supervisory authority in the case that it considers, that the processing of personal data of Purchaser violates the provisions of GDPR (RODO) or other provisions specifying the manner of processing and protection of personal data.

8. Providing personal data by the Purchaser is voluntary and results from the concluded Contract and the conducted economic cooperation, and the consequence of failing to provide data may be partial or complete inability

to perform the Contract by the Supplier. The personal data provided by the Purchaser may be used to make decisions in an automated manner on the basis of personal data processed with the performance of the Contract by the Supplier, as a consequence of such processing, it will be possible to determine the Purchaser's personal preferences and behaviour on the basis of personal data and the history of the Purchaser's business relationship with the Supplier. The profiling will be used for the purpose of preparing and presenting to the Purchaser an individually tailored marketing offer.

9. The Purchaser may contact the Supplier's Data Protection Officer by sending a message to the e-mail address: biuro@wita.pl or by sending a letter to the address: WITA Spółka z ograniczoną odpowiedzialnością, ul. Biznesowa 22, 86-005 Zielonka.

10. Additional information on the processing of personal data of the Purchaser in connection with the implementation of GDPR (RODO) is available in the Privacy Policy available on <http://wita.pl/ogolne-warunki-handlowe>. In case of any questions please contact the Supplier's Customer Service Office: biuro@wita.pl

§ 11. Export of Goods

1. The Goods marked with the trademarks of the Supplier and exported by the Purchaser outside the borders of Republic of Poland cannot be marked with the trademarks of the Purchaser, its labels, emblems or in any other way indicate the connection of the Purchaser with the Goods. In the case if the Purchaser has infringed the above prohibition, the Supplier may request from the Purchaser to pay a contractual penalty in the amount of 100% of the net price of the Goods, which have infringed the prohibition. The payment of contractual penalty shall be made within 7 days from the date of receiving a written payment reminder by the Purchaser to the account of the Delivery indicated in the content of the reminder.

2. In case of breach of prohibition described in § 10.1 the net worth net worth of the Goods shall be determined according to the net worth in force at the time of confirmation by the Supplier of the order placed by the Purchaser for this contract.

§ 12. Amendments to GTSD

1. The supplier may unilaterally amend the GTSD during the validity period of the Contract, which shall not constitute an amendment to the Contract.

2. Amendments to the GTSD will be posted on the Supplier's website at: <http://www.wita.pl/ogolne-warunki-handlowe> (in the form of an up-to-date consolidated text), the Purchaser shall be informed about it each time via e-mail.

3. The Supplier may make unilateral changes referred to § 7.1 in the form of a notice sent by e-mail. The supplier shall indicate in the notification when the introduced changes become effective.

4. If the Purchaser does not accept the changes to the GTSD, it should terminate the Contract by notice within 14 days from the date of posting information about the amendments to these GTSD. Failure to termination of the Contract by the Purchaser shall be deemed as acceptance of the current content of GTSD.

§ 13. Electronic invoices

1. The Purchaser hereby accepts the issue and transmission of VAT invoices in electronic form in PDF format via e-mail. These invoices will be treated as originals.

2. The Purchaser hereby accepts that duplicates and corrections of the VAT invoices will be sent in electronic form in PDF format, from the address: ksiegowosc@wita.pl, secured with an electronic signature, verified by means of a non-qualified certificate, to the e-mail address of the Purchaser indicated in the Contract or a separate agreement of the Parties or a written Order. The duplicates and corrections of VAT invoices transmitted in this manner shall be treated as originals.

3. In the case, that formal and technical obstacles prevent issuing and sending invoices, duplicates or corrections in electronic form in the manner specified above, than invoices shall be sent by electronic mail on terms separately agreed upon by the Supplier and Purchaser or in paper form.

§ 14. Final Provisions

1. The Supplier reserves all proprietary rights, copyrights and other rights to documents related to the Goods (e.g. photographs, drawings, descriptions). They may be made available to third parties only if they are expressly intended for onward transmission; in all other cases with the knowledge and prior consent of the Supplier.

2. All disputes or differences of opinion in connection with these GTSD and the Contract shall be resolved before a competent common court for the seat of the Supplier.

3. The Purchaser irrevocably and unconditionally authorises the Supplier to make, after prior notification to the Purchaser and regardless of the date of debts maturity towards the Supplier, a deduction of the Purchaser's claims towards the Supplier with the Supplier's claims towards the Purchaser under the Contract.

4. The Supplier may assign its rights and obligations under GTSD and the Contract without the consent of the Purchaser.

5. The Supplier, in order to secure the receivables due to it from the Purchaser, may insure them in the company specializing in insuring receivables. The Purchaser is then obliged to undergo the verification procedure of the Insurer.

6. The transfer of rights and obligations resulting from the Contract by the Purchaser to a third party requires a prior consent of the Supplier expressed in writing, under pain of nullity. The Supplier, when consenting to transfer the rights and obligations under the Contract to a third party, may make its consent subject to fulfilment of certain conditions by the Purchaser making the transfer.

7. The Purchaser declares, that he will meet and implement all the provisions relating to health and safety at work, transport of hazardous materials, health of employees, protection of the environment and other entities or things, that may be exposed in connection with the implementation of the Contract.

8. If particular provisions of the GTSD were not applicable to the Purchaser, this shall not affect the validity of the remaining provisions of the GTSD.

9. The Purchaser shall be obliged to inform the Supplier in writing under pain of nullity about all changes, that may hinder the performance of the provisions of the Contract/GTSD, in particular about changes of its address data.

10. GTSD shall become binding for the Parties of the Contract upon its conclusion, subject to the regulations contained in § 12 of GTSD.

Payment and delivery conditions on demand.

The terms of delivery and payment of company WITA® apply. Production-related deviations in dimensions and designs as well as technical changes and errors excepted.

ORIGINAL ONLY WITH THE DIAMOND



WITA - Wilhelm Taake GmbH

Böllingshöfen 85 | D-32549 Bad Oeynhausen
Tel.: +49 5734 512380 | Fax: +49 5734 1752
www.wita.de | info@wita.de



WITA sp. z o. o.

Zielonka, ul. Biznesowa 22 | 86-005 Białe Błota
Tel.: +48 52 564 09 00 | Fax: +48 52 564 09 22
www.wita.pl | info@wita.pl

